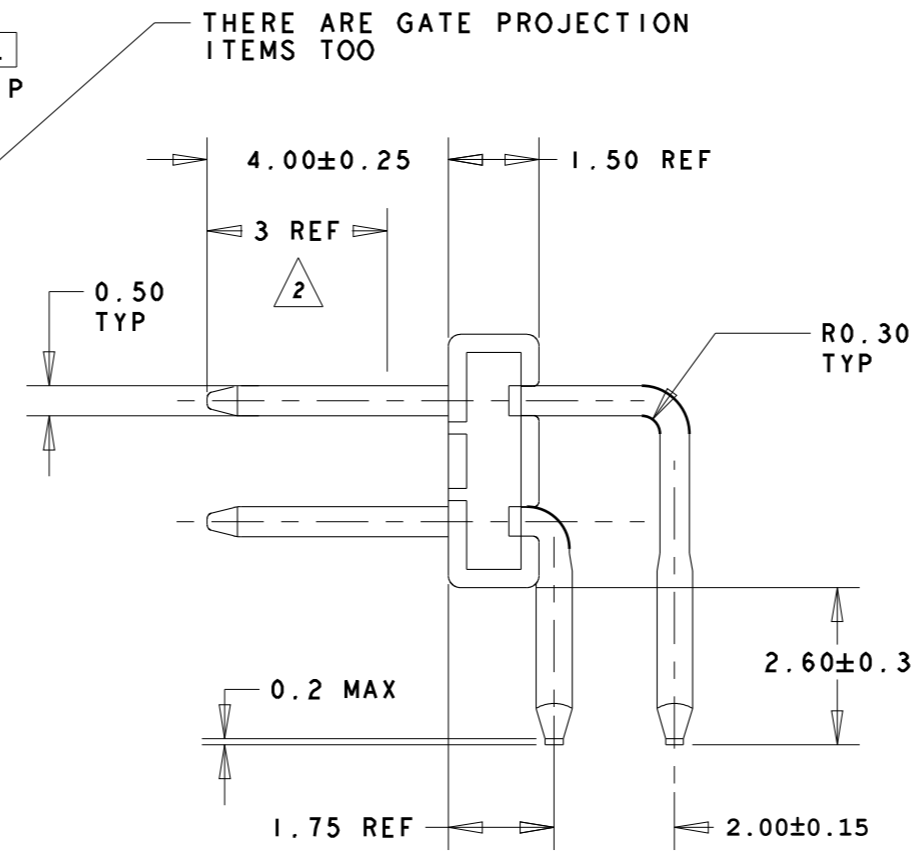
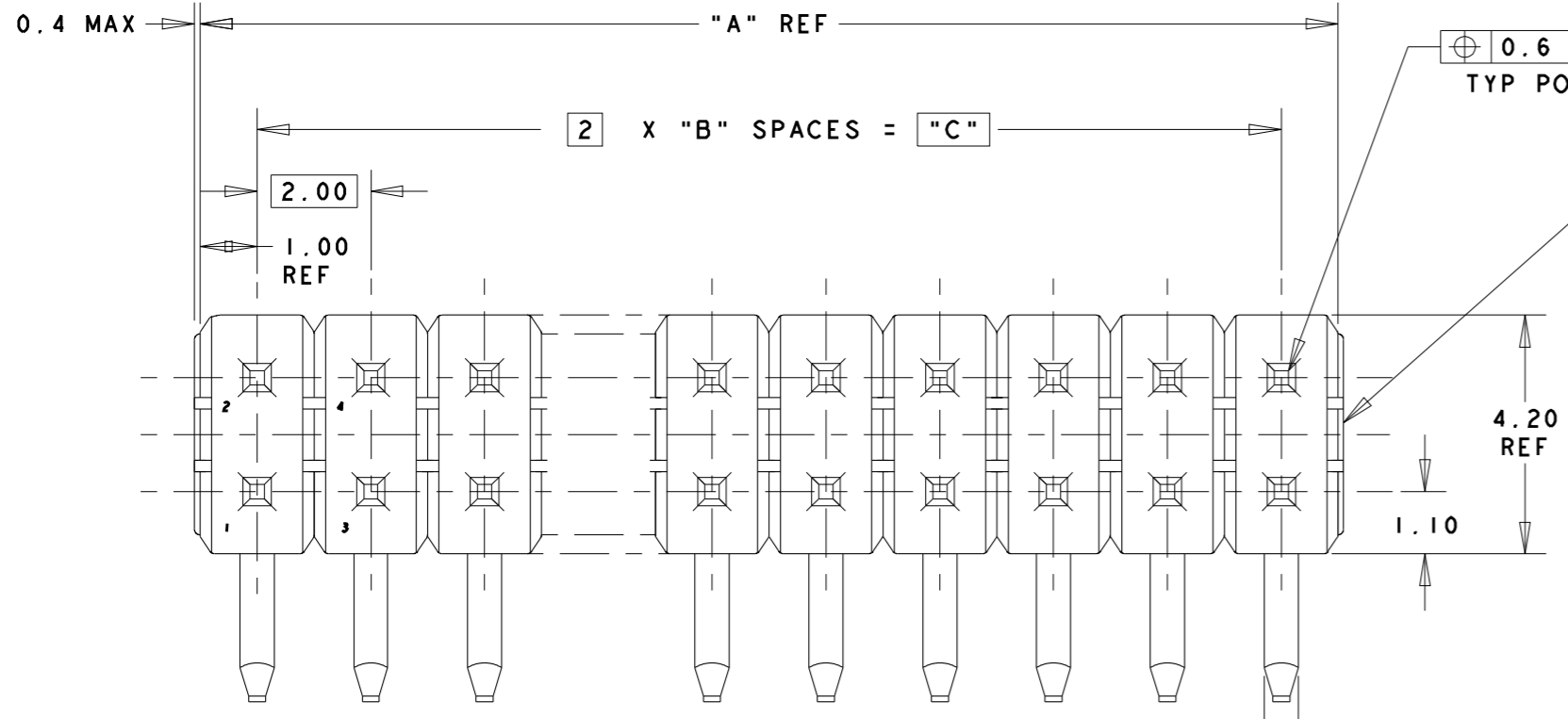
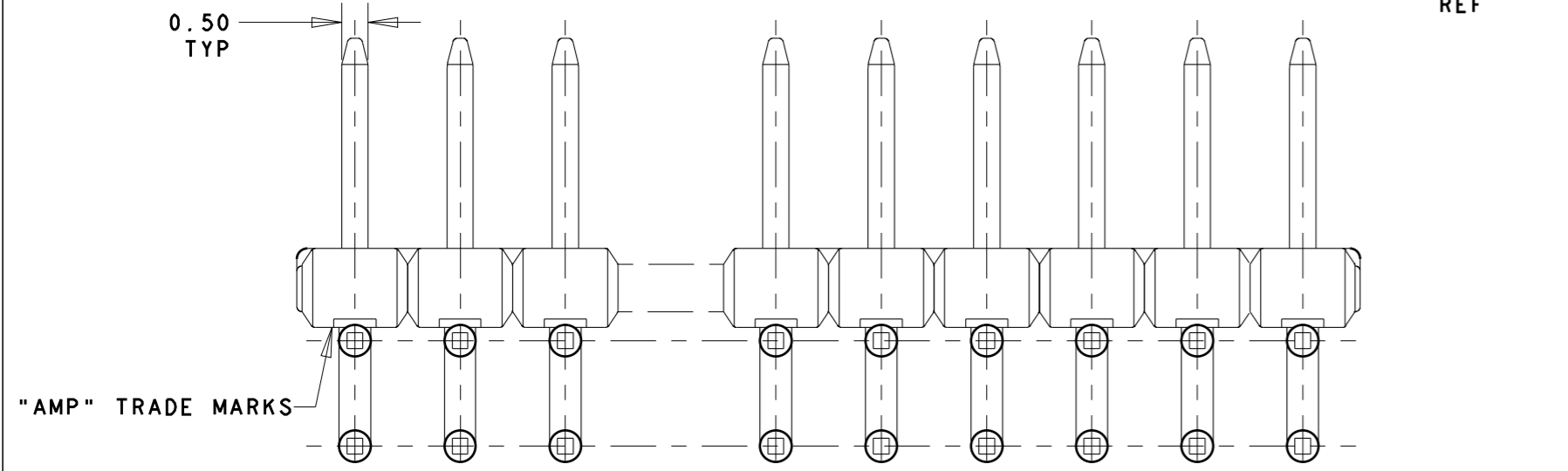


THIS DRAWING IS UNPUBLISHED. RELEASED FOR PUBLICATION .19
 BY AMP INCORPORATED. ALL RIGHTS RESERVED.

LOC	DIST	REVISIONS			
P	LTR	DESCRIPTION	DATE	DWN	APVD
DY	-	A1	REVISED PER ECO-15-001759	16FEB2015	NK JO

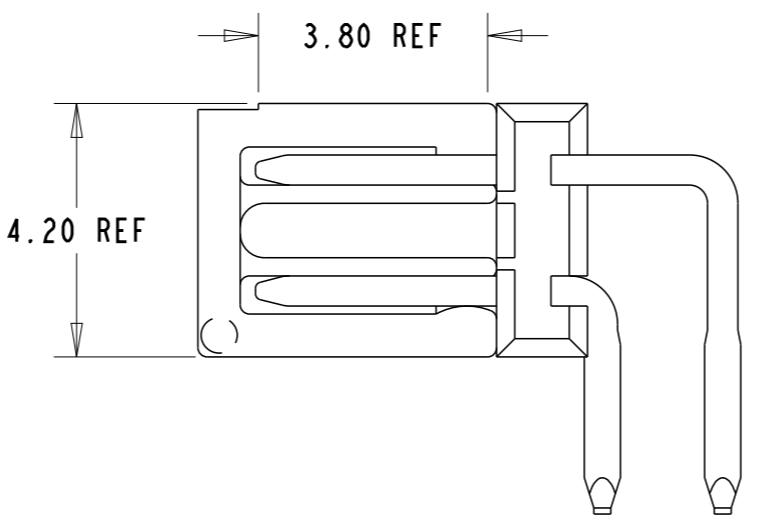
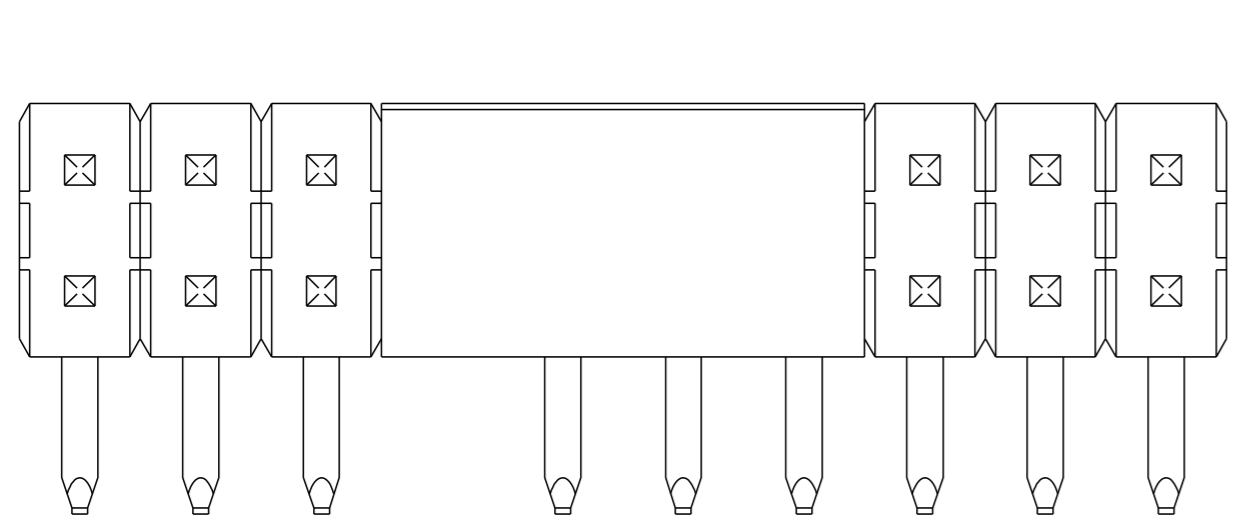
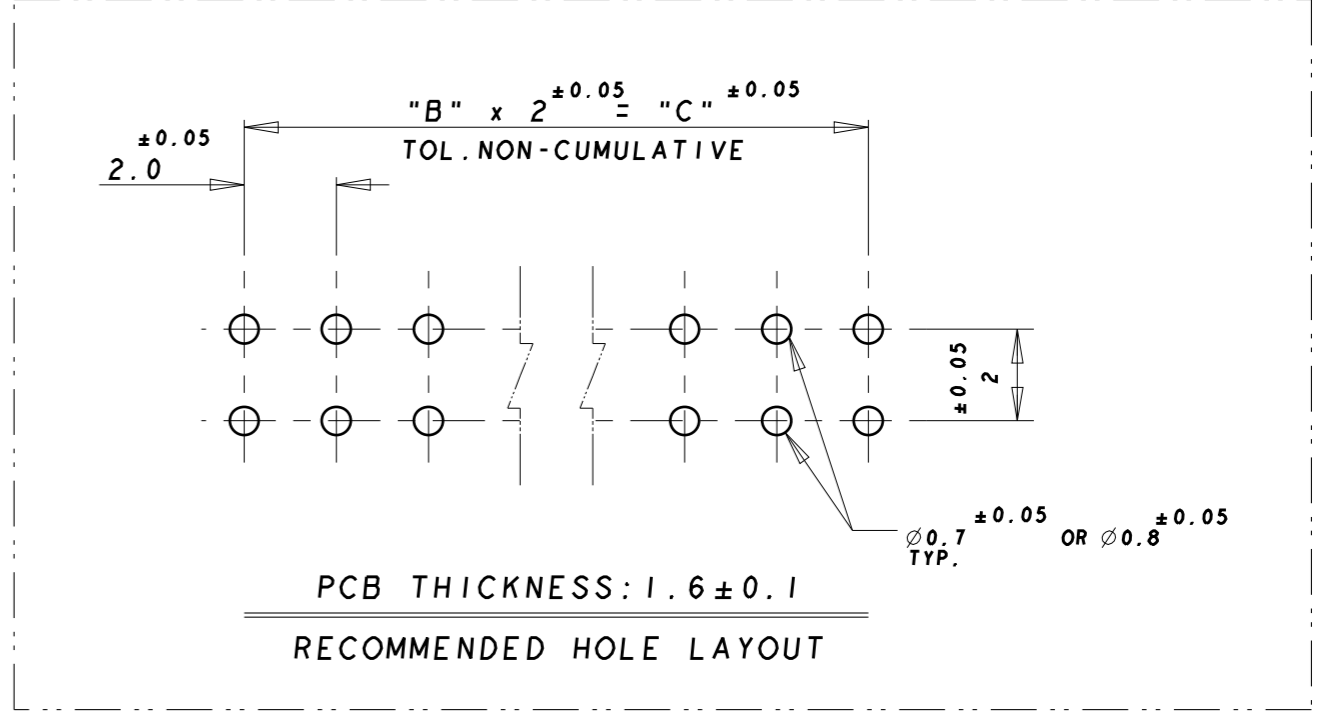
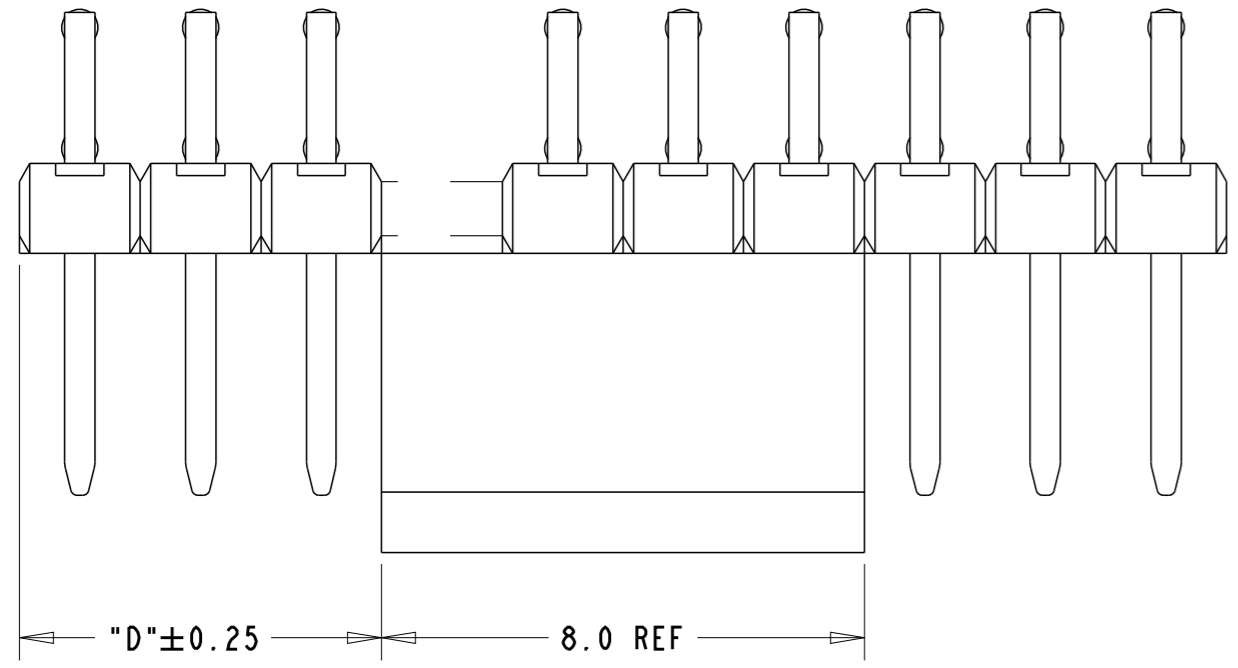


- NOTES:
- 1 MATERIALS:
 HOUSING : THERMOPLASTIC, HI-TEMP, UL 94V-0, BLACK
 PICKUP CAP: THERMOPLASTIC, HI-TEMP, UL 94V-0, BLACK
 POST : COPPER ALLOY
 - 2 FINISH:
 CONTACT AREA: GOLD 0.0002 MIN. ON
 NICKEL 0.0013 MIN. ALL OVER
 POST TINE : MATTE TIN 0.001 MIN.
 - 3 PICKUP CAP IS AT MID-LENGTH OF CONNECTOR.
 - 4 PICKUP CAP IS OFF MID-LENGTH OF CONNECTOR.



AS SHOWN WITHOUT PICKUP CAP FOR CLARITY.

AS SHOWN WITH PICKUP CAP.

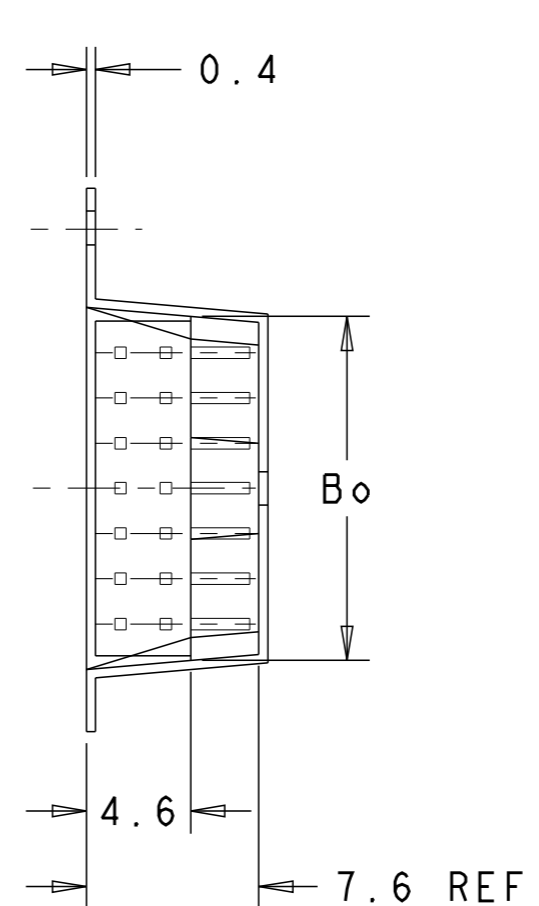
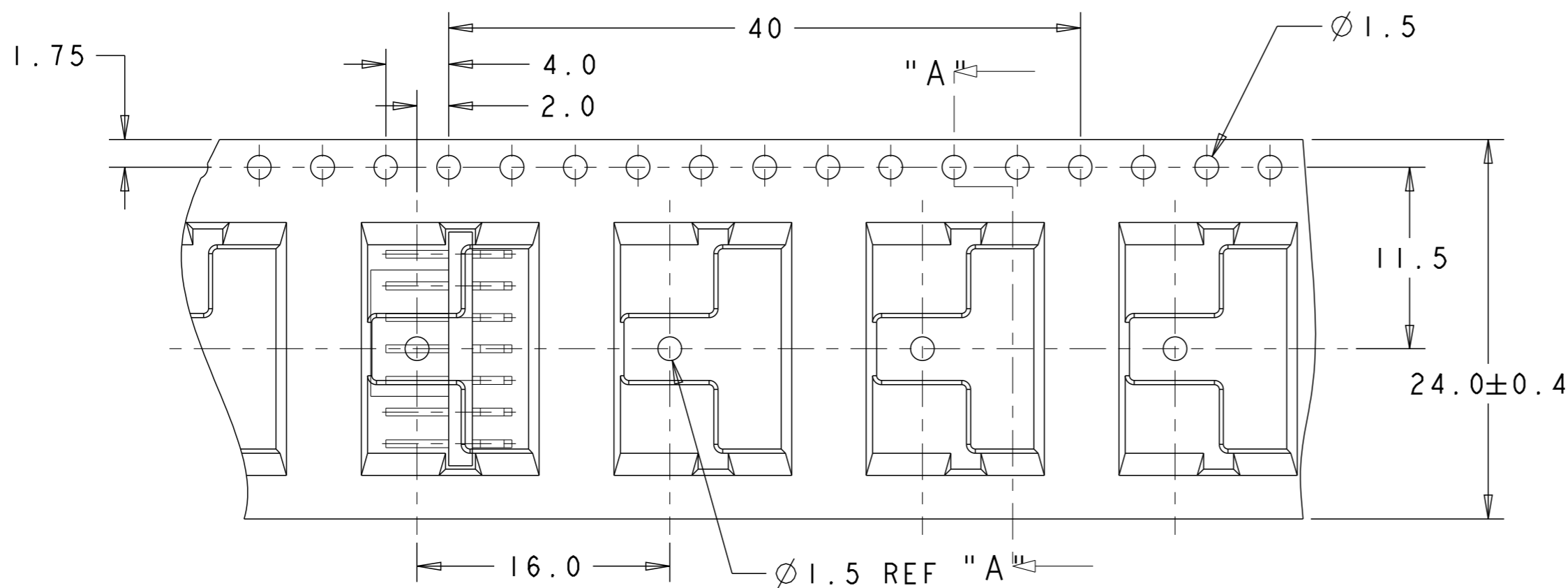


4	2	12	6	14	14	1-1735919-4
3	2	10	5	12	12	1-1735919-2
REMARKS	"D"	"C"	"B"	"A"	NO OF POS	ASSY PN

THIS DRAWING IS A CONTROLLED DOCUMENT FOR AMP INCORPORATED. IT IS SUBJECT TO CHANGE AND THE CONTROLLING ENGINEERING ORGANIZATION SHOULD BE CONTACTED FOR THE LATEST REVISION.		DWN WYLEE	07MAR2005	TE Connectivity Singapore		
DIMENSIONS: mm		CHK VINCENT TAN	NAME AMPMODU 2mm PITCH POST HEADER, DOUBLE ROW, HORI. TYPE, L=2.6, HI-TEMP, WITH PICKUP CAP IN TAPE n REEL			
TOLERANCES UNLESS OTHERWISE SPECIFIED: 0 PLC ±0.25 1 PLC ±0.2 2 PLC ±0.2 3 PLC ± 4 PLC ± ANGLES ±3° FINISH		APVD SF LEONG	DRAWING NO A2 00779 C-1735919			
MATERIAL		PRODUCT SPEC	SIZE	CAGE CODE	SCALE	SHEET 1 OF 2
1		APPLICATION SPEC	WEIGHT	REV A1		
		2	CUSTOMER DRAWING			

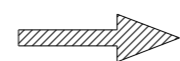
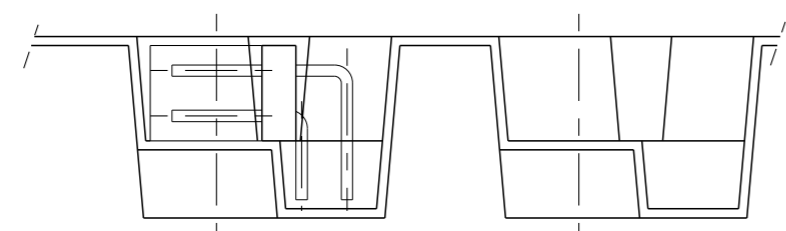
THIS DRAWING IS UNPUBLISHED. RELEASED FOR PUBLICATION .19
 BY AMP INCORPORATED. ALL RIGHTS RESERVED.

LOC	DIST	REVISIONS			
P	LTR	DESCRIPTION	DATE	DWN	APVD
DY	-	SEE SHEET 1	-	-	-



NOTES

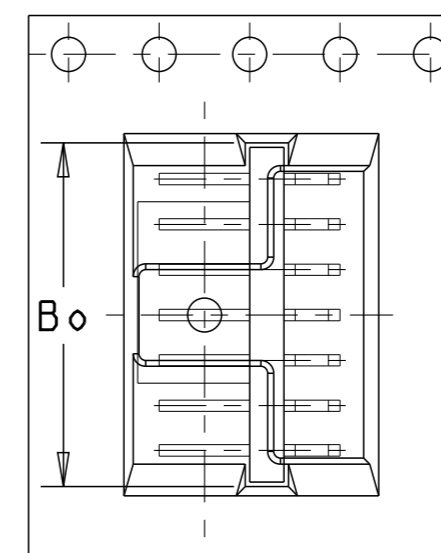
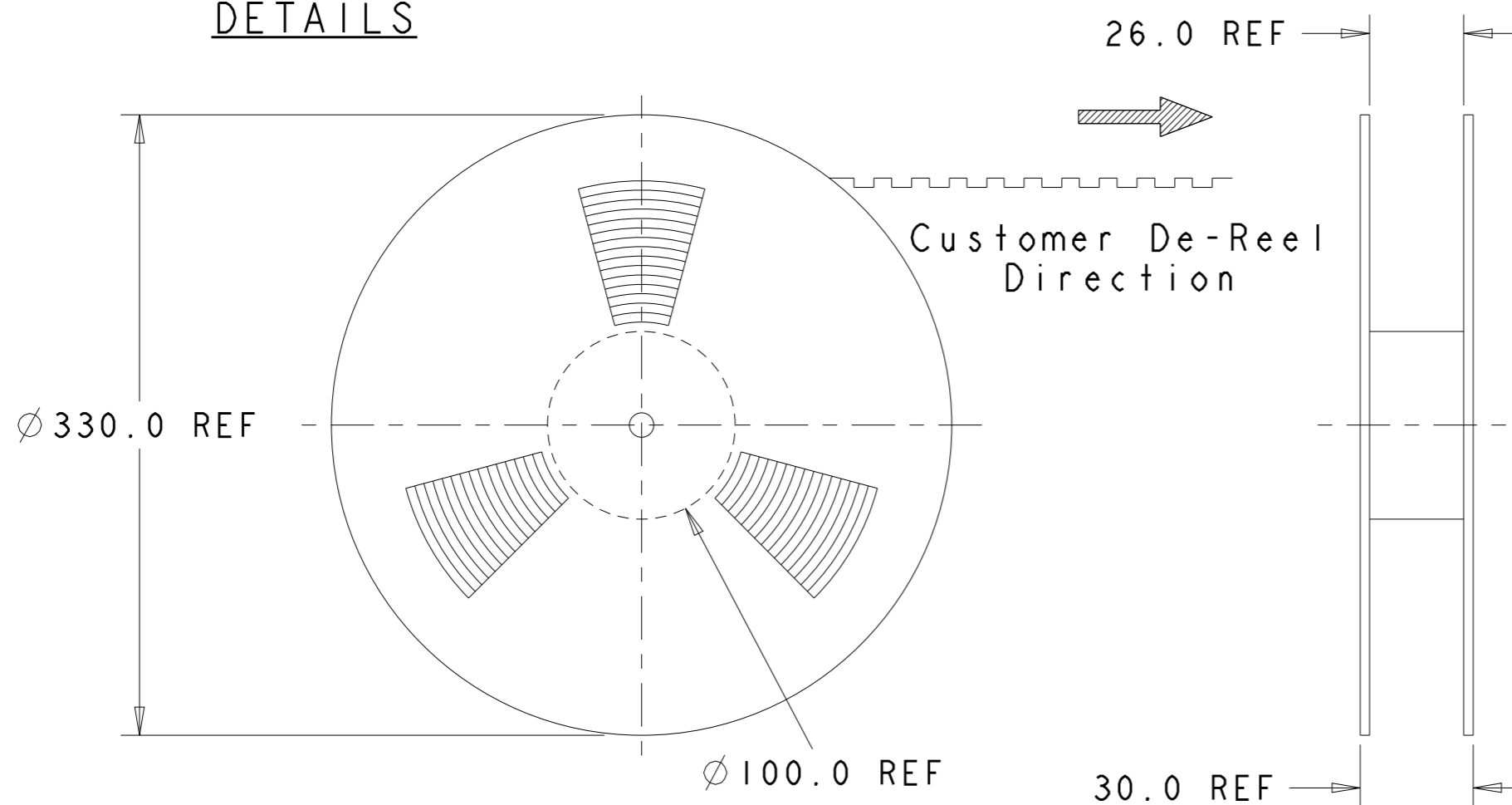
- 11. MATERIALS:
 CARRIER TAPE : PS, BLACK, STATIC DISSIPATIVE
 COVER TAPE : PET, CLEAR
 REEL : PS, WHITE/BLACK, ANTI-STATIC
- 12. 475 POCKETS/REEL; 400 COMPONENTS/REEL



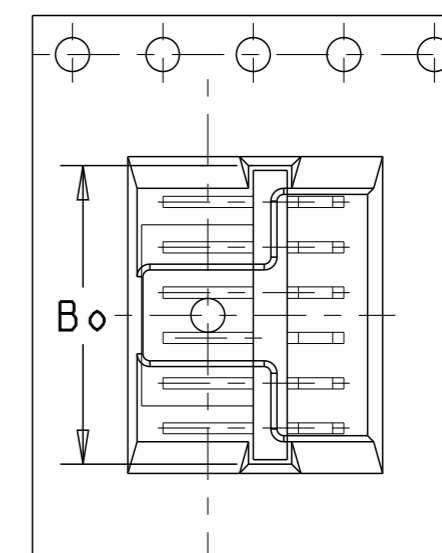
Customer De-reel Direction

SECTION A-A

PLASTIC REEL DETAILS



AS SHOWN FOR PN 1--4



AS SHOWN FOR PN 1--2.

PN 1-1735919-4 AS SHOWN FOR EXAMPLE.

4	15.2	14	1-1735919-4
3	13.2	12	1-1735919-2
REMARKS	"Bo"	NO OF POS	ASSY PN

<small>THIS DRAWING IS A CONTROLLED DOCUMENT FOR AMP INCORPORATED. IT IS SUBJECT TO CHANGE AND THE CONTROLLING ENGINEERING ORGANIZATION SHOULD BE CONTACTED FOR THE LATEST REVISION.</small>		DWN WYLEE 07MAR2005 CHK VINCENT TAN APVD SF LEONG PRODUCT SPEC - APPLICATION SPEC - WEIGHT - CUSTOMER DRAWING	TE Connectivity Singapore NAME AMPMODU 2mm PITCH POST HEADER, DOUBLE ROW, HORI. TYPE, L=2.6, HI-TEMP, WITH PICKUP CAP IN TAPE n REEL SIZE A2 CAGE CODE 00779 DRAWING NO C-1735919
DIMENSIONS: mm 	TOLERANCES UNLESS OTHERWISE SPECIFIED: 0 PLC ±0.25 1 PLC ±0.2 2 PLC ±0.2 3 PLC ± 4 PLC ± ANGLES ±3° FINISH	SCALE - SHEET 2 OF 2 REV A1	