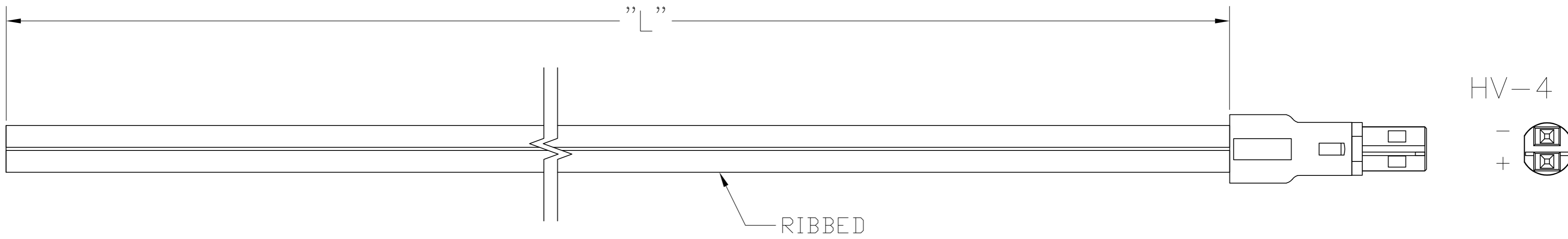


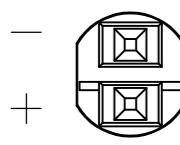
THIS DRAWING IS UNPUBLISHED. RELEASED FOR PUBLICATION  
 © COPYRIGHT - By - ALL RIGHTS RESERVED.

LOC	DIST	REVISIONS			
P	LTR	DESCRIPTION	DATE	DWN	APVD
GP	00	A	INITIAL RELEASE	01/AUG/11	ECC PB



RIBBED

HV-4

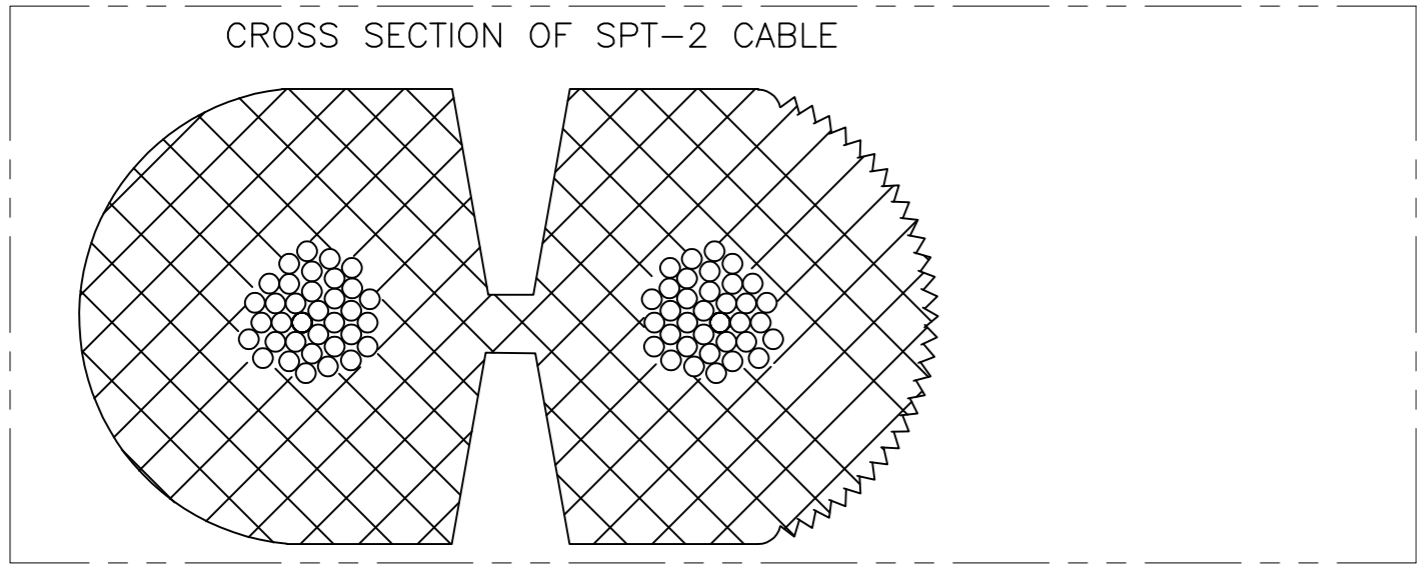


WIRING SCHEDULE		
	SIDE	PLUG
+	RIBBED	1
-	SMOOTH	2

3

1. PACKAGING ACC. TO TE SPEC.107-18032  
BUNDLE EVERY 25 ASSEMBLIES WITH A RUBBER BAND
2. ELECTRICAL TEST CONTAINING "SHORT CIRCUIT TEST, CONTINUITY AND ACCURATE CAVITY ASSIGNMENT TEST" ACC. TO TE-SPEC.108-18857, SUBSECTION 3.1.1

3 WIRING SCHEDULE AS SHOWN



16.0 FT	±3.84	2181194-8
14.0 FT	±3.36	2181194-7
12.0 FT	±2.88	2181194-6
10.0 FT	±2.4	2181194-5
8.0 FT	±1.92	2181194-4
6.0 FT	±1.44	2181194-3
4.0 FT	±.96	2181194-2
2.0 FT	±.48	2181194-1
"L"	TOLERANCES [INCHES]	TE P/N

THIS DRAWING IS A CONTROLLED DOCUMENT.		DWN E.C. CLAYBAUGH 17/JUN/11	<b>TE</b> TE Connectivity	
DIMENSIONS: INCHES		CHK P. BECKER 13/JUL/11		
TOLERANCES UNLESS OTHERWISE SPECIFIED:		APVD P. BECKER 01/AUG/11	NAME CABLE ASSEMBLY, NECTOR, HV-4, PLUG - PIGTAIL	
0 PLC ± - 1 PLC ± - 2 PLC ± - 3 PLC ± - 4 PLC ± - ANGLES ± -		PRODUCT SPEC -	-	
MATERIAL		APPLICATION SPEC -	SIZE A2	CAGE CODE 00779
FINISH		WEIGHT -	DRAWING NO C=2181194	RESTRICTED TO -
CUSTOMER DRAWING			SCALE N.T.S.	SHEET 1 of 1

2181194

A