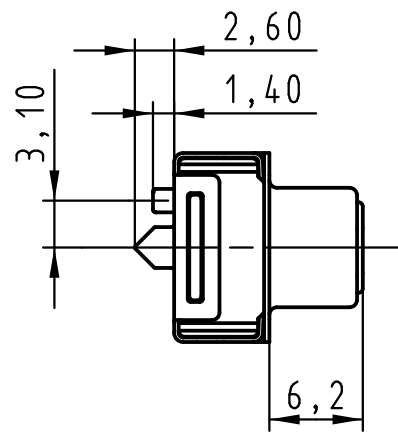
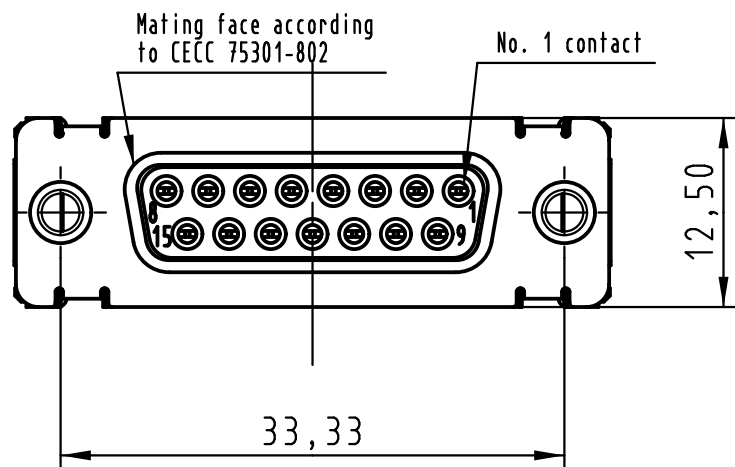
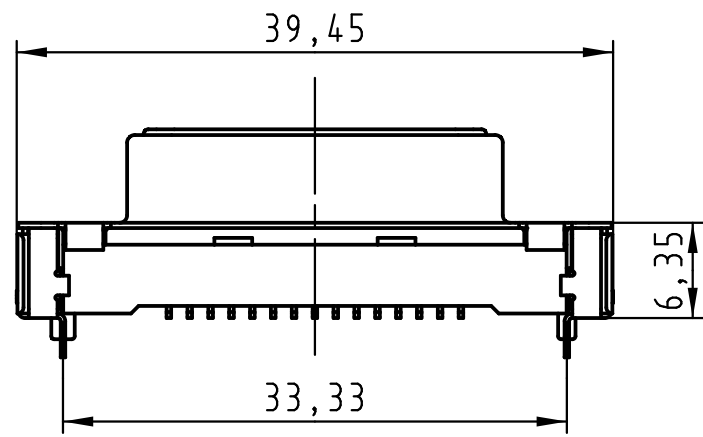
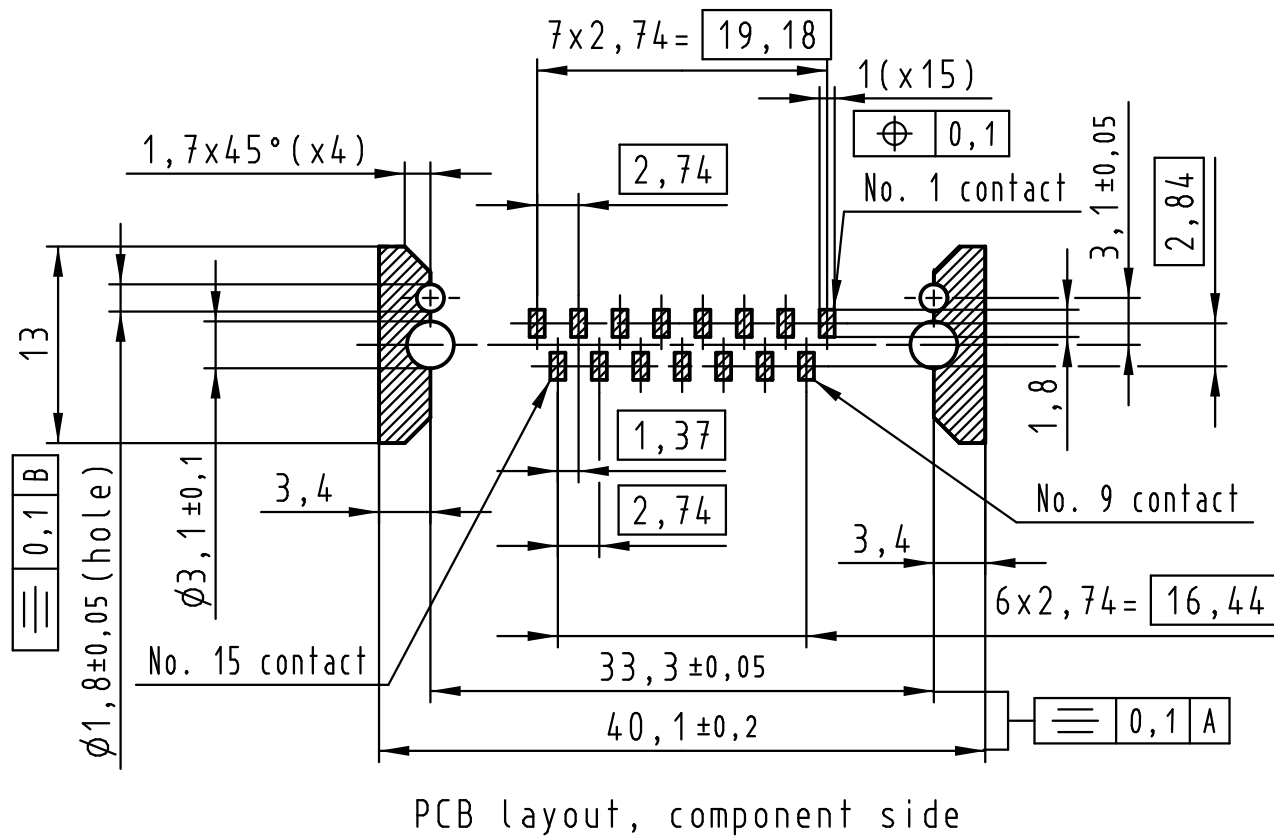
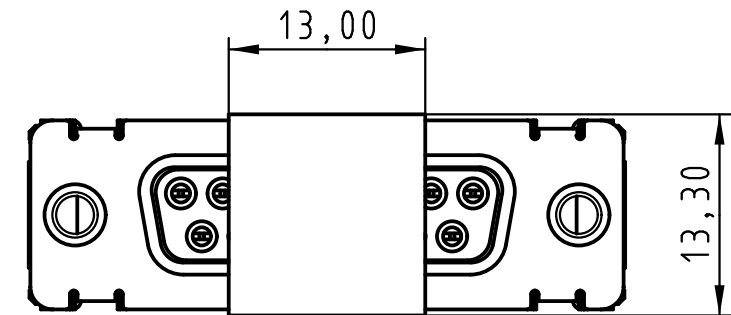
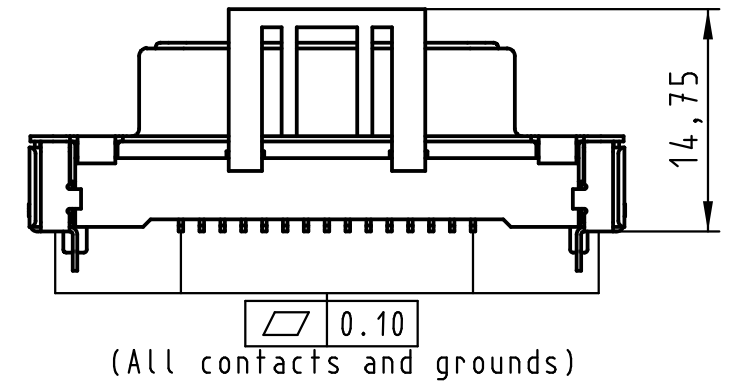


All rights reserved



Load vacuum cover



Max. Temperature: 260° during 10 seconds.

0955 255 3611 741	1	M3	Black insulator	Reel Packaging: 140 connectors (See details on page2/2)										
0955 255 3612 741	1	4-40 UNC												
0955 255 6611 741	2	M3												
0955 255 6612 741	2	4-40 UNC												
0955 255 7611 741	3	M3												
0955 255 7612 741	3	4-40 UNC												
Part number	PL	Nut	Index designation											
		Techn. Character.		Free size tolerances										
		<table border="1"> <tr> <th>Dat.</th> <th>Name</th> <th>Scale</th> </tr> <tr> <td>Detail.</td> <td>25-Oct-11 Johnson.S</td> <td rowspan="3">2:1</td> </tr> <tr> <td>Insp.</td> <td>17-Nov-11 Steven.W</td> </tr> <tr> <td>Stand.</td> <td>17-Nov-11 Steven.W</td> </tr> </table>		Dat.	Name	Scale	Detail.	25-Oct-11 Johnson.S	2:1	Insp.	17-Nov-11 Steven.W	Stand.	17-Nov-11 Steven.W	D-Sub SMT, 15 poles Female, Straight with nuts and ground pins
Dat.	Name	Scale												
Detail.	25-Oct-11 Johnson.S	2:1												
Insp.	17-Nov-11 Steven.W													
Stand.	17-Nov-11 Steven.W													
EC04070 Mod.	17-Nov-11 Dat.	Johnson.S Name	Zhuhai HARTING Limited TB 09 55 255 x61x Sub.											
			Page 1/2											

1 2 3 4 5 6 7 8

A

B

C

D

E

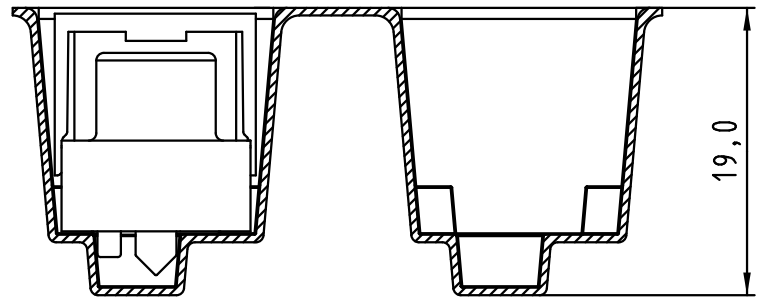
A

B

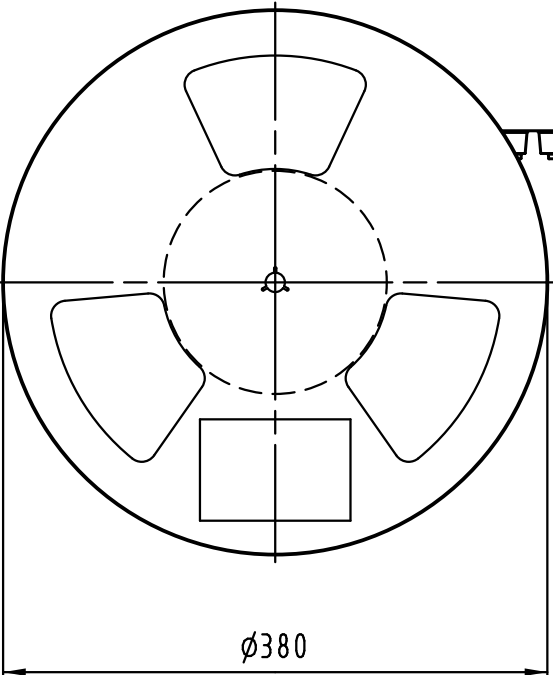
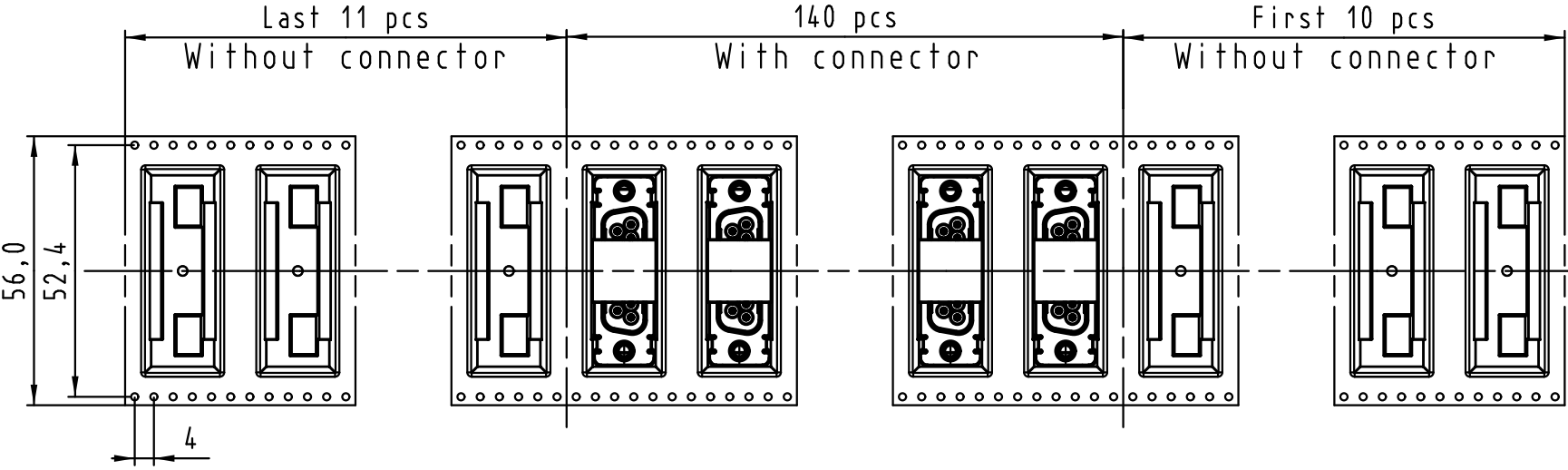
C

D

E

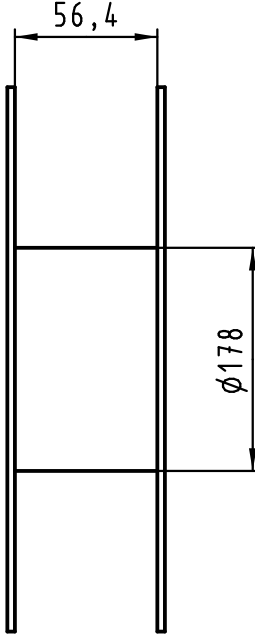


Detail A



Detail A

Direction of unreeling



See TB 09 55 255 x61x folio 1/2 for connector dimensions and PCB layout

Packaging in accordance with EIA 481-2.

0955 255 3611 741	1	M3	Black insulator	Reel Packaging: 140 connectors
0955 255 3612 741	1	4-40 UNC		
0955 255 6611 741	2	M3		
0955 255 6612 741	2	4-40 UNC		
0955 255 7611 741	3	M3		
0955 255 7612 741	3	4-40 UNC		
Part number	PL	Nut	Index designation	

All Dimensions in mm Original Size DIN A 3	Techn. Character.			Free size tolerances	
		Dat.	Name	D-Sub SMT, 15 poles Female, Straight with nuts and ground pins	
		Detail.	25-Oct-11 Johnson.S		
		Insp.	17-Nov-11 Steven.W		
	Stand.	17-Nov-11 Steven.W	Scale		
EC04070	17-Nov-11	Johnson.S	Zhuhai HARTING Limited		TB 09 55 255 x61x
Mod.	Dat.	Name			Sub.

All rights reserved