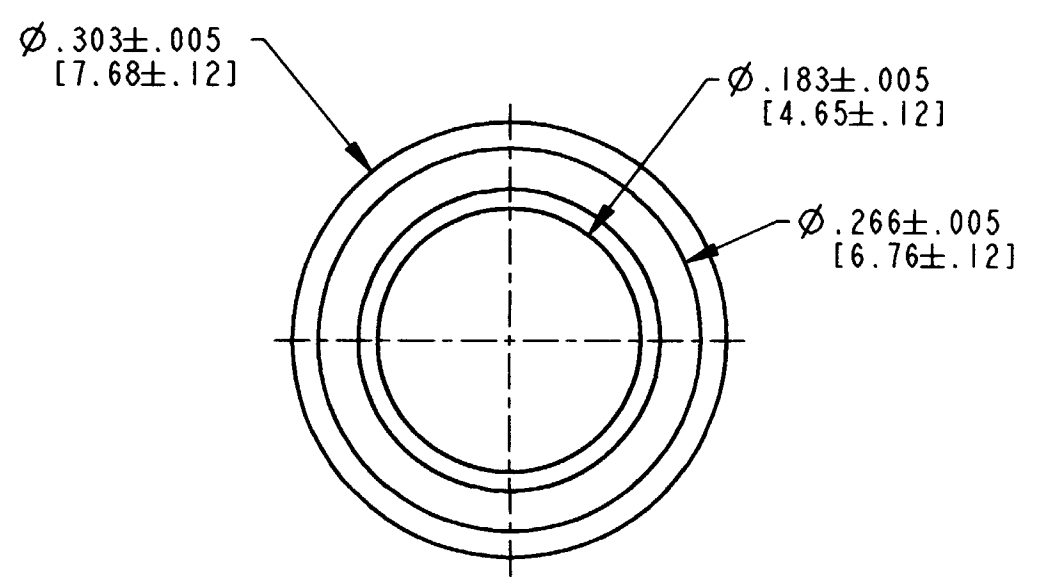
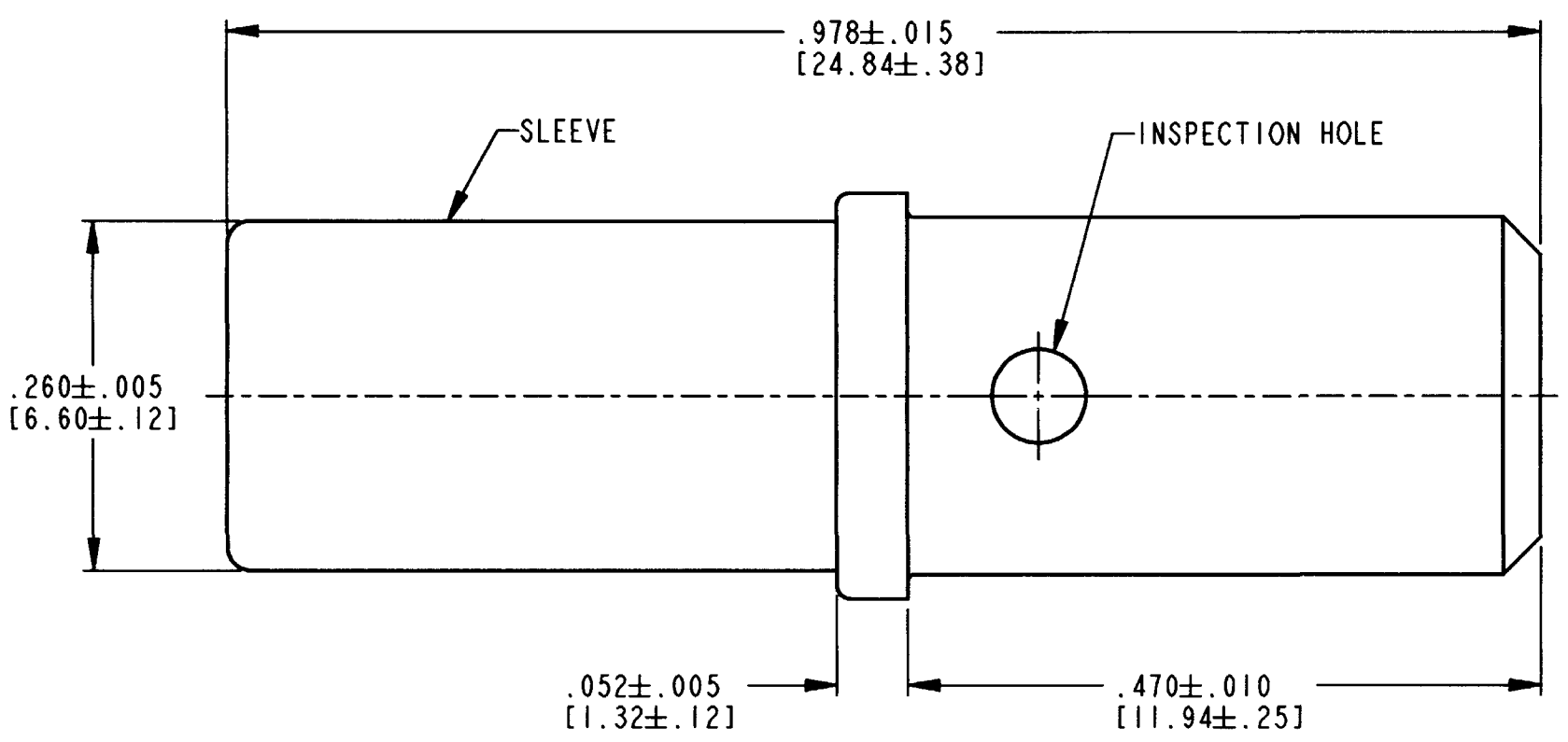


REV
NC 0462-203-08**

REVISIONS			
SYM	DESCRIPTION	DATE	APPROVED
NC	NEW RELEASE PER E.O. P17010	12-19-00	RDR



4. FOR CONTACT PERFORMANCE AND APPLICATION CHARACTERISTICS SEE DRAWING 0425-015-0000.
3. THIS CONTACT MAY BE CRIMPED WITH HDP-400 POWER CRIMPER OR HDT-04-08 HAND TOOL. SEE DRAWING 0425-205-0000 FOR APPLICABLE WIRE SIZE AND CRIMP INFORMATION.
2. WHEN ** = 141: PLATING IS NICKEL.
1. DIMENSIONS ARE IN INCHES [mm].

NOTES: UNLESS OTHERWISE SPECIFIED

SIGNATURE & DATE	
DR	D. MEYER 11/29/00
CHK	R. Reed 12/18/00
PE	D. Meyer 12/13/00
APPD	R. Reed 12-19-00
SCALE	NONE WT

CONTACT SOCKET
SIZE 8

ENVELOPE

CP	MATL. CODE
The Deutsch Company DEUTSCH I.P.D. 3850 INDUSTRIAL AVE. HEMET, CALIF. 92545	
B 0462-203-08**	
DWG SIZE	CODE 11139 SHEET OF