

SAFETY ORGANIZATION(S):

THIS FILTER HAS BEEN FORMALLY RECOGNIZED, CERTIFIED OR APPROVED BY THE LISTED AGENCY. THEREFORE, ALL TEST/REQUIREMENTS SPECIFIED IN THE LATEST REVISION OF THE FOLLOWING AGENCY STANDARDS HAVE BEEN MET:

- UL RECOGNIZED
- UL 1283
- CSA CERTIFIED
- CSA 22.2, NO.0,0.4,8
- VDE APPROVED
- VDE 565-3

OPERATING SPECIFICATIONS:

- LINE VOLTAGE/CURRENT:
- 10 AMP., 120/250 VAC
- 8 AMP./40°C, 250 VAC
- 50-60Hz
- LINE FREQUENCY:
- .75mA @ 120V 60Hz
- 1.25mA @ 250V 50Hz
- MAX. LEAKAGE CURRENT, EACH LINE TO GROUND
- OPERATING AMBIENT TEMP. RANGE:
- 10°C TO +40°C @ RATED CURRENT, I_r

IN AN AMBIENT, T_a, HIGHER THAN 40°C, THE MAXIMUM OPERATING CURRENT, I_o, IS AS FOLLOWS:

$$I_o = I_r \sqrt{\frac{85-T_a}{45}}$$

RELIABILITY SPECIFICATIONS:

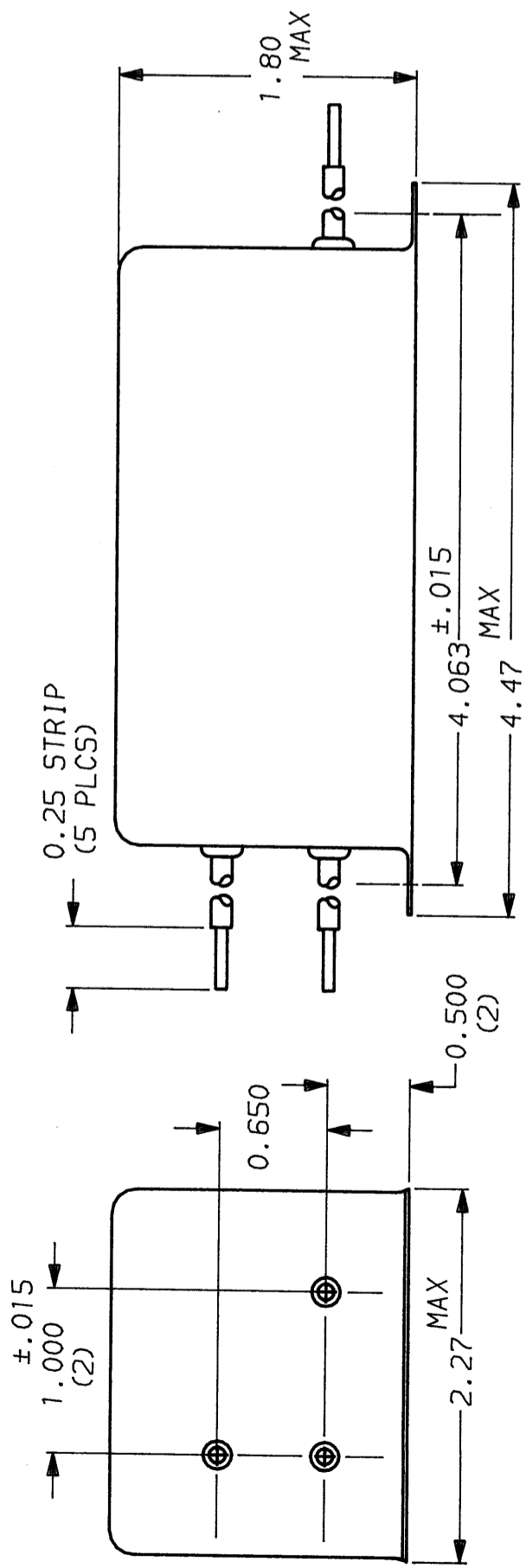
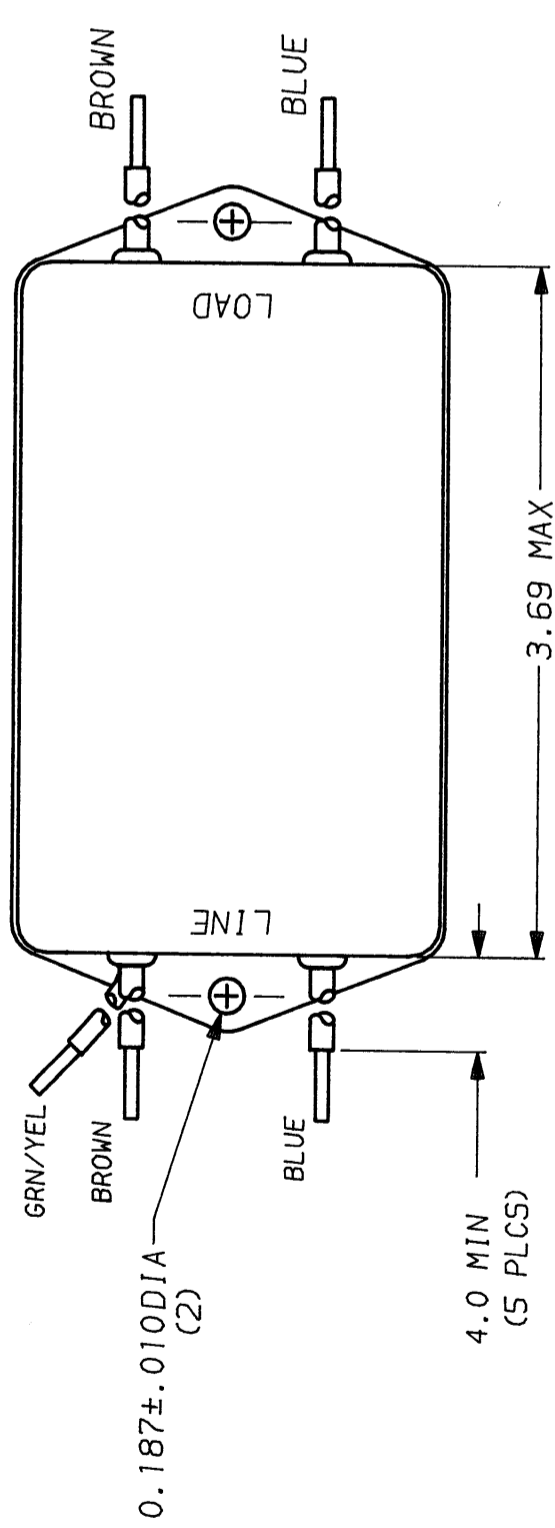
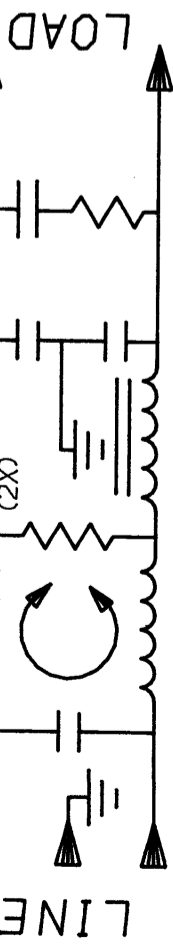
- STORAGE TEMPERATURE:
- 25°C TO +85°C
- HUMIDITY:
- 21 DAYS @ 40°C 95% RH
- CURRENT OVERLOAD TEST:
- 6 TIMES RATED CURRENT FOR 8 SECONDS
- TEST SPECIFICATIONS:
- INDUCTANCE:
- L-9.5mH NOMINAL
- N-9.57mH NOMINAL
- CAPACITANCE: (MEASURED @ 1 KHz, 0.25 VAC MAX., 25°C ±1°C)
- LINE TO GROUND:
- .01µF ±20%
- LINE TO LINE:
- 1.77µF ±20%
- DISCHARGE RESISTOR:
- 165KΩ
- LINE/GROUND AND LINE/LINE INSULATION RESISTANCE (W/O DISCHARGE RESISTOR)
- 6000 MΩ (MIN) AT 100 VDC
- 20°C AND 50% RH

RECOMMENDED RECEIVING INSPECTION HIPOT:

- LINES TO GROUND:
- 2250 VDC FOR 1 MINUTE
- LINE TO LINE:
- 1450 VDC FOR 1 MINUTE

FILTER APPROVAL:

THE BEST WAY TO SELECT AND QUALIFY A FILTER IS FOR YOUR ENGINEERING TO TEST THE UNIT IN YOUR EQUIPMENT.



50Ω - 50Ω (MINIMUM) INSERTION LOSS											
FREQUENCY MHZ	.01	.02	.05	.15	.50	1.0	2.0	5.0	10	20	30
COMMON	12	18	26	38	52	50	50	50	50	50	50
DIFF. dB	7	8	17	52	70	70	65	65	65	60	65

This document is proprietary to CORCOM INC. and is not to be reproduced nor used for manufacturing purposes except on CORCOM's order or prior written consent.

TOLERANCE EXCEPT AS NOTED
 DECIMAL: .XXX .XX .X ANGLES ± 1°
 ENGLISH: ±.025
 METRIC: ±
 MATERIAL: AS SUPPLIED

LIBERTYVILLE, IL 60048

POWER LINE FILTER

SCALE	DATE	DRG. NO.	REV.
NTS	5-12-88	10VT3.01	
DRW. BY	ORIGINATOR		
TDL	CW		