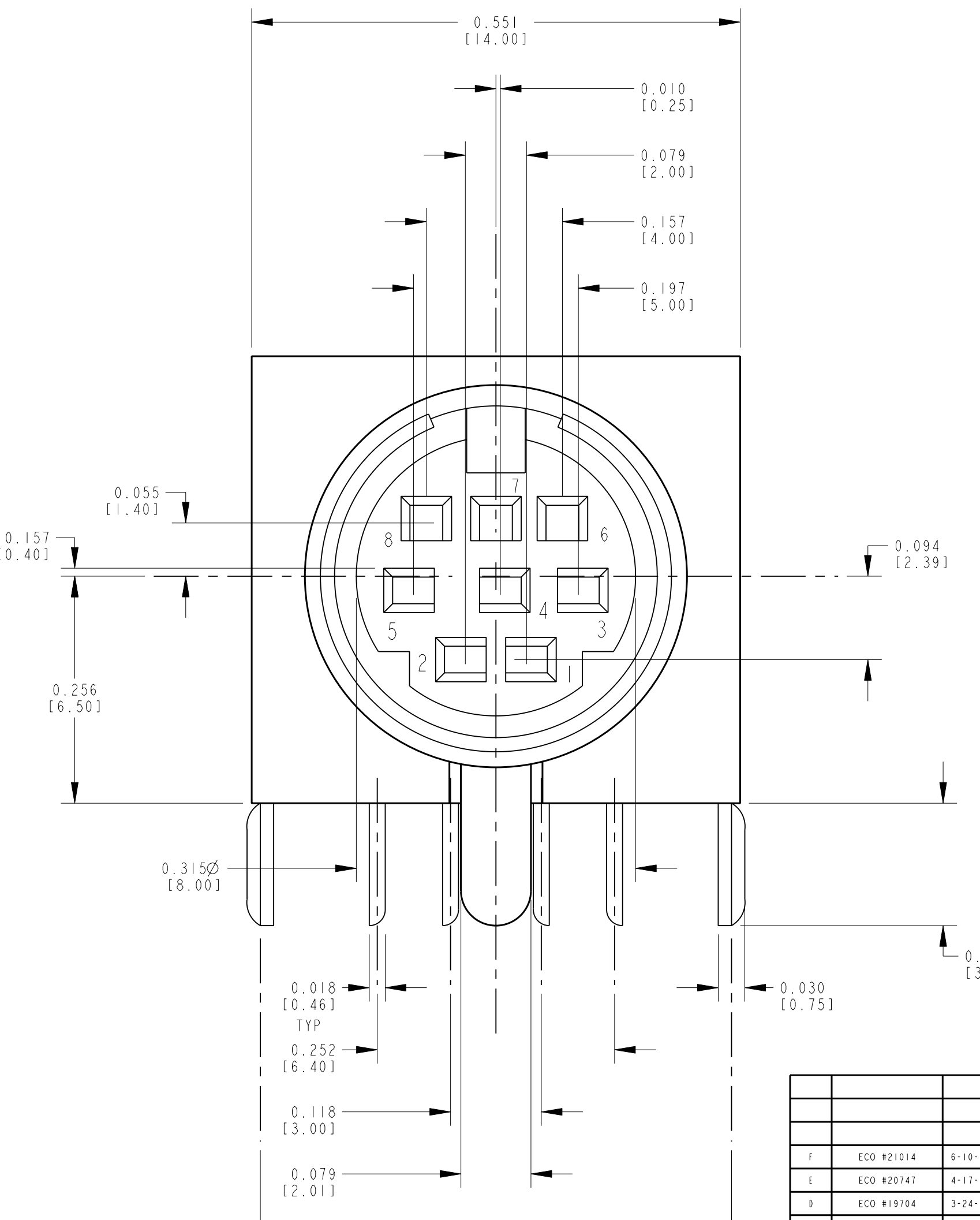
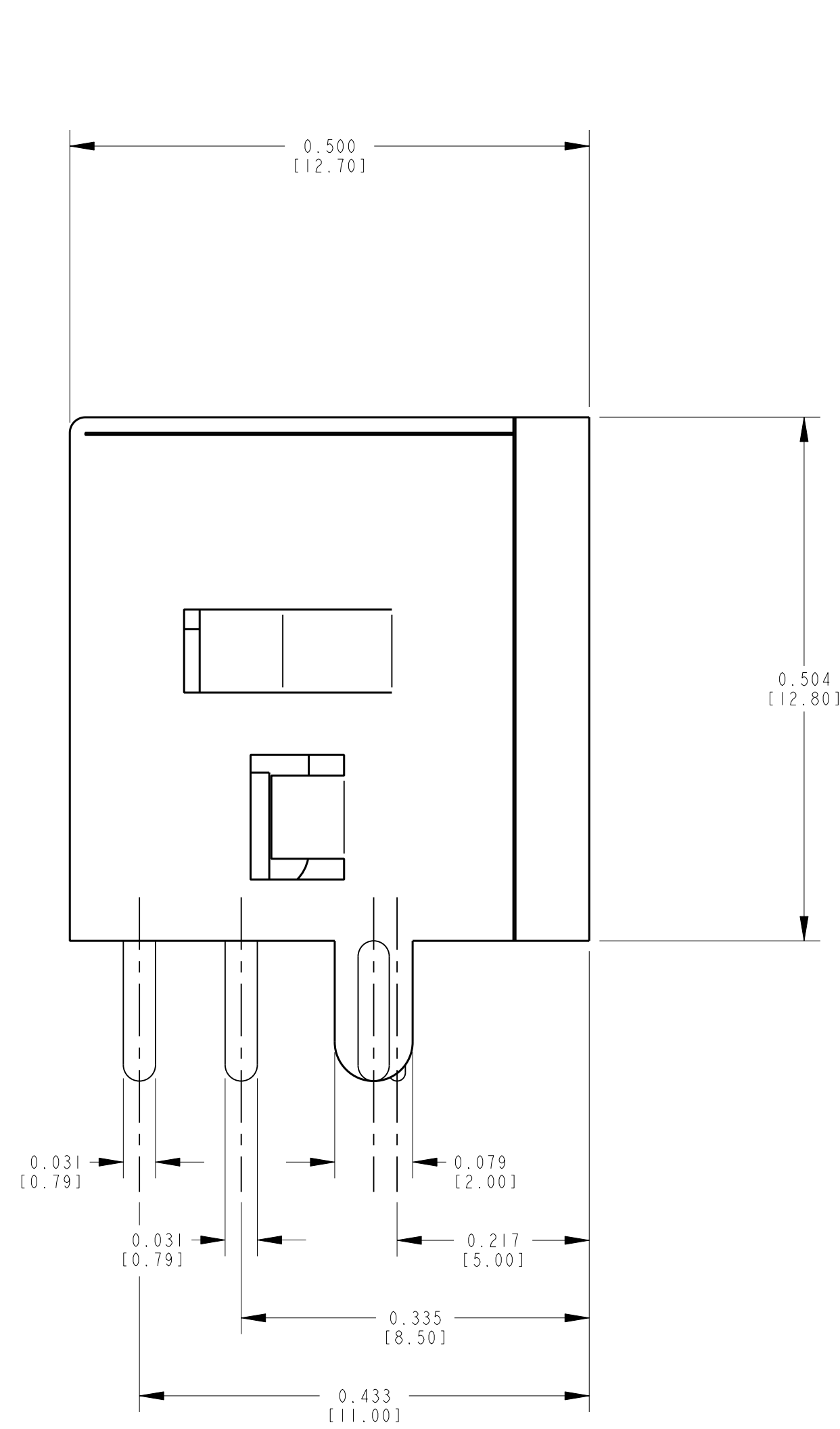


SWITCHCRAFT CATALOG PART NUMBER

SILVER PLATED CONTACT	S-MD3FRA111	SILVER PLATED CONTACT	S-MD4FRA111	SILVER PLATED CONTACT	S-MD5FRA111	SILVER PLATED CONTACT	S-MD6FRA111	SILVER PLATED CONTACT	S-MD7FRA111	SILVER PLATED CONTACT	S-MD8FRA111
FRONT FACE OF CONTACTS		FRONT FACE OF CONTACTS		FRONT FACE OF CONTACTS		FRONT FACE OF CONTACTS		FRONT FACE OF CONTACTS		FRONT FACE OF CONTACTS	
RECOMMENDED P.C. BOARD LAYOUT (SOLDER SIDE) SCALE: 1:1.375		RECOMMENDED P.C. BOARD LAYOUT (SOLDER SIDE) SCALE: 1:1.375		RECOMMENDED P.C. BOARD LAYOUT (SOLDER SIDE) SCALE: 1:1.375		RECOMMENDED P.C. BOARD LAYOUT (SOLDER SIDE) SCALE: 1:1.375		RECOMMENDED P.C. BOARD LAYOUT (SOLDER SIDE) SCALE: 1:1.375		RECOMMENDED P.C. BOARD LAYOUT (SOLDER SIDE) SCALE: 1:1.375	



CURRENT CARRYING CAPACITY

1A, 100V AC
2A, 12V DC
INSULATION RESISTANCE: 50M Ω MIN
DIELECTRIC STRENGTH: 250V DC/1 MINUTE
CONTACT RESISTANCE: 30m Ω MAX I
INSERTION FORCE: 0.8-5 KG / 1.76-11lb
EXTRACTION FORCE: 0.8-4 KG / 1.76-8.8lb

CUSTOMER DRAWING
 CAD/CAM DWG. NO. SMD3-SMD8FRA111_CD
 SHEET 1 OF 1

THIS DRAWING DESCRIBES A DESIGN CONSIDERED PROPRIETARY IN NATURE, DEVELOPED AND MANUFACTURED BY SWITCHCRAFT INC. AND IS RELEASED ON A CONFIDENTIAL BASIS FOR IDENTIFICATION PURPOSE ONLY.

ECO #21014	6-10-96	DEA	KS
ECO #20747	4-17-96	DEA	KS
ECO #19704	3-24-95	RC	GHJ
FIRST DRAW	9-7-90	SG	EB

STAR SYMBOL DENOTES CRITICAL DIMENSION. SEE SPC ENGINEERING STANDARD ES-0001 UNLESS OTHERWISE SPECIFIED.

FINISH	SILVER PLATE	MATERIAL	
SPEC. NO.		SPEC. NO.	
FIRST USED ON		SCALE	NTS
DATE DRAWN	9-7-90	BY	SG
CHK'D	EB	APP'D	DV
DATE	10-9-90	DATE	10-9-90
NAME	MINI DIN	PART NO.	SMD3/SMD8FRA111
ISSUE		ISSUE	F

DO NOT SCALE DRAWING

Pro/Engineer CAD File ROUTING

Mouser Electronics

Authorized Distributor

Click to View Pricing, Inventory, Delivery & Lifecycle Information:

[Switchcraft:](#)

[SMD4FRA111](#)