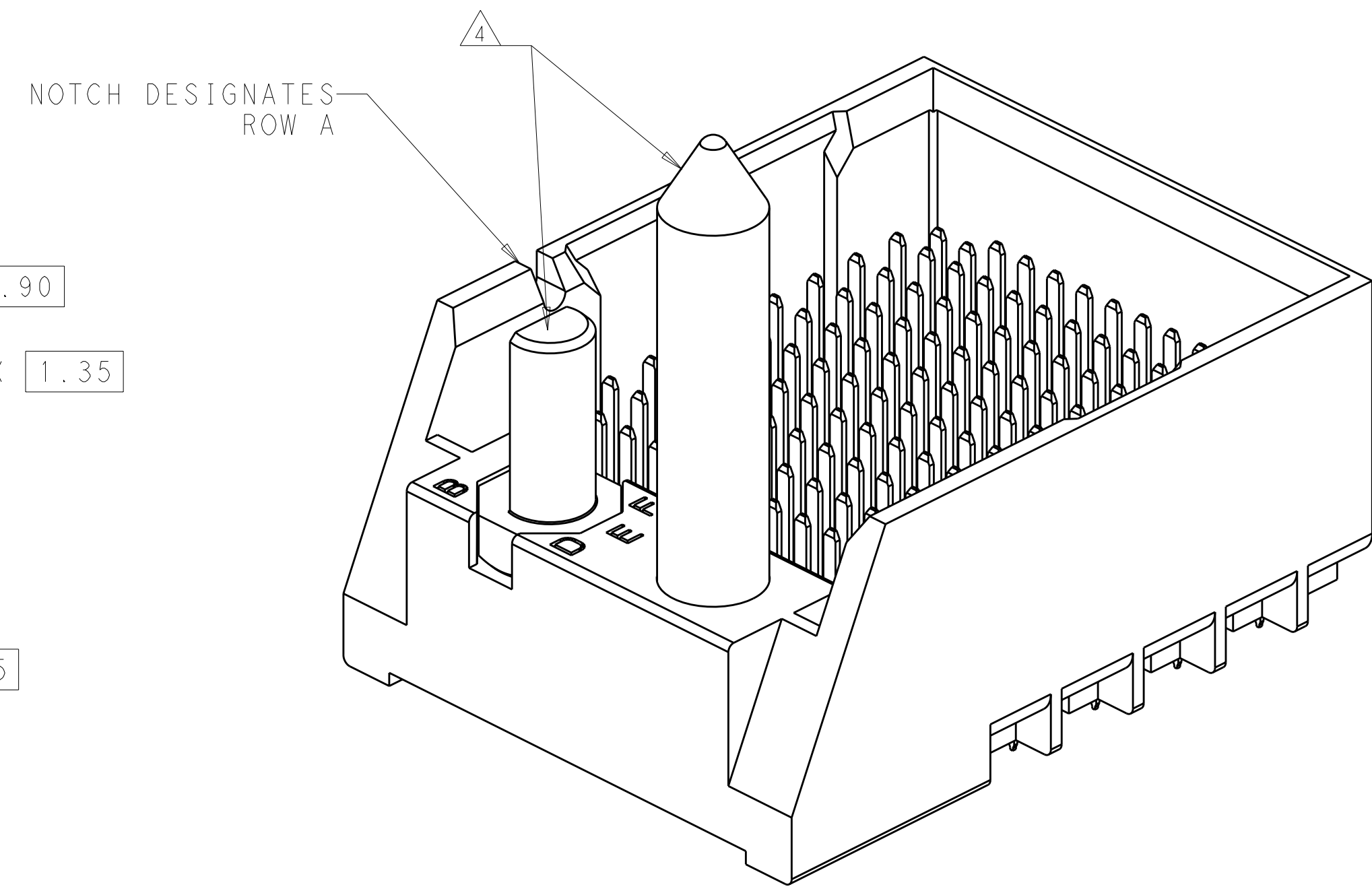
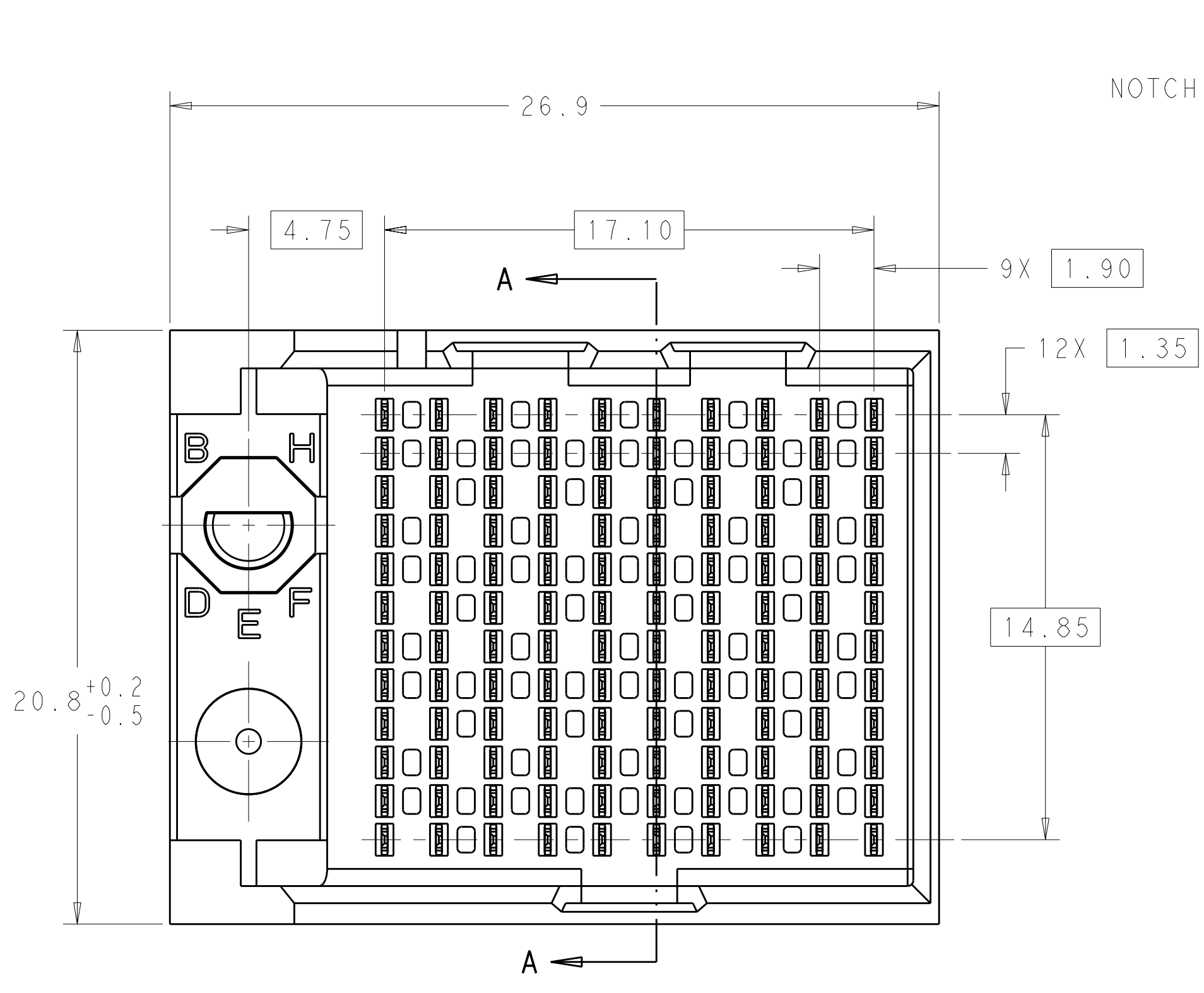
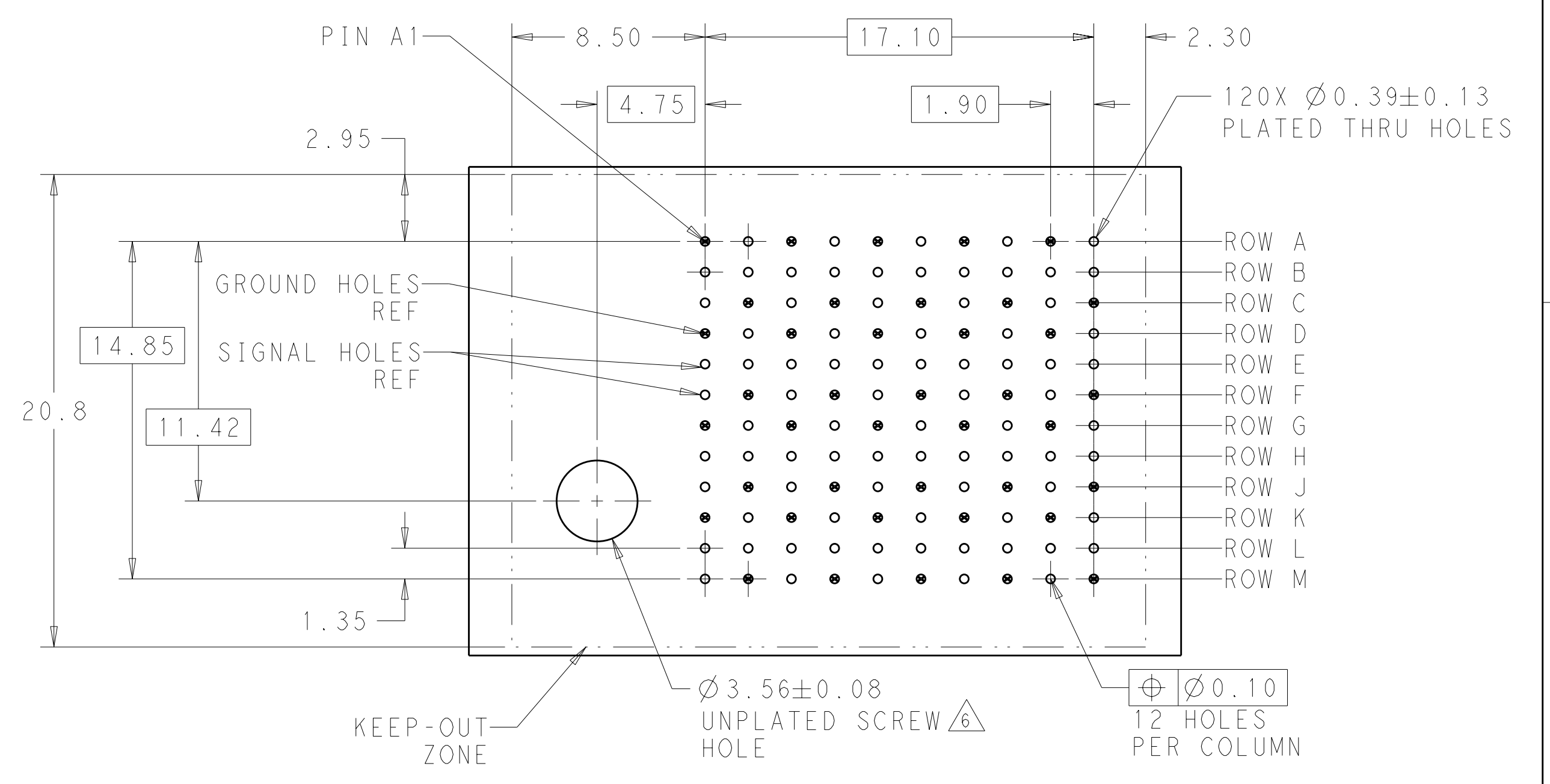


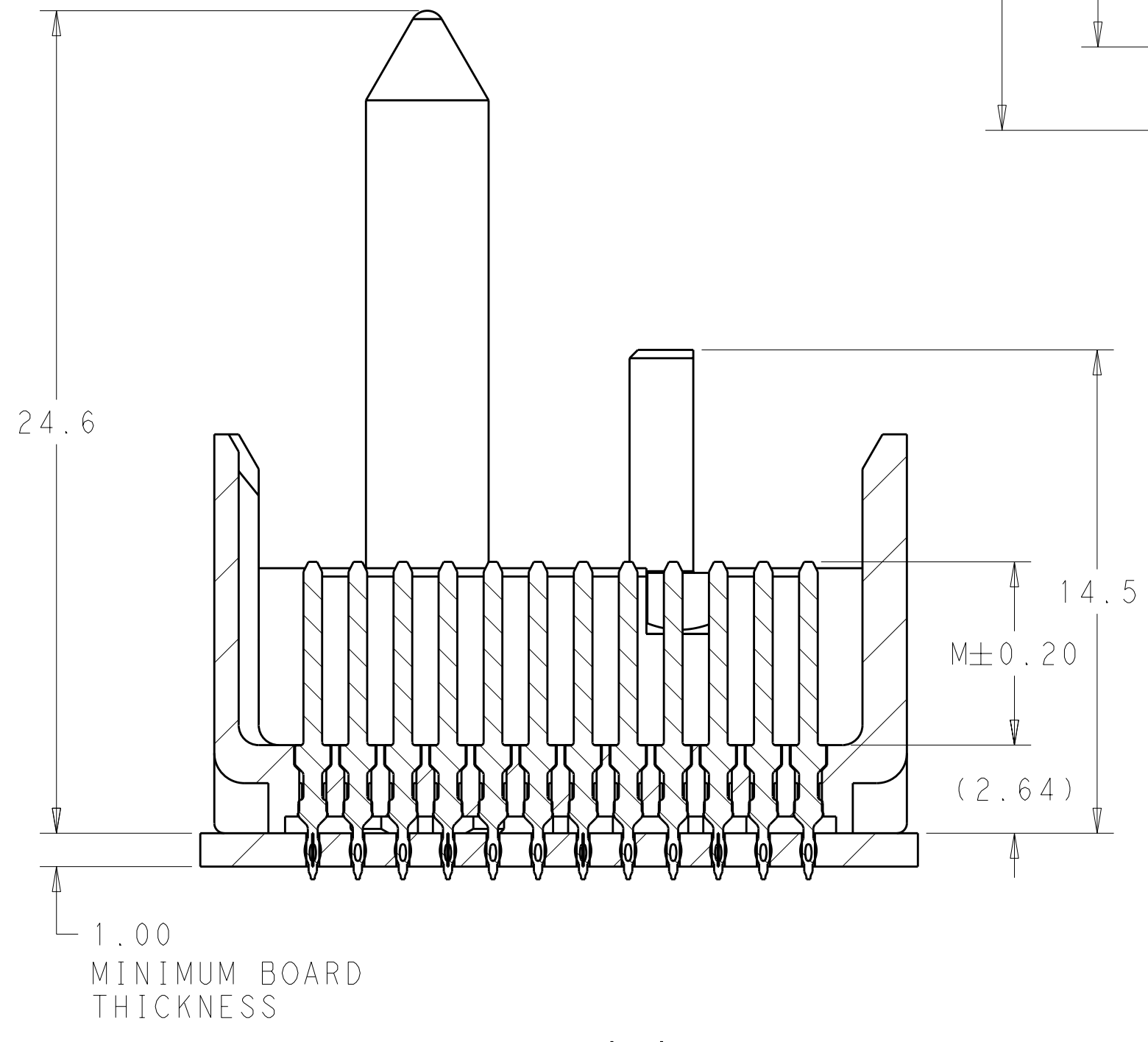
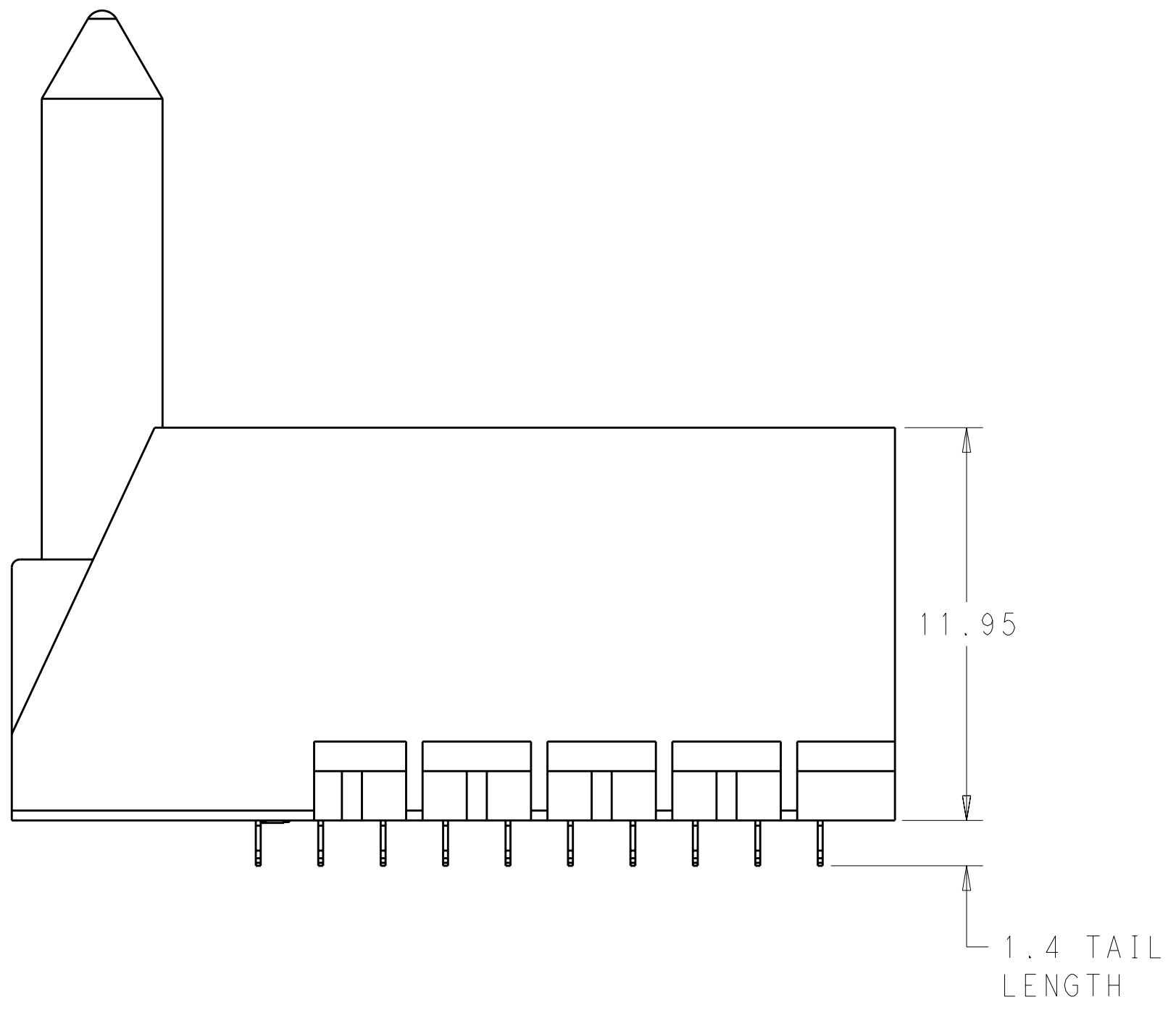
LOC	DIST	REV	DATE	BY	APPD
AD	00	A	18FEB2010	JKS	JE



- 1 MATERIAL:
HOUSING: LCP GLASS FILLED UL94V-0
TERMINALS: HIGH PERFORMANCE COPPER ALLOY
- 2 FINISH:
30µ" MIN GOLD IN CONTACT AREA
SELECTIVE TIN ON PCB TAILS.
NICKEL OVERALL.
- 3 FINISH:
30µ" MIN GOLD IN CONTACT AREA
SELECTIVE TIN-LEAD ON PCB TAILS.
NICKEL OVERALL.
- 4 OPTIONAL DEPENDING
ON PART NUMBER
- 5. SCREWS PACKAGED IN END OF PACKAGING TUBE.
- 6 FOR GROUNDED GUIDE PIN USE Ø3.56±0.08 PTH,
Ø3.66 DRILL, AND Ø6.5 PAD.
- 7. KEYING PIN SHOWN IN POSITION A, SEE KEYING CHART
ON SHEET 2 FOR OTHER POSITIONS.



LEFT GUIDED
BACKPLANE HOLE PATTERN
(CONNECTOR SIDE)
SCALE 5:1

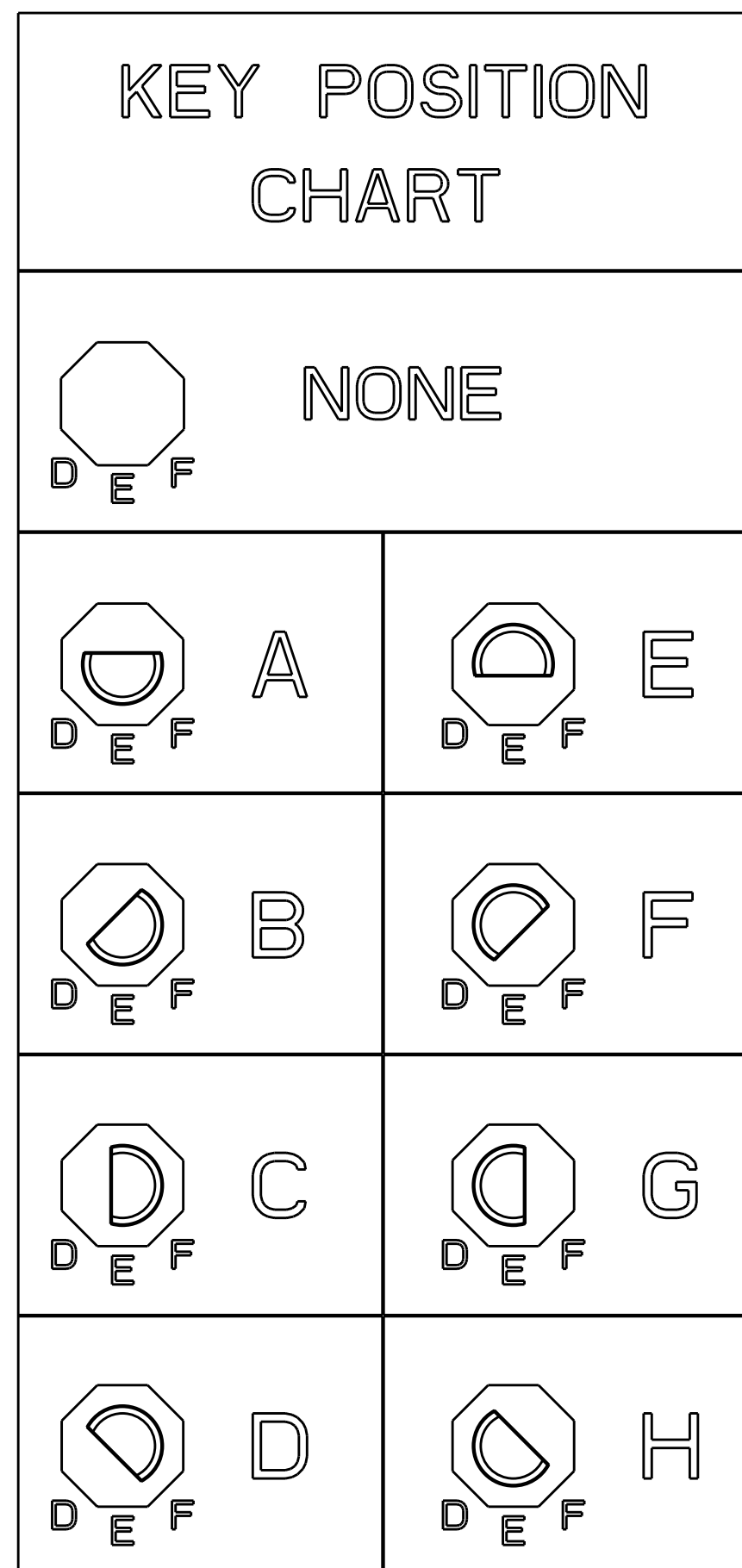
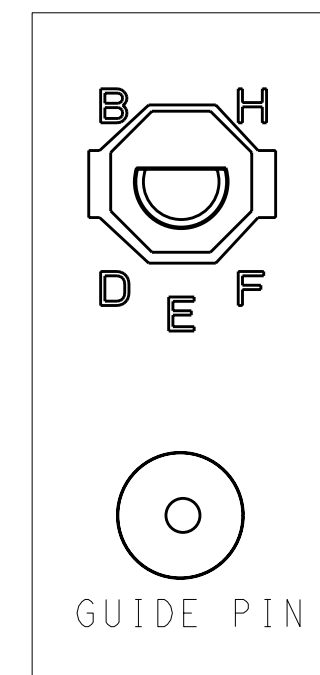


SECTION A-A

<small>THIS DRAWING IS UNPUBLISHED. RELEASED FOR PUBLICATION. COPYRIGHT 20 BY TYCO ELECTRONICS CORPORATION, ALL RIGHTS RESERVED.</small>		DWN J. HUMBERT 31MAR2010 CHK J. EARY 31MAR2010 APVD J. EARY 31MAR2010	Tyco Electronics Harrisburg, PA 17105-3608
DIMENSIONS: mm 	TOLERANCES UNLESS OTHERWISE SPECIFIED: 9 PLC ±.5 1 PLC ±0.5 3 PLC ±0.13 4 PLC ±0.013 4 PLC ±0.001 ANGLES ±.	NAME PRODUCT SPEC APPLICATION SPEC WEIGHT CUSTOMER DRAWING	NAME IMPACT, 4 PAIR HEADER, LEFT GUIDED END WALL, SELECT LOAD, HEADER ASSEMBLY, 0.39 PTH SIZE CAGE CODE DRAWING NO A100779C=2143400 RESTRICTED TO SCALE 11:1 SHEET 1 OF 2 REV A

LOC	DIST	REVISIONS					
AD	00	P	LTB	DESCRIPTION	DATE	DWN	APVD
		-	-	SEE SHEET 1	-	-	-

2143400-1		FINISH								
PART NUMBER		FINISH								
CONTACT LAYOUT										
A = 4.5mm (DIM M)										
B = 4.9mm (DIM M)										
C = 5.5mm (DIM M)										
COLUMNS										
	1	2	3	4	5	6	7	8	9	10
A	C	C	C	C	C	C	C	C	C	A
B	C	C	C	C	C	C	C	C	C	A
C	C	C	C	C	C	C	C	C	C	C
D	C	C	C	C	C	C	C	C	C	C
E	A	C	C	C	C	C	C	C	C	C
F	C	C	C	C	C	C	C	C	C	C
G	C	C	C	C	C	C	C	C	C	C
H	C	C	C	C	C	C	C	C	C	C
J	C	C	C	C	C	C	C	C	C	C
K	C	C	C	C	C	C	C	C	C	C
L	C	C	C	C	C	C	C	C	C	C
M	C	C	C	C	C	C	C	C	C	C



SCALE 4:1

THIS DRAWING IS UNPUBLISHED. RELEASED FOR PUBLICATION. ALL RIGHTS RESERVED. THIS DRAWING IS UNPUBLISHED. RELEASED FOR PUBLICATION. ALL RIGHTS RESERVED.		DWN D. HUMBERT 31MAR2010	Tyco Electronics Harrisburg, PA 17105-3608
DIMENSIONS: mm		CHK J. EABY 31MAR2010	
TOLERANCES UNLESS OTHERWISE SPECIFIED: 9 PLC ±.5 7 PLC ±0.5 5 PLC ±0.13 4 PLC ±0.013 ANGLES ±.0001		APVD J. EABY 31MAR2010	NAME IMPACT, 4 PAIR HEADER, LEFT GUIDED END WALL, SELECT LOAD, HEADER ASSEMBLY, 0.39 PTH
MATERIAL FINISH		PRODUCT SPEC APPLICATION SPEC WEIGHT CUSTOMER DRAWING	RESTRICTED TO SIZE CAGE CODE DRAWING NO A100779C=2143400
SCALE 11:1		SHEET 2 OF 2	REV A