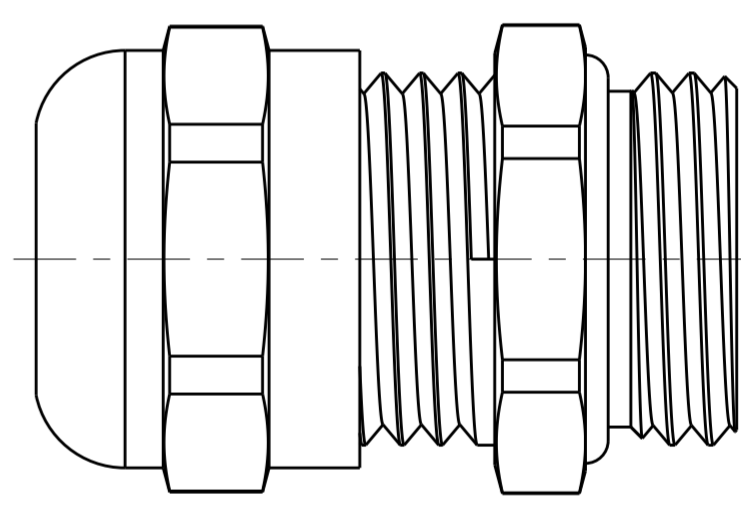
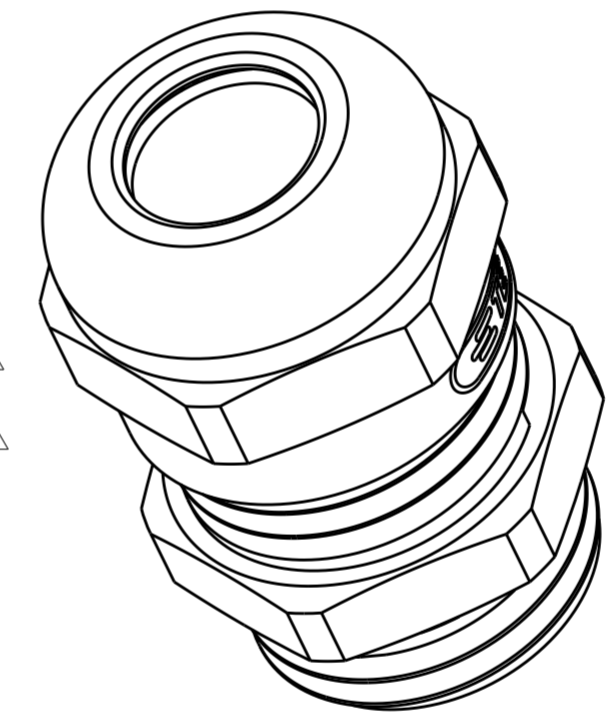
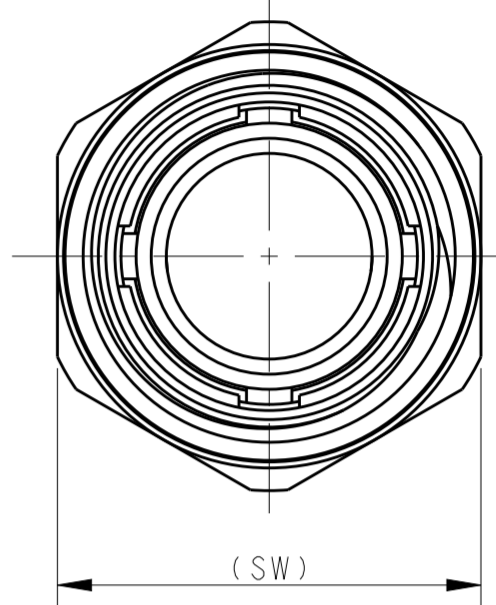
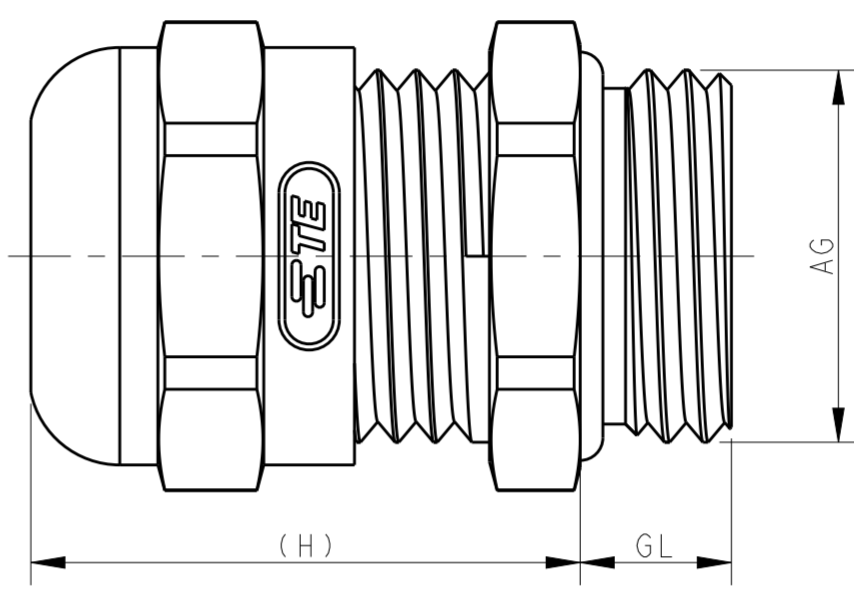


THIS DRAWING IS UNPUBLISHED.										RELEASED FOR PUBLICATION									
COPYRIGHT 20 BY -										ALL RIGHTS RESERVED.									
M32x1.5	18-25	25.4			12	31	40	DLX-32-LM	METAL CABLE GLAND M32 (18-25), THREAD LENGTHEN 金属加长螺纹接头 M32 (18-25)	T3609320202-000									
M32x1.5	13-20	20.4			12	31	40	DLX-32-LMT	METAL CABLE GLAND M32 (13-20), THREAD LENGTHEN 金属加长螺纹接头 M32 (13-20)	T3609320212-000									
M63x1.5	37-44		10			41	70	DLX-63-M	METAL CABLE GLAND M63(37-44) 金属接头 M63 (37-44)		T3609630102-000								
M63x1.5	29-35	36	10.5			40	67	DLX-63-MT	METAL CABLE GLAND M63(29-35) 金属接头 M63 (29-35)	T3609630112-000									
M50x1.5	32-38	39	9			37	57	DLX-50-M	METAL CABLE GLAND M50(32-38) 金属接头 M50 (32-38)	T3609500102-000	T3609500102-001								
M50x1.5	29-36	36.5	9			37	57	DLX-50-M	METAL CABLE GLAND M50(29-36) 金属接头 M50 (29-36)	T3609500122-000									
M50x1.5	22-32		9			38.5	55	DLX-50-MT	METAL CABLE GLAND M50(22-32) 金属接头 M50 (22-32)		T3609500112-000								
M40x1.5	22-32	33	8			37	50	DLX-40-M	METAL CABLE GLAND M40(22-32) 金属接头 M40 (22-32)	T3609400102-000	T3609400102-001								
M40x1.5	20-26	26.5	8			37	50	DLX-40-MT	METAL CABLE GLAND M40(20-26) 金属接头 M40 (20-26)	T3609400112-000									
M32x1.5	18-25	25.4				31	40	DLX-32-M	METAL CABLE GLAND M32(18-25) 金属接头 M32 (18-25)	T3609320102-000									
M32x1.5	13-20	20.4				31	40	DLX-32-MT	METAL CABLE GLAND M32(13-20) 金属接头 M32 (13-20)	T3609320112-000									
M25x1.5	13-18	18.4			12	26	30	DLX-25-LM	METAL CABLE GLAND M25 (13-18), THREAD LENGTHEN 金属加长螺纹接头 M25 (13-18)	T3609250202-000									
M25x1.5	13-18	18.4	7			26	30	DLX-25-M	METAL CABLE GLAND M25(13-18) 金属接头 M25 (13-18)	T3609250102-000									
M25x1.5	9-16	16.4			12	26	30	DLX-25-LMT	METAL CABLE GLAND M25 (9-16), THREAD LENGTHEN 金属加长螺纹接头 M25 (9-16)	T3609250212-000									
M25x1.5	9-16	16.4	7			26	30	DLX-25-MT	METAL CABLE GLAND M25(9-16) 金属接头 M25 (9-16)	T3609250112-000									
M20x1.5	10-14	13.8	6			24	24	DLX-20-MB	METAL CABLE GLAND M20(10-14) 金属接头 M20 (10-14)	T3609200122-000									
M20x1.5	6-12	12.2			10	23	22	DLX-20-LM	METAL CABLE GLAND M20 (6-12), THREAD LENGTHEN 金属加长螺纹接头 M20 (6-12)	T3609200202-000									
M20x1.5	6-12	12.2	6			23	22	DLX-20-M	METAL CABLE GLAND M20(6-12) 金属接头 M20 (6-12)	T3609200102-000									
M20x1.5	5-9	9.2			10	23	22	DLX-20-LMT	METAL CABLE GLAND M20 (5-9), THREAD LENGTHEN 金属加长螺纹接头 M20 (5-9)	T3609200222-000									
M20x1.5	5-9	9.2	6			23	22	DLX-20-MT	METAL CABLE GLAND M20(5-9) 金属接头 M20 (5-9)	T3609200112-000									
M16x1.5	5-10	10.2			10	22	20	DLX-16-LMB	METAL CABLE GLAND M16 (5-10), THREAD LENGTHEN 金属加长螺纹接头 M16 (5-10)	T3609160222-000									
M16x1.5	5-10	10.2	6			22	20	DLX-16-MB	METAL CABLE GLAND M16(5-10) 金属接头 M16 (5-10)	T3609160122-000									
M16x1.5	4-8	8.5			10	21	19	DLX-16-LM	METAL CABLE GLAND M16 (4-8), THREAD LENGTHEN 金属加长螺纹接头 M16 (4-8)	T3609160202-000									
M16x1.5	4-8	8.5	6			21	19	DLX-16-M	METAL CABLE GLAND M16(4-8) 金属接头 M16 (4-8)	T3609160102-000									
M16x1.5	2-6	6.5			21	19	19	DLX-16-MT	METAL CABLE GLAND M16(2-6) 金属接头 M16 (2-6)	T3609160112-000									
M12x1.5	3-6.5	6.8			8	25	14	DLX-12-LM	METAL CABLE GLAND M12 (3-6.5), LENGTHEN 金属加长接头 M12 (3-6.5)	T3609120202-000									
M12x1.5	3-6.5	6.8	5			25	14	DLX-12-M	METAL CABLE GLAND M12(3-6.5) 金属接头 M12 (3-6.5)	T3609120102-000									
M12x1.5	2-5	5.3	5			25	14	DLX-12-MT	METAL CABLE GLAND M12(2-5) 金属接头 M12 (2-5)	T3609120112-000									
PG48	37-44	44.5	10			41	65	DLX-48-MS	METAL CABLE GLAND PG48(37-44) 金属接头 PG48 (37-44)	T3609480101-000									
PG48	29-35	36	10			30	64	DLX-48-MTS	METAL CABLE GLAND PG48(29-35) 金属接头 PG48 (29-35)	T3609480111-000									
PG42	30-38		9			40	58	DLX-42-MS	METAL CABLE GLAND PG42(30-38) 金属接头 PG42 (30-38)		T3609420101-000								
PG42	25-31	31.5	9			37	57	DLX-42-MTS	METAL CABLE GLAND PG42(25-31) 金属接头 PG42 (25-31)	T3609420111-000									
PG36	22-32	33			15	39	50	DLX-36-LMS	METAL CABLE GLAND PG36 (22-32), LENGTHEN 金属加长接头 PG36 (22-32)	T3609360201-000									
PG36	22-32	33	8			38	50	DLX-36-MS	METAL CABLE GLAND PG36(22-32) 金属接头 PG36 (22-32)	T3609360101-000									
PG36	20-26	26.5	8			38	50	DLX-36-MTS	METAL CABLE GLAND PG36(20-26) 金属接头 PG36 (20-26)	T3609360111-000									
PG29	18-25	25.4			15	33	40	DLX-29-LMS	METAL CABLE GLAND PG29 (18-25), LENGTHEN 金属加长接头 PG29 (18-25)	T3609290201-000									
PG29	18-25	25.4	8			30	40	DLX-29-MS	METAL CABLE GLAND PG29(18-25) 金属接头 PG29 (18-25)	T3609290101-000	T3609290101-001								
PG29	13-20	20.4	8			30	40	DLX-29-MTS	METAL CABLE GLAND PG29(13-20) 金属接头 PG29 (13-20)	T3609290111-000									
PG21	13-18	18.4			12	25	30	DLX-21-LMS	METAL CABLE GLAND PG21 (13-18), LENGTHEN 金属加长接头 PG21 (13-18)	T3609210201-000									
PG21	13-18	18.4	7			25	30	DLX-21-MS	METAL CABLE GLAND PG21(13-18) 金属接头 PG21 (13-18)	T3609210101-000									
PG21	9-16	16.4	7			25	30	DLX-21-MTS	METAL CABLE GLAND PG21(9-16) 金属接头 PG21 (9-16)	T3609210111-000									
PG16	10-14	13.8	6.5			23.5	24	DLX-16-MS	METAL CABLE GLAND PG16(10-14) 金属接头 PG16 (10-14)	T3609160101-000									
PG16	7-12	12.2	6.5			23.5	24	DLX-16-MTS	METAL CABLE GLAND PG16(7-12) 金属接头 PG16 (7-12)	T3609160111-000									
PG13.5	6-12	12.2	6.5			23.5	22	DLX-13.5-MS	METAL CABLE GLAND PG13.5(6-12) 金属接头 PG13.5 (6-12)	T3609130101-000									
PG13.5	5-9	9.2	6.5			23.5	22	DLX-13.5-MTS	METAL CABLE GLAND PG13.5(5-9) 金属接头 PG13.5 (5-9)	T3609130111-000									
PG11	5-10	10.2	6			24	21	DLX-11-MS	METAL CABLE GLAND PG11(5-10) 金属接头 PG11 (5-10)	T3609110101-000									
PG11	3-7	7.2	6			24	21	DLX-11-MTS	METAL CABLE GLAND PG11(3-7) 金属接头 PG11 (3-7)	T3609110111-000									
PG11			6			24	21	DLX-11-MSN	METAL CABLE GLAND, WITHOUT INNER SEALING 金属接头 PG11, 无内衬圈	T3609110121-000									
PG9	4-8	8.5	6			24	17	DLX-9-MS	METAL CABLE GLAND PG9(4-8) 金属接头 PG9 (4-8)	T3609090101-000									
PG9	2-6	6.5	6			24	17	DLX-9-MTS	METAL CABLE GLAND PG9(2-6) 金属接头 PG9 (2-6)	T3609090111-000									
PG7	3-6.5	8.5			6	25	17	DLX-7-MES	METAL CABLE GLAND PG7 (3-6.5), LARGE 金属接头 PG7 (3-6.5), 加大型	T3609070121-000									
PG7	3-6.5	6.8	5			25	14	DLX-7-MS	METAL CABLE GLAND PG7(3-6.5) 金属接头 PG7 (3-6.5)	T3609070101-000									
PG7	2-5	5.3	5			25	14	DLX-7-MTS	METAL CABLE GLAND PG7(2-5) 金属接头 PG7 (2-5)	T3609070111-000									
AG	WIRE RANGE 夹线范围 (Ø)	Ø	GL	GL (Lengthen加长)	H	SW		DESCRIPTION 产品描述		PART NUMBER WITH TE LOGO 成品料号 (带 TE Logo)	PART NUMBER WITHOUT LOGO 成品料号 (不带 TE Logo)								

REVISIONS					
P	LTR	DESCRIPTION	DATE	DWN	APVD
B2		ECR-18-010224	30JUN2018	CH	CW
B3		ECR-18-020020	26DEC2018	YC	CW
B4		ECR-19-002559	16FEB2019	WOR	CW
B5		ECR-19-004297	21MAR2019	SR	CW



PART NUMBER SHOWN WITHOUT LOGO
成品料号 (不带 TE LOGO)
EXCEPT THE TE LOGO, ALL DIMENSIONS ARE SAME AS CORRESPONDING PART NUMBER WITH TE LOGO
除 TE LOGO 差异外, 不带 TE LOGO 与带 TE LOGO 对应型号之间, 所有尺寸均相同。

NOTES/技术指标:
1. TECHNICAL CHARACTERISTICS/技术参数:
SHELL MATERIAL/主体材料: NICKEL PLATED BRASS/铜镀镍
SEAL MATERIAL/密封材料: ELASTIC RUBBER/弹性橡胶
PINCH RING MATERIAL/夹零件材料: PA
OPERATION TEMPERATURE/工作温度: -40°C~+100°C
PROTECTION DEGREE/防护等级: IP68
(EXCEPT T3609110121-000)
(料号 T3609110121-000 除外)

WIRE RANGE/夹线范围: SEE TABLE/见表格

2. OBSOLETE / 料号已停用

THIS DRAWING IS A CONTROLLED DOCUMENT.		DWN GINO YAO 05JUN2015	TE Connectivity	
		CHK CHRIS WANG 05JUN2015		
		APVD XIANG XU 05JUN2015	NAME METAL CABLE GLAND	
DIMENSIONS: mm		TOLERANCES UNLESS OTHERWISE SPECIFIED:		PRODUCT SPEC
		0 PLC ± 1 PLC ± 2 PLC ± 3 PLC ± 4 PLC ± ANGLES ±		APPLICATION SPEC
MATERIAL		FINISH		WEIGHT
				Customer Drawing
SIZE A2	CAGE CODE	DRAWING NO. G-T360XXXXXXX000	RESTRICTED TO	
SCALE 5:1		SHEET 1 OF 1	REV B5	