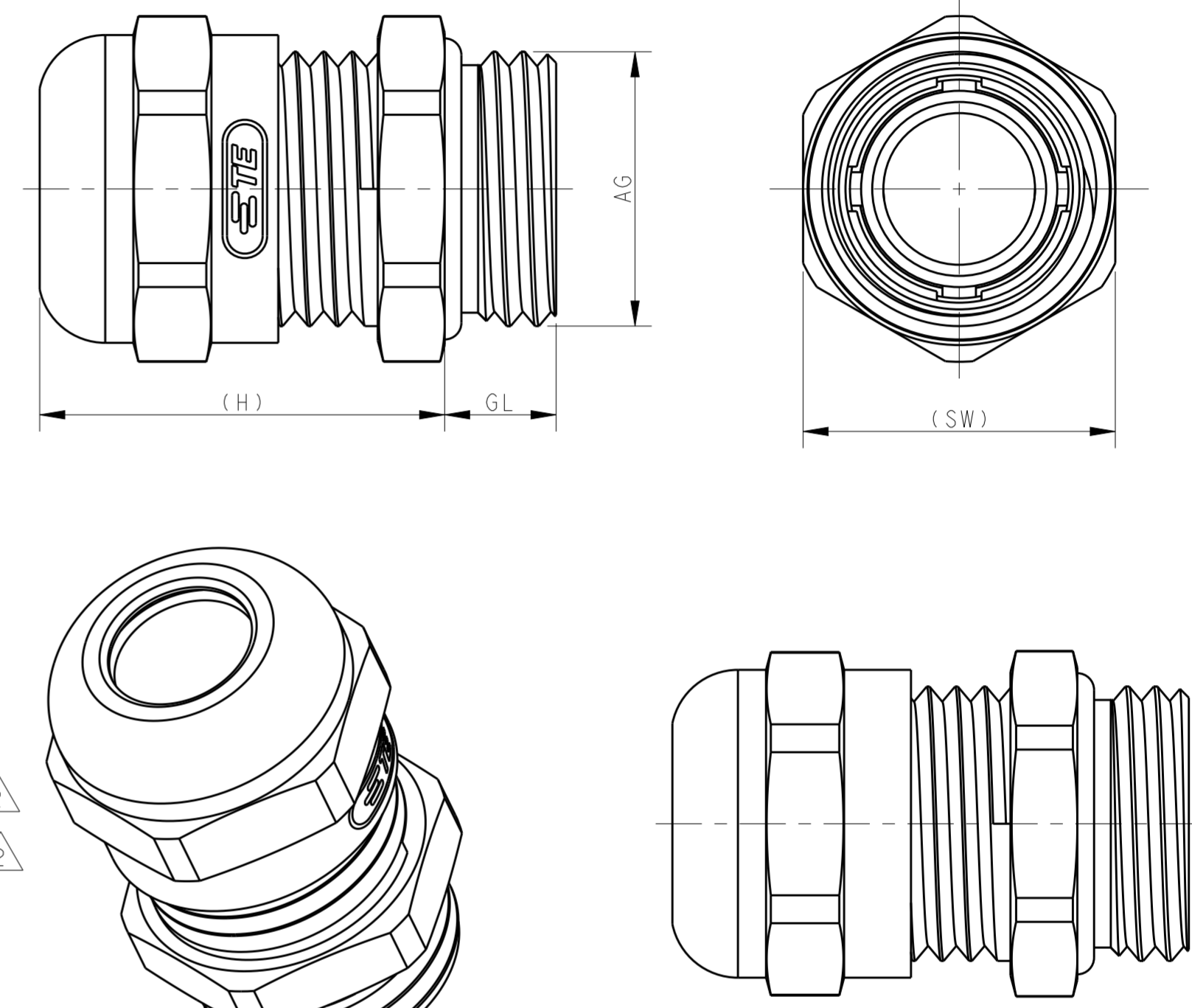


| THIS DRAWING IS UNPUBLISHED. | | RELEASED FOR PUBLICATION | | 20 | | | | | | |
|------------------------------|-------|--------------------------|------|----------------------|------|----|--------------|--|-----------------|----------------------------|
| COPYRIGHT 20 | | BY - | | ALL RIGHTS RESERVED. | | | | | | |
| M32x1.5 | 18-25 | 25.4 | | 12 | 31 | 40 | DLX-32-LM | METAL CABLE GLAND M32 (18-25), THREAD LENGTHEN 金属加长螺纹接头 M32 (18-25) | T3609320202-000 | |
| M32x1.5 | 13-20 | 20.4 | | 12 | 31 | 40 | DLX-32-LMT | METAL CABLE GLAND M32 (13-20), THREAD LENGTHEN 金属加长螺纹接头 M32 (13-20) | T3609320212-000 | |
| M63x1.5 | 37-44 | | 10 | | 41 | 70 | DLX-63-M | METAL CABLE GLAND M63(37-44) 金属接头 M63 (37-44) | | T3609630102-000 |
| M63x1.5 | 29-35 | 36 | 10.5 | | 40 | 67 | DLX-63-MT | METAL CABLE GLAND M63(29-35) 金属接头 M63 (29-35) | T3609630112-000 | |
| M50x1.5 | 32-38 | 39 | 9 | | 37 | 57 | DLX-50-M | METAL CABLE GLAND M50(32-38) 金属接头 M50 (32-38) | T3609500102-000 | T3609500102-001 |
| M50x1.5 | 29-36 | 36.5 | 9 | | 37 | 57 | DLX-50-M | METAL CABLE GLAND M50(29-36) 金属接头 M50 (29-36) | T3609500122-000 | |
| M50x1.5 | 22-32 | | 9 | | 38.5 | 55 | DLX-50-MT | METAL CABLE GLAND M50(22-32) 金属接头 M50 (22-32) | | T3609500112-000 |
| M40x1.5 | 22-32 | 33 | 8 | | 37 | 50 | DLX-40-M | METAL CABLE GLAND M40(22-32) 金属接头 M40 (22-32) | T3609400102-000 | T3609400102-001 |
| M40x1.5 | 20-26 | 26.5 | 8 | | 37 | 50 | DLX-40-MT | METAL CABLE GLAND M40(20-26) 金属接头 M40 (20-26) | T3609400112-000 | |
| M32x1.5 | 18-25 | 25.4 | 8 | | 31 | 40 | DLX-32-M | METAL CABLE GLAND M32(18-25) 金属接头 M32 (18-25) | T3609320102-000 | |
| M32x1.5 | 13-20 | 20.4 | 8 | | 31 | 40 | DLX-32-MT | METAL CABLE GLAND M32(13-20) 金属接头 M32 (13-20) | T3609320112-000 | |
| M25x1.5 | 13-18 | 18.4 | | 12 | 26 | 30 | DLX-25-LM | METAL CABLE GLAND M25 (13-18), THREAD LENGTHEN 金属加长螺纹接头 M25 (13-18) | T3609250202-000 | |
| M25x1.5 | 13-18 | 18.4 | 7 | | 26 | 30 | DLX-25-M | METAL CABLE GLAND M25(13-18) 金属接头 M25 (13-18) | T3609250102-000 | |
| M25x1.5 | 9-16 | 16.4 | | 12 | 26 | 30 | DLX-25-LMT | METAL CABLE GLAND M25 (9-16), THREAD LENGTHEN 金属加长螺纹接头 M25 (9-16) | T3609250212-000 | |
| M25x1.5 | 9-16 | 16.4 | 7 | | 26 | 30 | DLX-25-MT | METAL CABLE GLAND M25(9-16) 金属接头 M25 (9-16) | T3609250112-000 | |
| M20x1.5 | 10-14 | 13.8 | 6 | | 24 | 24 | DLX-20-MB | METAL CABLE GLAND M20(10-14) 金属接头 M20 (10-14) | T3609200122-000 | |
| M20x1.5 | 6-12 | 12.2 | | 10 | 23 | 22 | DLX-20-LM | METAL CABLE GLAND M20 (6-12), THREAD LENGTHEN 金属加长螺纹接头 M20 (6-12) | T3609200202-000 | |
| M20x1.5 | 6-12 | 12.2 | 6 | | 23 | 22 | DLX-20-M | METAL CABLE GLAND M20(6-12) 金属接头 M20 (6-12) | T3609200102-000 | |
| M20x1.5 | 5-9 | 9.2 | | 10 | 23 | 22 | DLX-20-LMT | METAL CABLE GLAND M20 (5-9), THREAD LENGTHEN 金属加长螺纹接头 M20 (5-9) | T3609200222-000 | |
| M20x1.5 | 5-9 | 9.2 | 6 | | 23 | 22 | DLX-20-MT | METAL CABLE GLAND M20(5-9) 金属接头 M20 (5-9) | T3609200112-000 | |
| M16x1.5 | 5-10 | 10.2 | | 10 | 22 | 20 | DLX-16-LMB | METAL CABLE GLAND M16 (5-10), THREAD LENGTHEN 金属加长螺纹接头 M16 (5-10) | T3609160222-000 | |
| M16x1.5 | 5-10 | 10.2 | 6 | | 22 | 20 | DLX-16-MB | METAL CABLE GLAND M16(5-10) 金属接头 M16 (5-10) | T3609160122-000 | |
| M16x1.5 | 4-8 | 8.5 | | 10 | 21 | 19 | DLX-16-LM | METAL CABLE GLAND M16 (4-8), THREAD LENGTHEN 金属加长螺纹接头 M16 (4-8) | T3609160202-000 | |
| M16x1.5 | 4-8 | 8.5 | 6 | | 21 | 19 | DLX-16-M | METAL CABLE GLAND M16(4-8) 金属接头 M16 (4-8) | T3609160102-000 | |
| M16x1.5 | 2-6 | 6.5 | 6 | | 21 | 19 | DLX-16-MT | METAL CABLE GLAND M16(2-6) 金属接头 M16 (2-6) | T3609160112-000 | |
| M12x1.5 | 3-6.5 | 6.8 | | 8 | 25 | 14 | DLX-12-LM | METAL CABLE GLAND M12 (3-6.5), LENGTHEN 金属加长接头 M12 (3-6.5) | T3609120202-000 | |
| M12x1.5 | 3-6.5 | 6.8 | 5 | | 25 | 14 | DLX-12-M | METAL CABLE GLAND M12(3-6.5) 金属接头 M12 (3-6.5) | T3609120102-000 | |
| M12x1.5 | 2-5 | 5.3 | 5 | | 25 | 14 | DLX-12-MT | METAL CABLE GLAND M12(2-5) 金属接头 M12 (2-5) | T3609120112-000 | |
| PG48 | 37-44 | 44.5 | 10 | | 41 | 65 | DLX-48-MS | METAL CABLE GLAND PG48(37-44) 金属接头 PG48 (37-44) | T3609480101-000 | |
| PG48 | 29-35 | 36 | 10 | | 30 | 64 | DLX-48-MTS | METAL CABLE GLAND PG48(29-35) 金属接头 PG48 (29-35) | T3609480111-000 | |
| PG42 | 30-38 | | 9 | | 40 | 58 | DLX-42-MS | METAL CABLE GLAND PG42(30-38) 金属接头 PG42 (30-38) | | T3609420101-000 |
| PG42 | 25-31 | 31.5 | 9 | | 37 | 57 | DLX-42-MTS | METAL CABLE GLAND PG42(25-31) 金属接头 PG42 (25-31) | T3609420111-000 | |
| PG36 | 22-32 | 33 | | 15 | 39 | 50 | DLX-36-LMS | METAL CABLE GLAND PG36 (22-32), LENGTHEN 金属加长接头 PG36 (22-32) | T3609360201-000 | |
| PG36 | 22-32 | 33 | 8 | | 38 | 50 | DLX-36-MS | METAL CABLE GLAND PG36(22-32) 金属接头 PG36 (22-32) | T3609360101-000 | |
| PG36 | 20-26 | 26.5 | 8 | | 38 | 50 | DLX-36-MTS | METAL CABLE GLAND PG36(20-26) 金属接头 PG36 (20-26) | T3609360111-000 | |
| PG29 | 18-25 | 25.4 | | 15 | 33 | 40 | DLX-29-LMS | METAL CABLE GLAND PG29 (18-25), LENGTHEN 金属加长接头 PG29 (18-25) | T3609290201-000 | |
| PG29 | 18-25 | 25.4 | 8 | | 30 | 40 | DLX-29-MS | METAL CABLE GLAND PG29(18-25) 金属接头 PG29 (18-25) | T3609290101-000 | T3609290101-001 |
| PG29 | 13-20 | 20.4 | 8 | | 30 | 40 | DLX-29-MTS | METAL CABLE GLAND PG29(13-20) 金属接头 PG29 (13-20) | T3609290111-000 | |
| PG21 | 13-18 | 18.4 | | 12 | 25 | 30 | DLX-21-LMS | METAL CABLE GLAND PG21 (13-18), LENGTHEN 金属加长接头 PG21 (13-18) | T3609210201-000 | |
| PG21 | 13-18 | 18.4 | 7 | | 25 | 30 | DLX-21-MS | METAL CABLE GLAND PG21(13-18) 金属接头 PG21 (13-18) | T3609210101-000 | |
| PG21 | 9-16 | 16.4 | 7 | | 25 | 30 | DLX-21-MTS | METAL CABLE GLAND PG21(9-16) 金属接头 PG21 (9-16) | T3609210111-000 | |
| PG16 | 10-14 | 13.8 | 6.5 | | 23.5 | 24 | DLX-16-MS | METAL CABLE GLAND PG16(10-14) 金属接头 PG16 (10-14) | T3609160101-000 | |
| PG16 | 7-12 | 12.2 | 6.5 | | 23.5 | 24 | DLX-16-MTS | METAL CABLE GLAND PG16(7-12) 金属接头 PG16 (7-12) | T3609160111-000 | |
| PG13.5 | 6-12 | 12.2 | 6.5 | | 23.5 | 22 | DLX-13.5-MS | METAL CABLE GLAND PG13.5(6-12) 金属接头 PG13.5 (6-12) | T3609130101-000 | |
| PG13.5 | 5-9 | 9.2 | 6.5 | | 23.5 | 22 | DLX-13.5-MTS | METAL CABLE GLAND PG13.5(5-9) 金属接头 PG13.5 (5-9) | T3609130111-000 | |
| PG11 | 5-10 | 10.2 | 6 | | 24 | 21 | DLX-11-MS | METAL CABLE GLAND PG11(5-10) 金属接头 PG11 (5-10) | T3609110101-000 | |
| PG11 | 3-7 | 7.2 | 6 | | 24 | 21 | DLX-11-MTS | METAL CABLE GLAND PG11(3-7) 金属接头 PG11 (3-7) | T3609110111-000 | |
| PG11 | | | 6 | | 24 | 21 | DLX-11-MSN | METAL CABLE GLAND, WITHOUT INNER SEALING 金属接头 PG11, 无内衬圈 | T3609110121-000 | |
| PG9 | 4-8 | 8.5 | 6 | | 24 | 17 | DLX-9-MS | METAL CABLE GLAND PG9(4-8) 金属接头 PG9 (4-8) | T3609090101-000 | |
| PG9 | 2-6 | 6.5 | 6 | | 24 | 17 | DLX-9-MTS | METAL CABLE GLAND PG9(2-6) 金属接头 PG9 (2-6) | T3609090111-000 | |
| PG7 | 3-6.5 | 8.5 | | 6 | 25 | 17 | DLX-7-MES | METAL CABLE GLAND PG7 (3-6.5), LARGE 金属接头 PG7 (3-6.5), 加大型 | T3609070121-000 | |
| PG7 | 3-6.5 | 6.8 | 5 | | 25 | 14 | DLX-7-MS | METAL CABLE GLAND PG7(3-6.5) 金属接头 PG7 (3-6.5) | T3609070101-000 | |
| PG7 | 2-5 | 5.3 | 5 | | 25 | 14 | DLX-7-MTS | METAL CABLE GLAND PG7(2-5) 金属接头 PG7 (2-5) | T3609070111-000 | |

| REVISIONS | | | | | |
|-----------|-----|---------------|-----------|-----|------|
| P | LTR | DESCRIPTION | DATE | DWN | APVD |
| B2 | | ECR-18-010224 | 30JUN2018 | CH | CW |
| B3 | | ECR-18-020020 | 26DEC2018 | YC | CW |
| B4 | | ECR-19-002559 | 16FEB2019 | WOR | CW |
| B5 | | ECR-19-004297 | 21MAR2019 | SR | CW |



PART NUMBER SHOWN WITHOUT LOGO
成品料号(不带TE LOGO)
EXCEPT THE TE LOGO, ALL DIMENSIONS ARE SAME AS CORRESPONDING PART NUMBER WITH TE LOGO
除TE LOGO差异外,不带TE LOGO与带TE LOGO对应型号之间,所有尺寸均相同。

NOTES/技术指标:
1. TECHNICAL CHARACTERISTICS/技术参数:
SHELL MATERIAL/主体材料: NICKEL PLATED BRASS/铜镀镍
SEAL MATERIAL/密封材料: ELASTIC RUBBER/弹性橡胶
PINCH RING MATERIAL/夹零件材料: PA
OPERATION TEMPERATURE/工作温度: -40°C~+100°C
PROTECTION DEGREE/防护等级: IP68
(EXCEPT T3609110121-000)
(料号T3609110121-000除外)
WIRE RANGE/夹线范围: SEE TABLE/见表格

THIS DRAWING IS A CONTROLLED DOCUMENT.

DWN: GINO YAO 05JUN2015
CHK: CHRIS WANG 05JUN2015
APVD: XIANG XU 05JUN2015

TE Connectivity

NAME: METAL CABLE GLAND

SIZE: A2 CAGE CODE: - DRAWING NO: C-T360XXXXXXX000 RESTRICTED TO: -

SCALE: 5:1 SHEET 1 OF 1 REV: B5