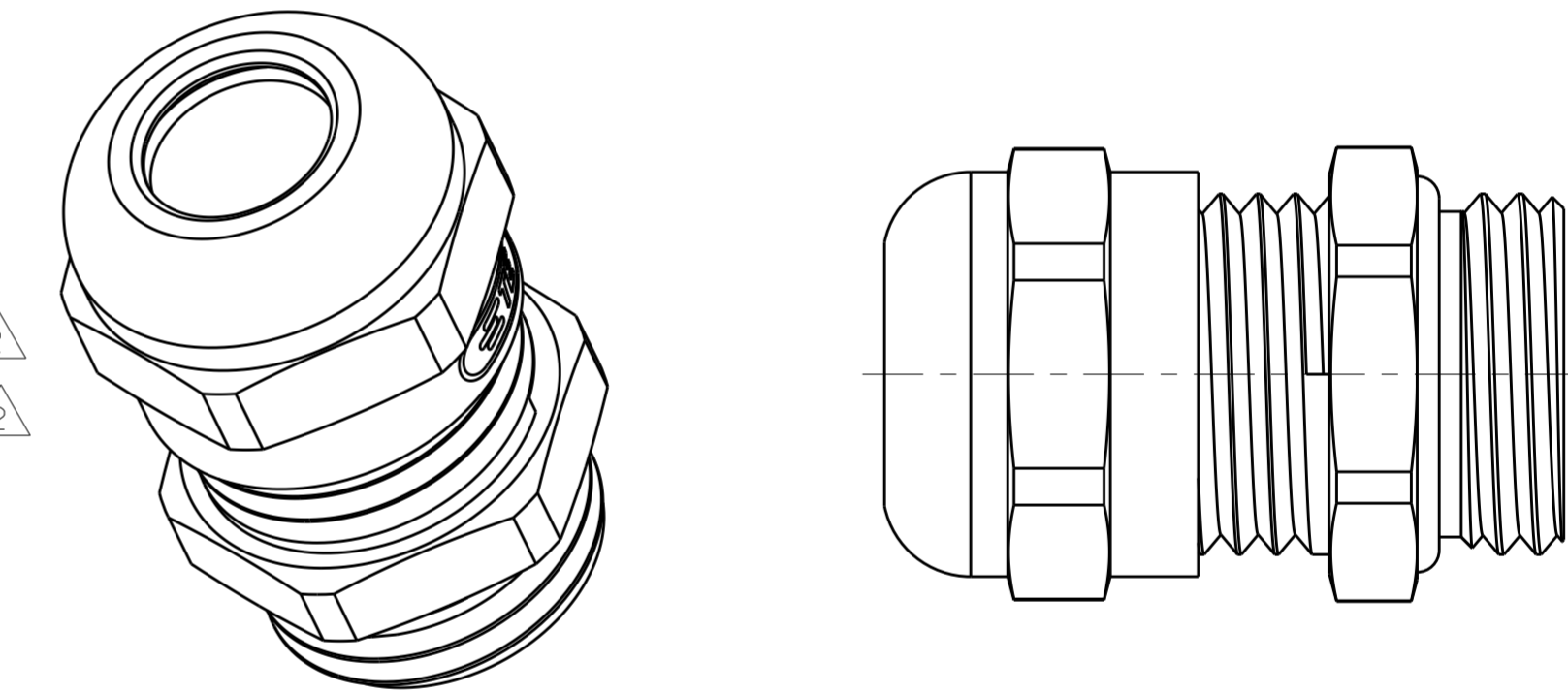


THIS DRAWING IS UNPUBLISHED.		RELEASED FOR PUBLICATION		20						
COPYRIGHT 20		BY -		ALL RIGHTS RESERVED.						
M32x1.5	18-25	25.4		12	31	40	DLX-32-LM	METAL CABLE GLAND M32 (18-25), THREAD LENGTHEN 金属加长锁紧头 M32 (18-25)	T3609320202-000	
M32x1.5	13-20	20.4		12	31	40	DLX-32-LMT	METAL CABLE GLAND M32 (13-20), THREAD LENGTHEN 金属加长锁紧头 M32 (13-20)	T3609320212-000	
M63x1.5	37-44		10		41	70	DLX-63-M	METAL CABLE GLAND M63(37-44) 金属接头 M63 (37-44)		T3609630102-000
M63x1.5	29-35	36	10.5		40	67	DLX-63-MT	METAL CABLE GLAND M63(29-35) 金属接头 M63 (29-35)	T3609630112-000	
M50x1.5	32-38	39	9		37	57	DLX-50-M	METAL CABLE GLAND M50(32-38) 金属接头 M50 (32-38)	T3609500102-000	T3609500102-001
M50x1.5	29-36	36.5	9		37	57	DLX-50-M	METAL CABLE GLAND M50(29-36) 金属接头 M50 (29-36)	T3609500122-000	
M50x1.5	22-32		9		38.5	55	DLX-50-MT	METAL CABLE GLAND M50(22-32) 金属接头 M50 (22-32)		T3609500112-000
M40x1.5	22-32	33	8		37	50	DLX-40-M	METAL CABLE GLAND M40(22-32) 金属接头 M40 (22-32)	T3609400102-000	T3609400102-001
M40x1.5	20-26	26.5	8		37	50	DLX-40-MT	METAL CABLE GLAND M40(20-26) 金属接头 M40 (20-26)	T3609400112-000	
M32x1.5	18-25	25.4	8		31	40	DLX-32-M	METAL CABLE GLAND M32(18-25) 金属接头 M32 (18-25)	T3609320102-000	
M32x1.5	13-20	20.4	8		31	40	DLX-32-MT	METAL CABLE GLAND M32(13-20) 金属接头 M32 (13-20)	T3609320112-000	
M25x1.5	13-18	18.4		12	26	30	DLX-25-LM	METAL CABLE GLAND M25 (13-18), THREAD LENGTHEN 金属加长锁紧头 M25 (13-18)	T3609250202-000	
M25x1.5	13-18	18.4	7		26	30	DLX-25-M	METAL CABLE GLAND M25(13-18) 金属接头 M25 (13-18)	T3609250102-000	
M25x1.5	9-16	16.4		12	26	30	DLX-25-LMT	METAL CABLE GLAND M25 (9-16), THREAD LENGTHEN 金属加长锁紧头 M25 (9-16)	T3609250212-000	
M25x1.5	9-16	16.4	7		26	30	DLX-25-MT	METAL CABLE GLAND M25(9-16) 金属接头 M25 (9-16)	T3609250112-000	
M20x1.5	10-14	13.8	6		24	24	DLX-20-MB	METAL CABLE GLAND M20(10-14) 金属接头 M20 (10-14)	T3609200122-000	
M20x1.5	6-12	12.2		10	23	22	DLX-20-LM	METAL CABLE GLAND M20 (6-12), THREAD LENGTHEN 金属加长锁紧头 M20 (6-12)	T3609200202-000	
M20x1.5	6-12	12.2	6		23	22	DLX-20-M	METAL CABLE GLAND M20(6-12) 金属接头 M20 (6-12)	T3609200102-000	
M20x1.5	5-9	9.2		10	23	22	DLX-20-LMT	METAL CABLE GLAND M20 (5-9), THREAD LENGTHEN 金属加长锁紧头 M20 (5-9)	T3609200222-000	
M20x1.5	5-9	9.2	6		23	22	DLX-20-MT	METAL CABLE GLAND M20(5-9) 金属接头 M20 (5-9)	T3609200112-000	
M16x1.5	5-10	10.2		10	22	20	DLX-16-LMB	METAL CABLE GLAND M16 (5-10), THREAD LENGTHEN 金属加长锁紧头 M16 (5-10)	T3609160222-000	
M16x1.5	5-10	10.2	6		22	20	DLX-16-MB	METAL CABLE GLAND M16(5-10) 金属接头 M16 (5-10)	T3609160122-000	
M16x1.5	4-8	8.5		10	21	19	DLX-16-LM	METAL CABLE GLAND M16 (4-8), THREAD LENGTHEN 金属加长锁紧头 M16 (4-8)	T3609160202-000	
M16x1.5	4-8	8.5	6		21	19	DLX-16-M	METAL CABLE GLAND M16(4-8) 金属接头 M16 (4-8)	T3609160102-000	
M16x1.5	2-6	6.5	6		21	19	DLX-16-MT	METAL CABLE GLAND M16(2-6) 金属接头 M16 (2-6)	T3609160112-000	
M12x1.5	3-6.5	6.8		8	25	14	DLX-12-LM	METAL CABLE GLAND M12 (3-6.5), LENGTHEN 金属加长锁紧头 M12 (3-6.5)	T3609120202-000	
M12x1.5	3-6.5	6.8	5		25	14	DLX-12-M	METAL CABLE GLAND M12(3-6.5) 金属接头 M12 (3-6.5)	T3609120102-000	
M12x1.5	2-5	5.3	5		25	14	DLX-12-MT	METAL CABLE GLAND M12(2-5) 金属接头 M12 (2-5)	T3609120112-000	
PG48	37-44	44.5	10		41	65	DLX-48-MS	METAL CABLE GLAND PG48(37-44) 金属接头 PG48 (37-44)	T3609480101-000	
PG48	29-35	36	10		30	64	DLX-48-MTS	METAL CABLE GLAND PG48(29-35) 金属接头 PG48 (29-35)	T3609480111-000	
PG42	30-38		9		40	58	DLX-42-MS	METAL CABLE GLAND PG42(30-38) 金属接头 PG42 (30-38)		T3609420101-000
PG42	25-31	31.5	9		37	57	DLX-42-MTS	METAL CABLE GLAND PG42(25-31) 金属接头 PG42 (25-31)	T3609420111-000	
PG36	22-32	33		15	39	50	DLX-36-LMS	METAL CABLE GLAND PG36 (22-32), LENGTHEN 金属加长锁紧头 PG36 (22-32)	T3609360201-000	
PG36	22-32	33	8		38	50	DLX-36-MS	METAL CABLE GLAND PG36(22-32) 金属接头 PG36 (22-32)	T3609360101-000	
PG36	20-26	26.5	8		38	50	DLX-36-MTS	METAL CABLE GLAND PG36(20-26) 金属接头 PG36 (20-26)	T3609360111-000	
PG29	18-25	25.4		15	33	40	DLX-29-LMS	METAL CABLE GLAND PG29 (18-25), LENGTHEN 金属加长锁紧头 PG29 (18-25)	T3609290201-000	
PG29	18-25	25.4	8		30	40	DLX-29-MS	METAL CABLE GLAND PG29(18-25) 金属接头 PG29 (18-25)	T3609290101-000	T3609290101-001
PG29	13-20	20.4	8		30	40	DLX-29-MTS	METAL CABLE GLAND PG29(13-20) 金属接头 PG29 (13-20)	T3609290111-000	
PG21	13-18	18.4		12	25	30	DLX-21-LMS	METAL CABLE GLAND PG21 (13-18), LENGTHEN 金属加长锁紧头 PG21 (13-18)	T3609210201-000	
PG21	13-18	18.4	7		25	30	DLX-21-MS	METAL CABLE GLAND PG21(13-18) 金属接头 PG21 (13-18)	T3609210101-000	
PG21	9-16	16.4	7		25	30	DLX-21-MTS	METAL CABLE GLAND PG21(9-16) 金属接头 PG21 (9-16)	T3609210111-000	
PG16	10-14	13.8	6.5		23.5	24	DLX-16-MS	METAL CABLE GLAND PG16(10-14) 金属接头 PG16 (10-14)	T3609160101-000	
PG16	7-12	12.2	6.5		23.5	24	DLX-16-MTS	METAL CABLE GLAND PG16(7-12) 金属接头 PG16 (7-12)	T3609160111-000	
PG13.5	6-12	12.2	6.5		23.5	22	DLX-13.5-MS	METAL CABLE GLAND PG13.5(6-12) 金属接头 PG13.5 (6-12)	T3609130101-000	
PG13.5	5-9	9.2	6.5		23.5	22	DLX-13.5-MTS	METAL CABLE GLAND PG13.5(5-9) 金属接头 PG13.5 (5-9)	T3609130111-000	
PG11	5-10	10.2	6		24	21	DLX-11-MS	METAL CABLE GLAND PG11(5-10) 金属接头 PG11 (5-10)	T3609110101-000	
PG11	3-7	7.2	6		24	21	DLX-11-MTS	METAL CABLE GLAND PG11(3-7) 金属接头 PG11 (3-7)	T3609110111-000	
PG11			6		24	21	DLX-11-MSN	METAL CABLE GLAND, WITHOUT INNER SEALING 金属接头 PG11, 无内衬圈	T3609110121-000	
PG9	4-8	8.5	6		24	17	DLX-9-MS	METAL CABLE GLAND PG9(4-8) 金属接头 PG9 (4-8)	T3609090101-000	
PG9	2-6	6.5	6		24	17	DLX-9-MTS	METAL CABLE GLAND PG9(2-6) 金属接头 PG9 (2-6)	T3609090111-000	
PG7	3-6.5	8.5		6	25	17	DLX-7-MES	METAL CABLE GLAND PG7 (3-6.5), LARGE 金属接头 PG7 (3-6.5), 加大型	T3609070121-000	
PG7	3-6.5	6.8	5		25	14	DLX-7-MS	METAL CABLE GLAND PG7(3-6.5) 金属接头 PG7 (3-6.5)	T3609070101-000	
PG7	2-5	5.3	5		25	14	DLX-7-MTS	METAL CABLE GLAND PG7(2-5) 金属接头 PG7 (2-5)	T3609070111-000	

REVISIONS					
P	LTR	DESCRIPTION	DATE	DWN	APVD
B2		ECR-18-010224	30JUN2018	CH	CW
B3		ECR-18-020020	26DEC2018	YC	CW
B4		ECR-19-002559	16FEB2019	WOR	CW
B5		ECR-19-004297	21MAR2019	SR	CW



PART NUMBER SHOWN WITHOUT LOGO
成品料号(不带TE LOGO)
EXCEPT THE TE LOGO, ALL DIMENSIONS ARE SAME AS CORRESPONDING PART NUMBER WITH TE LOGO
除TE LOGO差异外,不带TE LOGO与带TE LOGO对应型号之间,所有尺寸均相同。

NOTES/技术指标:
1. TECHNICAL CHARACTERISTICS/技术参数:
SHELL MATERIAL/主体材料: NICKEL PLATED BRASS/铜镀镍
SEAL MATERIAL/密封材料: ELASTIC RUBBER/弹性橡胶
PINCH RING MATERIAL/夹零件材料: PA
OPERATION TEMPERATURE/工作温度: -40°C~+100°C
PROTECTION DEGREE/防护等级: IP68
(EXCEPT T3609110121-000)
(料号T3609110121-000除外)
WIRE RANGE/夹线范围: SEE TABLE/见表格

2. OBSOLETE / 料号已停用

THIS DRAWING IS A CONTROLLED DOCUMENT.		DWN	G.LNO.YAO	05JUN2015	 TE Connectivity	NAME	METAL CABLE GLAND						
DIMENSIONS: mm		CHK	CHRIS.WANG	05JUN2015			PRODUCT SPEC	SIZE	CAGE CODE	DRAWING NO	RESTRICTED TO		
TOLERANCES UNLESS OTHERWISE SPECIFIED:		APVD	XIANG.XU	05JUN2015								APPLICATION SPEC	SCALE
MATERIAL							WEIGHT	A2	-	G-T360XXXXXXX000	-	5:1	1