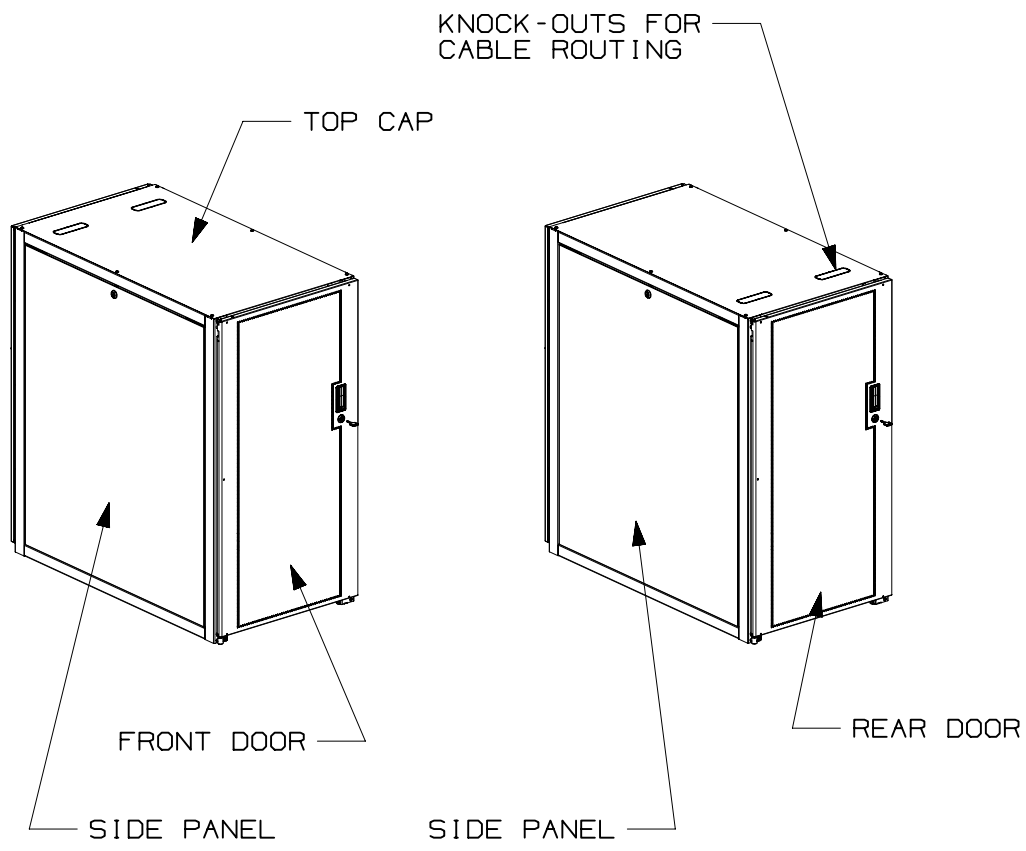


THIS COPY IS PROVIDED ON A RESTRICTED BASIS AND IS NOT TO BE USED IN ANY WAY DETRIMENTAL TO THE INTERESTS OF PANDUIT CORP.



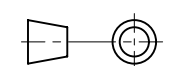
1. VISIT OUR ON-LINE CATALOG AT WWW.PANDUIT.COM FOR A LIST OF CURRENT PARTS APPLICABLE FOR USE WITH THIS PRODUCT.
2. PRIMARY DIMENSIONS ARE IN MILLIMETERS.
3. INCREMENTALLY ADJUSTABLE REAR EQUIPMENT MOUNTING RAILS (EIA) ARE FACTORY SET AT 742mm FROM FIXED FRONT RAILS. REAR RAILS ADJUST FROM 46mm TO 932mm IN INCREMENTS OF 32mm.
4. CAN BE USED WITH ANY 19" EIA STANDARD COMPONENT IN ADDITION TO ALL PANDUIT HORIZONTAL CABLE MANAGEMENT AND PATCH PANEL PRODUCTS.
5. EIA UNIVERSAL STANDARD HOLE PROGRESSION ON EQUIPMENT RAILS 15.88mm, 15.88mm, 12.70mm, 15.88mm, 15.88mm, 12.7mm...ETC.
6. PARTS SUPPLIED:
 - BASE CABINET
 - FRONT PERFORATED DOOR (SEE CHART ON SHEET 2)
 - REAR PERFORATED DOOR (SEE CHART ON SHEET 2)
 - SIDE PANEL (SEE CHART ON SHEET 2)
 - EQUIPMENT RAILS FRONT & REAR (SEE CHART ON SHEET 2)
 - CASTERS (SEE CHART ON SHEET 2)
 - INSTRUCTION SHEET
7. RACK UNIT SPACING NUMERALS ARE CLEARLY PRINTED ON EQUIPMENT MOUNTING RAILS.
8. FULLY BONDED STRUCTURE WHEN ASSEMBLED PER INSTRUCTIONS.
9. STATIC LOAD TESTED TO 567 Kg (1250 LBS).
10. ROLLING LOAD TESTED TO 227 Kg (500 LBS).
11. SINGLE POINT GROUND LOCATIONS AT BOTTOM OF CABINET.
12. ALL CABINET RAILS ARE INSTALLED NUMBERS UP.

B

B

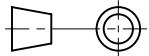
A

A

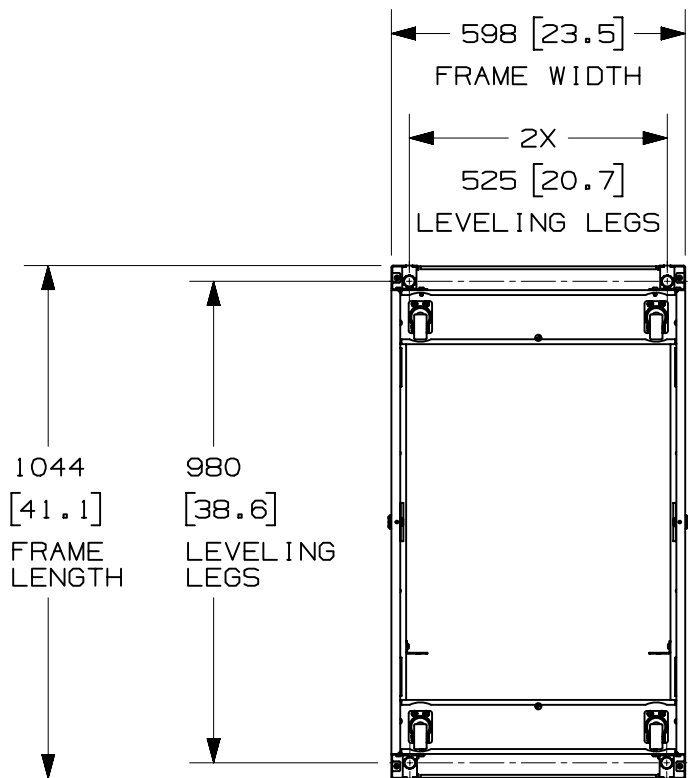
						TITLE		ENTERPRISE SERVER CONFIGURED CABINET 600mm WIDE x 1070mm DEEP FAMILY				
						CUSTOMER DRAWING						
						ITEM REVISION NAME		13V368ZC/00.PRT				
						DATASET FILE NAME		13V368ZC_DC/00A.PRT				
						UNLESS OTHERWISE SPECIFIED, DIMENSIONAL TOLERANCES ARE:		MATERIAL/COLOR:				
						INCHES +/- 0.03		METRIC - MILLIMETER +/- 0.8				
						X.XX +/- 0.018		X.X +/- 0.46				
						X.XXX +/- 0.007		X.XX +/- 0.18				
						THIRD ANGLE PROJECTION		DRAWING NUMBER:				
								13V368ZC-DC				
OOA	5-17-13	TKW	PBD	RELEASED TO PRODUCTION		13V368ZC-DC						
REV	DATE	BY	CHK	APR	DESCRIPTION	ECN	DRAWN BY	DATE	CHK	SCALE	SHT 1 OF 5	SIZE
							TKW	5-17-13	PBD	NONE		A

THIS COPY IS PROVIDED ON A RESTRICTED BASIS AND IS NOT TO BE USED IN ANY WAY DETRIMENTAL TO THE INTERESTS OF PANDUIT CORP.

PART NO.	DESCRIPTION	QUANTITY						CABINET WEIGHT UNPACKAGED	CABINET WEIGHT SHIPPING NO PALLET	CABINET WEIGHT SHIPPING WITH PALLET
		SINGLE HINGE FRONT DOOR	SINGLE HINGE REAR DOOR	SIDE PANEL	FRONT POST WITH INTEGRATED CAGE NUT E-RAIL	REAR CAGE NUT E-RAIL	SWIVEL CASTERS			
E6212B1	12 RU ENTERPRISE CABINET 600mm WIDE X 1070mm DEEP	01	01	02	02	02	04	34.9 Kg 77 LBS	N/A	52.6 Kg 116 LBS
E6212B1FP	12 RU ENTERPRISE CABINET 600mm WIDE X 1070mm DEEP - FLAT PACKED	01	01	02	02	02	04	34.9 Kg 77 LBS	43.1 Kg 95 LBS	58.1 Kg 128 LBS
E6212B1FP5	12 RU ENTERPRISE CABINET 600mm WIDE X 1070mm DEEP - FLAT PACKED (5) PER PALLET	01	01	02	02	02	04	174.5 Kg (5 X 34.9 Kg) 385 LBS (5 X 77 LBS)	N/A	230.5 Kg (5 X 43.1 Kg)+ (1 X 15 Kg) PALLET 508 LBS (5 X 95 LBS)+ (1 X 33 LBS) PALLET
E6412B2	24 RU ENTERPRISE CABINET 600mm WIDE X 1070mm DEEP	01	01	02	02	02	04	45.8 Kg 101 LBS	N/A	63.5 Kg 140 LBS
E6412B2FP	24 RU ENTERPRISE CABINET 600mm WIDE X 1070mm DEEP - FLAT PACKED	01	01	02	02	02	04	45.8 Kg 101 LBS	N/A	79.4 Kg 175 LBS
E6412B2FP5	24 RU ENTERPRISE CABINET 600mm WIDE X 1070mm DEEP - FLAT PACKED (5) PER PALLET	01	01	02	02	02	04	229 Kg (5 X 45.8 Kg) 505 LBS (5 X 101 LBS)	N/A	324 Kg (5 X 61.2 Kg)+ (1 X 18 Kg) PALLET 715 LBS (5 X 135 LBS)+ (1 X 40 LBS) PALLET

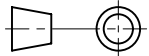
					TITLE		ENTERPRISE SERVER CONFIGURED CABINET 600mm WIDE x 1070mm DEEP FAMILY					
					CUSTOMER DRAWING							
					ITEM REVISION NAME		13V368ZC/00.PRT					
					DATASET FILE NAME		13V368ZC_DC/00A.PRT					
					UNLESS OTHERWISE SPECIFIED, DIMENSIONAL TOLERANCES ARE:		MATERIAL/COLOR:					
					INCHES +/- 0.03		METRIC - MILLIMETER		ANGLE			
					X.X +/- 0.01		X.X +/- 0.8		+/- 1°			
					X.XX +/- 0.018		X.X +/- 0.46		N/A			
					X.XXX +/- 0.007		X.XX +/- 0.18					
OOA	5-17-13	TKW	PBD		SEE SHEET 1 OF 5 FOR REVISIONS	13V368ZC-DC	 THIRD ANGLE PROJECTION		DRAWING NUMBER:		13V368ZC-DC	
REV	DATE	BY	CHK	APR	DESCRIPTION	ECN	DRAWN BY	DATE	CHK	SCALE	SHT 2 OF 5	SIZE
							TKW	5-17-13	PBD	NONE		A

THIS COPY IS PROVIDED ON A RESTRICTED BASIS AND IS NOT TO BE USED IN ANY WAY DETRIMENTAL TO THE INTERESTS OF PANDUIT CORP.



LEVELING LEGS SPACING
SOME PARTS REMOVED FOR CLARITY

REAR OF CABINET
BOTTOM VIEW

					TITLE ENTERPRISE SERVER CONFIGURED CABINET 600mm WIDE x 1070mm DEEP FAMILY								
					CUSTOMER DRAWING								
					ITEM REVISION NAME 13V368ZC/00.PRT			PANDUIT TM					
					DATASET FILE NAME 13V368ZC_DC/00A.PRT								
					UNLESS OTHERWISE SPECIFIED, DIMENSIONAL TOLERANCES ARE:								
					INCHES		METRIC - MILLIMETER		ANGLE				
					X.X +/- 0.03	X. +/- 0.8	+/- 1°						
					X.XX +/- 0.018	X.X +/- 0.46							
					X.XXX +/- 0.007	X.XX +/- 0.18							
					DRAWING NUMBER: 13V368ZC-DC								
OOA 5-17-13 TKW PBD SEE SHEET 1 OF 5 FOR REVISIONS 13V368ZC-DC					 THIRD ANGLE PROJECTION		DRAWN BY TKW		DATE 5-17-13	CHK PBD	SCALE NONE	SHT 5 OF 5	SIZE A

REV	DATE	BY	CHK	APR	DESCRIPTION	ECN
OOA	5-17-13	TKW	PBD		SEE SHEET 1 OF 5 FOR REVISIONS	13V368ZC-DC