



## Main

|                               |   |
|-------------------------------|---|
| Range of product              | OsiSense XU                                 |
| Series name                   | General purpose single mode                 |
| Electronic sensor type        | Photo-electric sensor                       |
| Sensor name                   | XUK   |
| Sensor design                 | Compact 50 x 50                             |
| Detection system              | Reflex                                      |
| Material                      | Plastic                                     |
| Type of output signal         | Discrete                                    |
| Supply circuit type           | DC  |
| Wiring technique              | 3-wire                                      |
| Discrete output type          | PNP   |
| Discrete output function      | 1 NC  |
| Electrical connection         | Cable                                       |
| Cable length                  | 6.56 ft (2 m)                               |
| Product specific application  | -   |
| Emission                      | Infrared reflex                             |
| [Sn] nominal sensing distance | 22.97 ft (7 m) reflex need reflector XUZC50 |

## Complementary

|                           |   |
|---------------------------|---|
| Enclosure material        | PBT   |
| Lens material             | PMMA  |
| Maximum sensing distance  | 32.81 ft (10 m) reflex                            |
| Output type               | Solid state                                       |
| Wire insulation material  | PVC   |
| Status LED                | 1 LED (yellow) output state                       |
| [Us] rated supply voltage | 12...24 V DC                                      |
| Switching capacity in mA  | <= 100 mA (overload and short-circuit protection) |
| Switching frequency       | <= 250 Hz   |
| Voltage drop              | <= 1.5 V (closed state)                           |
| Current consumption       | <= 35 mA (no-load)                                |
| Delay first up            | < 15 ms   |
| Delay response            | < 2 ms  |
| Delay recovery            | < 2 ms  |
| Setting-up                | Without sensitivity adjustment                    |
| Depth                     | 1.97 in (50 mm)                                   |
| Height                    | 1.97 in (50 mm)                                   |
| Width                     | 0.71 in (18 mm)                                   |
| Product weight            | 0.15 lb(US) (0.07 kg)                             |

## Environment

|                                       |   |
|---------------------------------------|---|
| product certifications                | CE<br>CSA<br>UL   |
| ambient air temperature for operation | -13...131 °F (-25...55 °C)  |
| ambient air temperature for storage   | -40...158 °F (-40...70 °C)  |
| vibration resistance                  | 7 gn, amplitude = +/- 1.5 mm (f = 10...55 Hz) conforming to IEC 60068-2-6 |
| shock resistance                      | 30 gn (duration = 11 ms) conforming to IEC 60068-2-27                     |
| IP degree of protection               | IP65 double insulation conforming to IEC 60529                            |

The information provided in this documentation contains general descriptions and/or technical characteristics of the products contained herein. This documentation is not intended as a substitute for and is not to be used for determining suitability or reliability of these products for specific user applications. It is the duty of any such user or integrator to perform the appropriate and complete risk analysis, evaluation and testing of the products with respect to the relevant specific application or use thereof. Neither Schneider Electric Industries SAS nor any of its affiliates or subsidiaries shall be responsible or liable for misuse of the information contained herein.

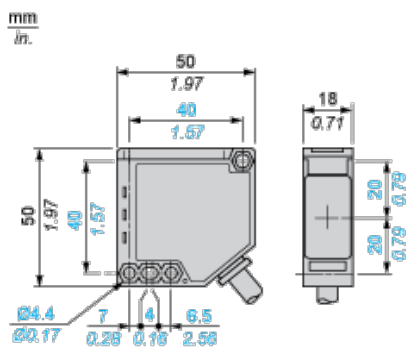
## Offer Sustainability

|  |  |
|--|--|
| Not Green Premium product  | Not Green Premium product  |
| Compliant - since 0841 - Schneider Electric declaration of conformity  | Compliant - since 0841 - Schneider Electric declaration of conformity  |
| Available  | Available  |
| Available  | Available  |
| WARNING: This product can expose you to chemicals including:   | WARNING: This product can expose you to chemicals including:   |
| Diisononyl phthalate (DINP), which is known to the State of California to cause cancer, and                                | Diisononyl phthalate (DINP), which is known to the State of California to cause cancer, and                                |
| Di-isodecyl phthalate (DIDP), which is known to the State of California to cause birth defects or other reproductive harm. | Di-isodecyl phthalate (DIDP), which is known to the State of California to cause birth defects or other reproductive harm. |
| For more information go to <a href="http://www.p65warnings.ca.gov">www.p65warnings.ca.gov</a>                              | For more information go to <a href="http://www.p65warnings.ca.gov">www.p65warnings.ca.gov</a>                              |

## Contractual warranty

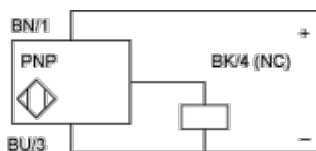
|                 |           |
|-----------------|-----------|
| Warranty period | 18 months |
|-----------------|-----------|

## Dimensions



## Wiring Schemes

### PNP Outputs

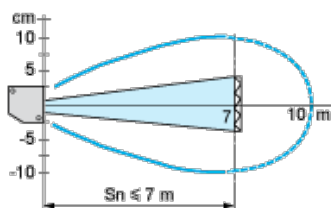


BN : Brown

BU : Blue

BK : Black

## Detection Curves



With reflector XUZC50