

4

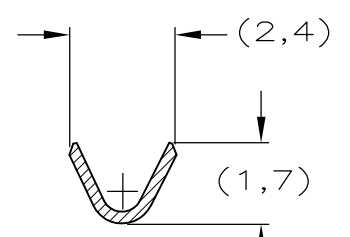
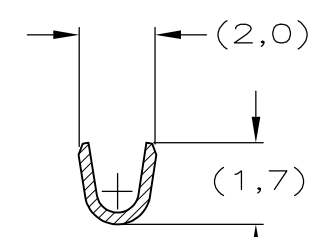
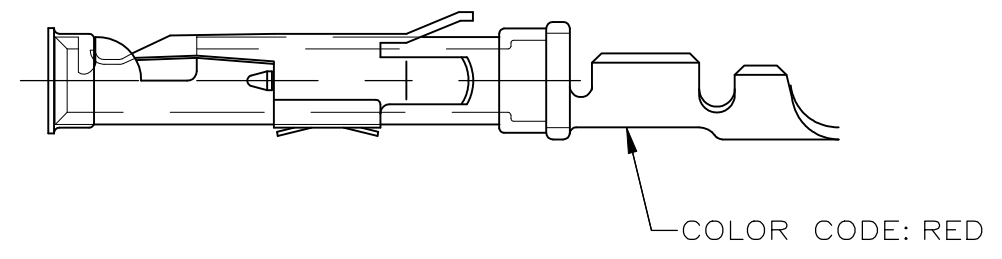
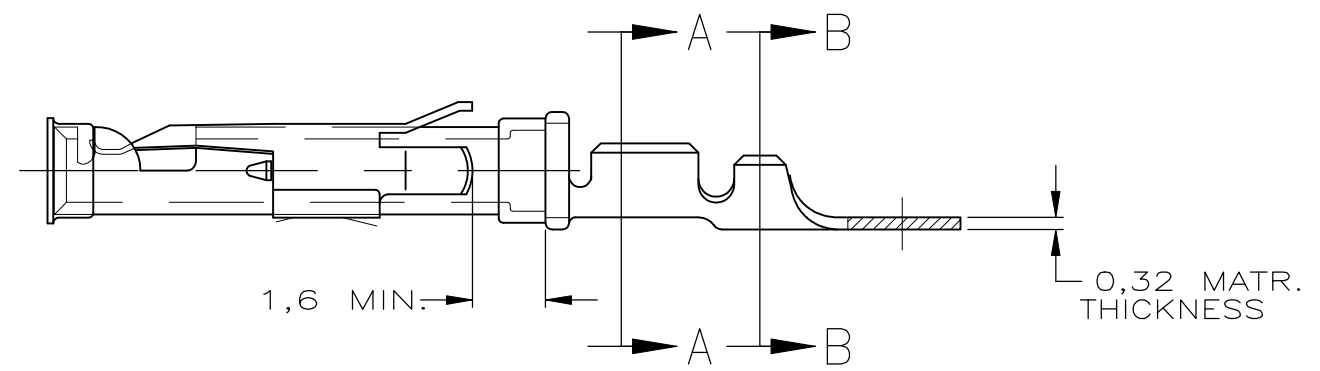
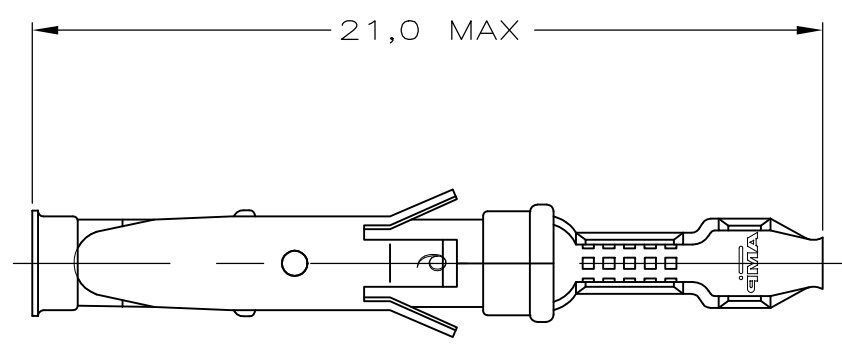
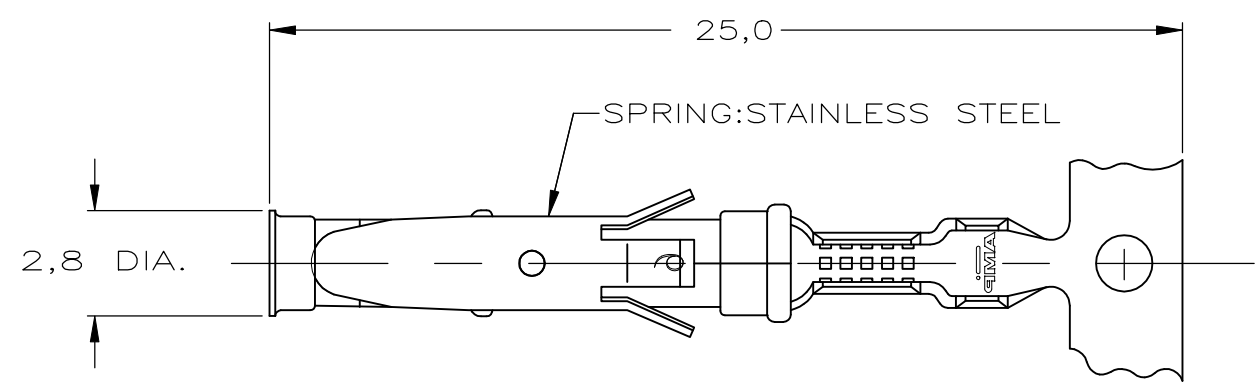
3

2

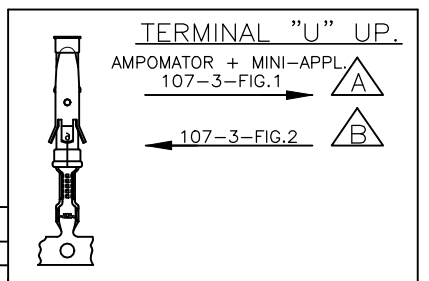
1

THIS DRAWING IS UNPUBLISHED. RELEASED FOR PUBLICATION
 © COPYRIGHT - By - ALL RIGHTS RESERVED.

REVISIONS				
P	LTR	DESCRIPTION	DATE	DWN APVD
	Y5	REVISED PER ECO-18-010674	06JUL2018	RS MZ



WIRE RANGE : 0,12-0,20 mm² (26-24 AWG)
 INSUL. RANGE : 0,9 -1,4 mm (.035-.055)



△ OBSOLETE	△	△	△	△	△	△
1-163091-3	A	51-163092-3	A	BRASS	EL.TIN	31 20
1-163091-2	A	1-163092-2	A	BRASS	BR.TIN	30
1-163091-1	A			BRASS	ECON.GOLD	21
1-163091-0	B	1-163092-0	B	BRASS	ECON.GOLD	21
163091-9	A			BRASS	EL.TIN	20
163091-8	A			BRASS	SEL.GOLD	22
△ OBSOLETE 1 163091-2	B	163092-2	B	BRASS	SEL.GOLD	22
△ OBSOLETE 1 163091-1	B	163092-1	B	BRASS	EL.TIN	20
		PART NUMBER	DIRECTION OF REEL	LOOSE-PIECE	MATERIAL	PLATING

- NOTES :
- 1 UL RECOGNIZED UNDER E28476 VOL VI SEC I
 - 2 FOR CRIMP DETAILS SEE SPEC. 114-19000
 - 3 MEETS PRODUCT SPECIFICATION 108-10042
 - 4 OBSOLETE PARTS: OBSOLETE CIS STREAMLINING PER D.RENAUD/D.SINISI
 - 5 OBSOLETE
 - 6 OMISSION OF 6 CONTACTS MAX PER REEL OF 5000PCS

NOTES	MATERIAL	THICKNESS	AREA
20	TIN	2,0 μm	ALL OVER
21	NICKEL GOLD TIN	0,8 μm	ALL OVER CONTACT AREA BARREL
22	NICKEL GOLD GOLD	0,8 μm	ALL OVER CONTACT AREA ALL OVER
23	NICKEL GOLD GOLD	1,2 μm	ALL OVER CONTACT AREA ALL OVER
27	NICKEL SILVER TIN	2,5 μm	ALL OVER CONTACT AREA BARREL
28	SILVER	0,5 μm	ALL OVER
29	SILVER	2,5 μm	ALL OVER
30	NICKEL TIN	1,27 μm	ALL OVER ALL OVER

THIS DRAWING IS A CONTROLLED DOCUMENT.

DIMENSIONS:	TOLERANCES UNLESS OTHERWISE SPECIFIED:
mm	0 PLC ± -
	1 PLC ± -
	2 PLC ± -
	3 PLC ± -
	4 PLC ± -
	ANGLES ± -
MATERIAL REFER TABLE	FINISH REFER TABLE

DWN	L.V.D.HEIJDEN	19.08.87
CHK	P.V.D.HAGEN	20.08.87
APVD	L.V.SOEST	20.08.87
PRODUCT SPEC	108-10042	
APPLICATION SPEC	114-19000	
WEIGHT		
CUSTOMER DRAWING		

STE TE Connectivity Ltd.

NAME: TYPE III+, SIZE 16, SOCKET ASS'Y, 26-24 AWG, 0.9-1.4mm DIA INSULATION

SIZE	CAGE CODE	DRAWING NO	RESTRICTED TO
A3	00779	C-163091	-

SCALE: - SHEET: 1 of 1 REV: Y5