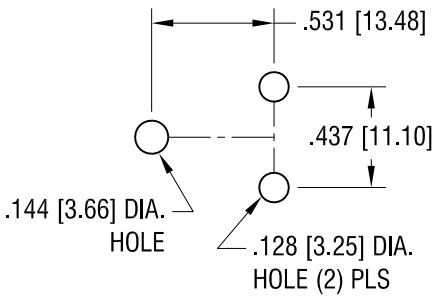
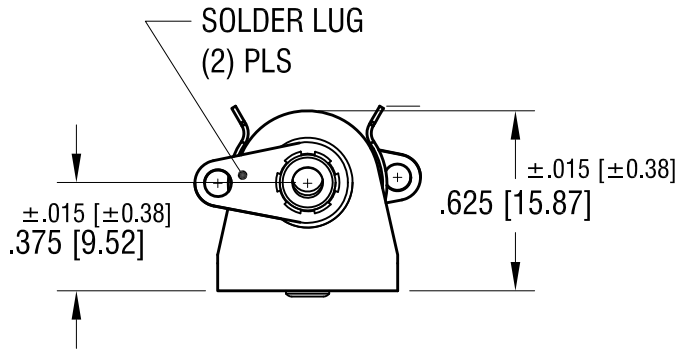
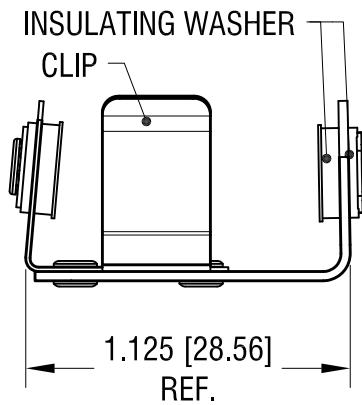
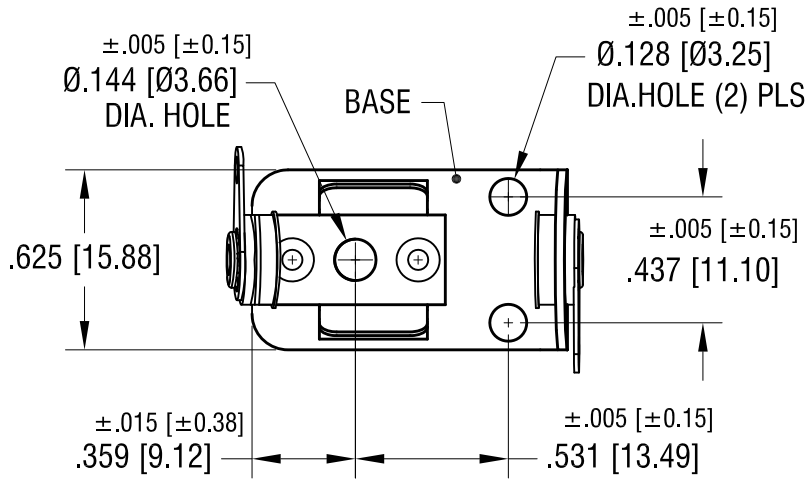
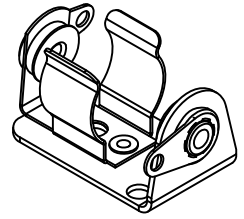


THIS DOCUMENT IS THE PROPERTY OF KEYSTONE ELECTRONICS CORP. AND SHALL NOT BE REPRODUCED, DISTRIBUTED OR USED AS A BASIS FOR MANUFACTURE WITHOUT PRIOR WRITTEN PERMISSION FROM KEYSTONE ELECTRONICS CORP.

MOUNTING DETAIL



ACTUAL SIZE



NOTES:

- 1. BASE: MAT'L - .032 [.81] TH'K STEEL
FINISH - NICKEL PLATE
- CLIP: MAT'L - .015 [.38] TH'K STEEL
FINISH - NICKEL PLATE
- TERMINAL LUG: MAT'L - .016 [.41] TH'K BRASS
FINISH - TIN PLATE

KEYSTONE ELECTRONICS CORP.

www.keyelco.com • ASTORIA, N.Y. 11105-2017 • Tel (718) 956-8900

| | | | |
|-----------------------------------|---------------|--------|---------|
| PART NAME | | | |
| INSULATED BATTERY HOLDER, '1/2AA' | | | |
| MATERIAL | | | |
| AS NOTED | | | |
| FINISH | | DRN BY | DATE |
| AS NOTED | | BOONE | 6.4.07 |
| | | APP'D | SCALE |
| | | LN | 1.5X |
| TOLERANCES | INCH [MM] | CODE | DWG NO. |
| DECIMAL | ±.010 [±0.25] | C | 1103 |
| ANGULAR | ± 1° | | |
| UNLESS OTHERWISE SPECIFIED | | | |

| | | |
|----------|--------------------------|------|
| 12.10.13 | CHANGE AS PER ECN 13-112 | B |
| 7.20.10 | CHANGE AS PER ECN 10-055 | A |
| DATE | DESCRIPTION | REV. |