

CMFD2004i

**SURFACE MOUNT  
DUAL ISOLATED HIGH VOLTAGE  
SILICON SWITCHING DIODES**

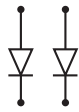


[www.centrasemi.com](http://www.centrasemi.com)

**DESCRIPTION:**

The CENTRAL SEMICONDUCTOR CMFD2004i consists of two electrically Isolated high voltage switching diodes packaged in an epoxy molded SOT-143 surface mount case. This device is designed for switching applications requiring dual high voltage diodes.

**MARKING CODE: CJP**



**SOT-143 CASE**

**MAXIMUM RATINGS:** ( $T_A=25^\circ\text{C}$ )

Continuous Reverse Voltage
Peak Repetitive Reverse Voltage
Peak Repetitive Reverse Current
Continuous Forward Current
Peak Repetitive Forward Current
Peak Forward Surge Current, $t_p=1.0\mu\text{s}$
Peak Forward Surge Current, $t_p=1.0\text{s}$
Power Dissipation
Operating and Storage Junction Temperature
Thermal Resistance

**SYMBOL**

$V_R$	240
$V_{RRM}$	300
$I_O$	200
$I_F$	225
$I_{FRM}$	450
$I_{FSM}$	4.0
$I_{FSM}$	1.0
$P_D$	350
$T_J, T_{stg}$	-65 to +150
$\Theta_{JA}$	357

**UNITS**

V
V
mA
mA
mA
A
A
mW
$^\circ\text{C}$
$^\circ\text{C/W}$

**ELECTRICAL CHARACTERISTICS PER DIODE:** ( $T_A=25^\circ\text{C}$  unless otherwise noted)

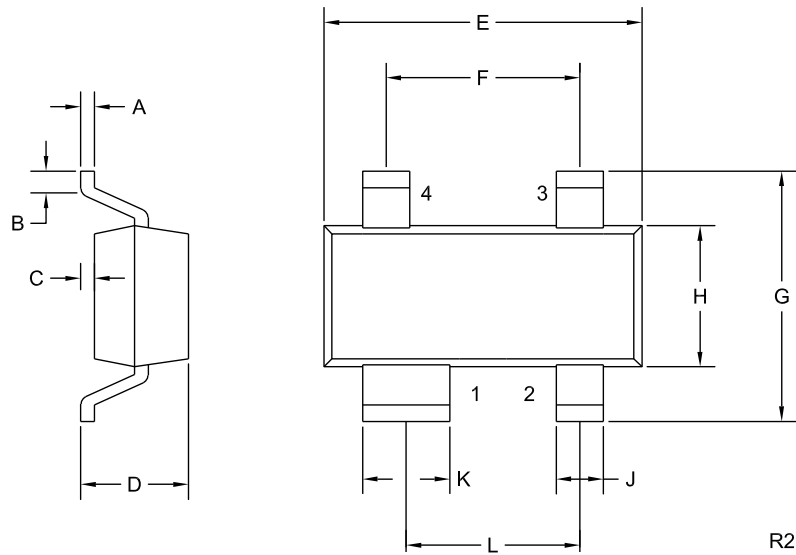
SYMBOL	TEST CONDITIONS	MIN	MAX	UNITS
$I_R$	$V_R=240\text{V}$		100	nA
$I_R$	$V_R=240\text{V}, T_A=150^\circ\text{C}$		100	$\mu\text{A}$
$BV_R$	$I_R=100\mu\text{A}$	300		V
$V_F$	$I_F=100\text{mA}$		1.0	V
$C_T$	$V_R=0, f=1.0\text{MHz}$		5.0	pF
$t_{rr}$	$I_F=I_R=30\text{mA}, I_{rr}=3.0\text{mA}, R_L=100\Omega$		50	ns

CMFD2004i

**SURFACE MOUNT  
DUAL ISOLATED HIGH VOLTAGE  
SILICON SWITCHING DIODES**

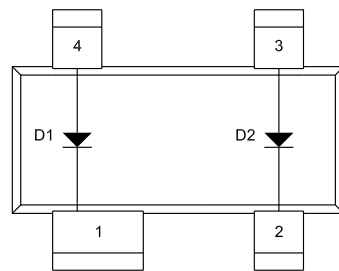


**SOT-143 CASE - MECHANICAL OUTLINE**



R2

**PIN CONFIGURATION**



**LEAD CODE:**

- 1) Cathode D1
- 2) Cathode D2
- 3) Anode D2
- 4) Anode D1

**MARKING CODE: CJP**

SYMBOL	DIMENSIONS			
	INCHES		MILLIMETERS	
	MIN	MAX	MIN	MAX
A	0.003	0.006	0.08	0.15
B	0.006	-	0.15	-
C	-	0.005	-	0.13
D	-	0.045	-	1.14
E	0.110	0.120	2.79	3.04
F	0.075		1.90	
G	-	0.098	-	2.50
H	0.047	0.055	1.19	1.40
J	0.014	0.020	0.36	0.50
K	0.030	0.037	0.76	0.93
L	0.067		1.70	

SOT-143 (REV: R2)

R5 (13-August 2010)

## OUTSTANDING SUPPORT AND SUPERIOR SERVICES



---

### PRODUCT SUPPORT

Central's operations team provides the highest level of support to insure product is delivered on-time.

- Supply management (Customer portals)
- Inventory bonding
- Consolidated shipping options
- Custom bar coding for shipments
- Custom product packing

---

### DESIGNER SUPPORT/SERVICES

Central's applications engineering team is ready to discuss your design challenges. Just ask.

- Free quick ship samples (2<sup>nd</sup> day air)
- Online technical data and parametric search
- SPICE models
- Custom electrical curves
- Environmental regulation compliance
- Customer specific screening
- Up-screening capabilities
- Special wafer diffusions
- PbSn plating options
- Package details
- Application notes
- Application and design sample kits
- Custom product and package development

---

### CONTACT US

#### Corporate Headquarters & Customer Support Team

Central Semiconductor Corp.  
145 Adams Avenue  
Hauppauge, NY 11788 USA  
Main Tel: (631) 435-1110  
Main Fax: (631) 435-1824  
Support Team Fax: (631) 435-3388  
[www.centrasemi.com](http://www.centrasemi.com)

**Worldwide Field Representatives:**  
[www.centrasemi.com/wwreps](http://www.centrasemi.com/wwreps)

**Worldwide Distributors:**  
[www.centrasemi.com/wwdistributors](http://www.centrasemi.com/wwdistributors)

---

For the latest version of Central Semiconductor's **LIMITATIONS AND DAMAGES DISCLAIMER**, which is part of Central's Standard Terms and Conditions of sale, visit: [www.centrasemi.com/terms](http://www.centrasemi.com/terms)