



Panel Mount Lenses for T-1 3/4 (5mm) LEDs

DESCRIPTION AND FEATURES

Series 4311, 4312, 4313, 4315, 4316, 4317

- These lenses provide quick and economical panel mounting, plus electrostatic discharge protection, for T-1 3/4 high dome LEDs. Molded-in Fresnel rings spread light evenly, provide wide viewing angle viewing (up to 180°) and bright attractive appearance. Use with narrow-beam LED series 4305H, 4308H and 4310H.

Material: Polycarbonate

Mounting Hole: Snap into Ø.248-.248 hole in panels .060-.130 thick.

| MODEL | LENS COLOR |
|-------|------------|
| 4311 | Red |
| 4312 | Clear |
| 4313 | Amber |
| 4315 | Green |
| 4316 | Blue |
| 4317 | Yellow |

Series 4321, 4323, 4322, 4325, 4326, 4327

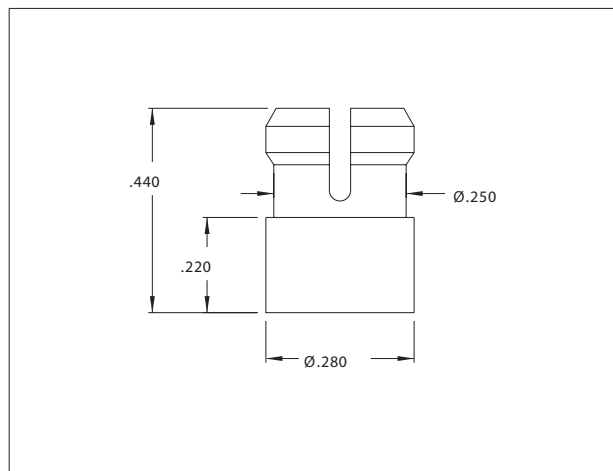
- These lenses provide quick and economical panel mounting, plus electrostatic discharge protection, for T-1 3/4 high dome LEDs. Molded-in Fresnel rings spread light evenly, provide wide viewing angle viewing (up to 180°) and bright attractive appearance. Use with narrow-beam LED series 4305H, 4308H and 4310H.

Material: Polycarbonate

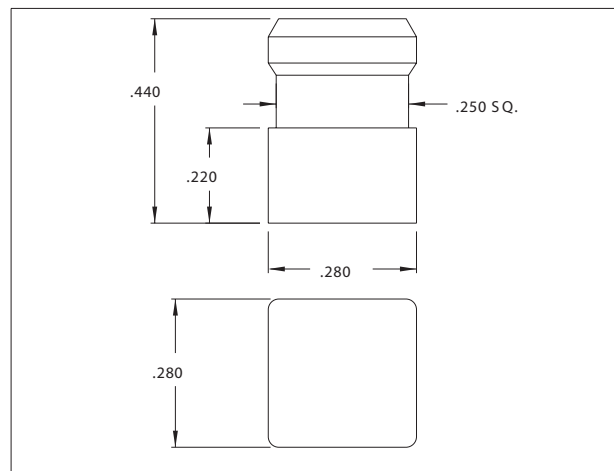
Mounting Hole: Snap into .248-.248 square hole in panels .060-.130 thick. Square lenses may also be gang mounted in slotted hole .280 times number of lenses minus .030 long.

| MODEL | LENS COLOR |
|-------|------------|
| 4321 | Red |
| 4322 | Clear |
| 4323 | Amber |
| 4325 | Green |
| 4326 | Blue |
| 4327 | Yellow |

OUTLINE DIMENSIONS



OUTLINE DIMENSIONS



All dimensions in inches.