

| LOC | DIST | REVISIONS |     |                                       |           |     |      |
|-----|------|-----------|-----|---------------------------------------|-----------|-----|------|
|     |      | P         | LTR | DESCRIPTION                           | DATE      | DWN | APVD |
| HJ  | -    |           | B13 | ECR-12-014500 (IMD obsolete)          | 18DEC2012 | UKo | AK   |
|     |      |           | B14 | ECR-12-021486 (Marking C to Q)        | 20DEC2012 | UKo | JB   |
|     |      |           | C   | ECR-13-014508                         | 13JUN2013 | UKo | AK   |
|     |      |           | C1  | ECR-14-007162 (Packaging information) | 13OCT2015 | AP  | AK   |



Order Number - ABCCCC  
 Portugal made:  
 A - Packing day  
 B - Shift (1=day, 2=night)  
 C - Lot number (sequential)  
 Other country made:  
 A - Year (first digit)  
 B - Year (second digit)  
 C - Lot number (sequential)

H swiss made (until 2013)  
 PT Portugal made  
 Q China made  
 C China made (until 2012)  
 date code (YYWW)


Packaging data code (Box, bag, reels):  
 P(YWWDSL)000  
 Shipping data code:  
 YYWWDD

P - Product code (4 to IM relay)  
 Y(Y) - Year (last digit for packaging)  
 WW - calendar week (from date code)  
 D - Day of the week (1=Sat,.....and 7=Fri)  
 S - Shift (1=day shift, 2 night shift)  
 L - Production Line (line A, B, C)  
 000 - For internal use

| Relay-Typ | Mark 1) | Mark 2) | PN (GR)     | PN (JR)     | PN (TS)     | PN (KS/NS)  |
|-----------|---------|---------|-------------|-------------|-------------|-------------|
| IM00..    | 00      | 1.5     | 3-1462037-7 |             | 3-1462037-5 |             |
| IM00NS    | 00N     | 1.5     |             |             |             |             |
| IM01..    | 01      | 3       | 1462037-1   | 4-1462037-0 | 1462037-4   |             |
| IM01B..   | 01B     | 3       | 4-1462039-5 |             |             |             |
| IM01C..   | 01C     | 3       | 1462038-4   |             |             |             |
| IM01NS    | 01N     | 3       |             |             |             | 1-1462038-1 |
| IM01N..L  | 01N     | 3       |             |             |             | 4-1462039-3 |
| IM02..    | 02      | 4.5     | 1462037-9   | 1-1462037-1 | 1-1462037-3 | 6-1462039-4 |
| IM02..    | 02      | 4.5     | 8-1462039-1 |             |             |             |
| IM02..L   | 02      | 4.5     | 2-1462039-3 |             |             |             |
| IM02C..   | 02C     | 4.5     | 1462038-1   |             |             |             |
| IM02D..   | 02D     | 4.5     | 9-1462038-8 |             |             |             |
| IM02H..   | 02H     | 4.5     | 1-1462039-1 |             |             |             |
| IM02NS    | 02N     | 4.5     |             |             |             | 1-1462038-2 |

\*obsolete

DRAWING ALIAS: IM0C-DOK17

|  |                  |           |  |           |              |               |
|--|------------------|-----------|--|-----------|--------------|---------------|
| DIMENSIONS:<br>mm                                    | DWN<br>HD 9121   | 21FEB2003 | MATERIAL   | -         | FINISH       | -             |
|  | CHK<br>HD 9121   | 21FEB2003 |  TE Connectivity |           |              |               |
| TOLERANCES UNLESS OTHERWISE SPECIFIED:<br>DIN 7168-m | APVD<br>HD 9121  | 21FEB2003 |  |           |              |               |
| 0 PLC ±-   | PRODUCT SPEC     | -         | NAME<br>IM-Relay Marking   |           |              |               |
| 1 PLC ±-   | APPLICATION SPEC | -         | SIZE   | CAGE CODE | DRAWING NO   | RESTRICTED TO |
| 2 PLC ±-   | WEIGHT           | -         | A4   | 00779     | C- 1462037-1 | -             |
| 3 PLC ±-   | CUSTOMER DRAWING |           |  |           |              |               |
| 4 PLC ±-   | SCALE            |           |  | 10:1      | SHEET 1 OF 6 |               |
| ANGLES ±-  | REV C1           |           |  |           |              |               |

|     |      |           |     |             |      |     |      |
|-----|------|-----------|-----|-------------|------|-----|------|
| LOC | DIST | REVISIONS |     |             |      |     |      |
| HJ  | -    | P         | LTR | DESCRIPTION | DATE | DWN | APVD |
|     |      | -         |     | SEE SHEET 1 | -    | -   | -    |
|     |      |           |     |             |      |     |      |
|     |      |           |     |             |      |     |      |

| Relay-Typ | Mark 1) | Mark 2) | PN (GR)     | PN (JR)     | PN (TS)     | PN (KS/NS)  |
|-----------|---------|---------|-------------|-------------|-------------|-------------|
| IM02NS..L | 02N     | 4.5     |             |             |             | 2-1462039-4 |
| IM02PNS   | 02P     | 4.5     |             |             |             | 5-1462039-8 |
| IM03..    | 03      | 5       | 1-1462037-4 | 1-1462037-6 | 1-1462037-8 |             |
| IM03..L   | 03      | 5       | 2-1462039-5 |             |             |             |
| IM03..X   | 03      | 5       | 8-1462039-6 |             |             |             |
| IM03C..   | 03C     | 5       | 1462038-2   |             | 4-1462039-7 |             |
| IM03D..   | 03D     | 5       | 9-1462038-9 | 3-1462039-3 | 8-1462039-3 |             |
| IM03NS    | 03N     | 5       |             |             |             | 1-1462038-3 |
| IM03P..   | 03P     | 5       | 5-1462039-5 |             |             |             |
| IM03PNS   | 03P     | 5       |             |             |             | 5-1462039-9 |
| IM04..    | 04      | 6       | 4-1462037-2 | 4-1462037-4 | 4-1462037-1 |             |
| IM04B..   | 04B     | 6       | 6-1462039-5 |             |             |             |
| IM04NS    | 04N     | 6       |             |             |             | 1-1462038-4 |
| IM05..    | 05      | 9       | 3-1462037-4 | 4-1462037-5 | 2-1462037-2 |             |
| IM05B..   | 05B     | 9       | 5-1462039-3 |             |             |             |
| IM05C..   | 05C     | 9       | 1462038-3   |             |             |             |
| IM05D..   | 05D     | 9       | 1-1462039-7 |             |             |             |
| IM05NS    | 05N     | 9       |             |             |             | 1-1462038-5 |
| IM06..    | 06      | 12      | 2-1462037-3 | 4-1462037-6 | 2-1462037-7 |             |
| IM06C..   | 06C     | 12      | 9-1462037-9 | 3-1462039-4 | 4-1462037-9 |             |
| IM06D..   | 06D     | 12      | 1-1462039-8 | 7-1462039-0 | 3-1462039-8 |             |
| IM06NS    | 06N     | 12      |             |             |             | 1-1462038-6 |
| IM06P..   | 06P     | 12      | 5-1462039-6 |             |             |             |
| IM06PNS   | 06P     | 12      |             |             |             | 6-1462039-0 |
| IM07..    | 07      | 24      | 4-1462037-7 | 4-1462037-8 | 3-1462037-0 |             |

\*obsolete

DRAWING ALIAS: IM0C-DOK17

|  |                  |           |  |               |
|--|------------------|-----------|--|---------------|
| DIMENSIONS:<br>mm                                    | DWN<br>HD 9121   | 21FEB2003 | MATERIAL   | FINISH        |
|  | CHK<br>HD 9121   | 21FEB2003 |  |               |
| TOLERANCES UNLESS OTHERWISE SPECIFIED:<br>DIN 7168-m | APVD<br>HD 9121  | 21FEB2003 |  TE Connectivity |               |
|  | PRODUCT SPEC     |           |  |               |
| 0 PLC ±-   | APPLICATION SPEC |           | NAME<br>IM-Relay Marking   |               |
| 1 PLC ±-   |                  |           |  |               |
| 2 PLC ±-   | WEIGHT           |           | SIZE   | CAGE CODE     |
| 3 PLC ±-   |                  |           | A4   | 00779         |
| 4 PLC ±-   |                  |           | DRAWING NO   | RESTRICTED TO |
| ANGLES ±-  |                  |           | C-1462037-1  | -             |
| CUSTOMER DRAWING                                     |                  |           | SCALE  | SHEET         |
|  |                  |           | 10:1   | 2 OF 6        |
|  |                  |           |  | REV C1        |

2000

RELEASED FOR PUBLICATION

ALL RIGHTS RESERVED.

© COPYRIGHT 2000

THIS DRAWING IS UNPUBLISHED.

|                  |                  |           |     |             |      |     |      |
|------------------|------------------|-----------|-----|-------------|------|-----|------|
| LOC<br><b>HJ</b> | DIST<br><b>-</b> | REVISIONS |     |             |      |     |      |
|                  |                  | P         | LTR | DESCRIPTION | DATE | DWN | APVD |
|                  |                  | -         |     | SEE SHEET 1 | -    | -   | -    |
|                  |                  |           |     |             |      |     |      |
|                  |                  |           |     |             |      |     |      |

2000

RELEASED FOR PUBLICATION

THIS DRAWING IS UNPUBLISHED.

ALL RIGHTS RESERVED.

© COPYRIGHT 2000

| Relay-Typ | Mark 1) | Mark 2) | PN (GR)     | PN (JR)     | PN (TS)     | PN (KS/NS)  |
|-----------|---------|---------|-------------|-------------|-------------|-------------|
| IM07C..   | 07C     | 24      | 1462039-2   |             | 1462039-1   |             |
| IM07D..   | 07D     | 24      |             | 7-1462039-4 | 7-1462039-2 |             |
| IM07NS    | 07N     | 24      |             |             |             | 1-1462038-7 |
| IM08I..   | 08I     | 2.4     |             |             | 1462047-3   |             |
| IM11..    | 11      | 3       | 9-1462038-5 |             |             |             |
| IM12..    | 12      | 4.5     | 1462039-3   |             |             |             |
| IM13..    | 13      | 5       | 1462039-4   |             |             |             |
| IM15..    | 15      | 9       | 8-1462039-5 |             |             |             |
| IM16..    | 16      | 12      | 1462039-5   |             |             |             |
| IM17..    | 17      | 24      | 1462039-6   |             | 4-1462039-6 |             |
| IM21..    | 21      | 3       | 2-1462039-6 |             | 1-1462039-5 |             |
| IM22..    | 22      | 4.5     | 2-1462039-7 |             | 2-1462039-8 |             |
| IM23..    | 23      | 5       | 2-1462039-9 |             | 3-1462039-0 | 6-1462039-7 |
| IM25..    | 25      | 9       | 3-1462039-5 |             |             |             |
| IM26..    | 26      | 12      | 3-1462039-1 |             | 3-1462039-2 |             |
| IM40..    | 40      | 1.5     | 5-1462037-1 |             |             |             |
| IM40D..   | 40D     | 1.5     | 8-1462039-4 |             |             |             |
| IM40NS    | 40N     | 1.5     |             |             |             | 1-1462038-8 |
| IM41..    | 41      | 3       | 5-1462037-4 | 5-1462037-5 | 5-1462037-3 |             |
| IM41C..   | 41C     | 3       | 4-1462039-2 |             |             |             |
| IM41D..   | 41D     | 3       | 6-1462039-8 |             |             |             |
| IM41NS    | 41N     | 3       |             |             |             | 1-1462038-9 |
| IM42..    | 42      | 4.5     | 3-1462037-1 | 5-1462037-7 | 5-1462037-6 |             |
| IM42C..   | 42C     | 4.5     | 4-1462039-1 |             |             |             |
| IM42D..   | 42D     | 4.5     | 1-1462039-9 |             |             |             |

\*obsolete

DRAWING ALIAS: IM0C-DOK17

|   |                 |           |  |                      |
|---|-----------------|-----------|--|----------------------|
| DIMENSIONS:<br><b>mm</b>  | DWN<br>HD 9121  | 21FEB2003 | MATERIAL   | FINISH               |
|   | CHK<br>HD 9121  | 21FEB2003 |  |                      |
| TOLERANCES UNLESS OTHERWISE SPECIFIED:<br>DIN 7168-m                                | APVD<br>HD 9121 | 21FEB2003 |  TE Connectivity |                      |
|   | PRODUCT SPEC    |           |  |                      |
| 0 PLC ±-  |                 |           | NAME<br><b>IM-Relay Marking</b>  |                      |
| 1 PLC ±-  |                 |           |  |                      |
| 2 PLC ±-  |                 |           | SIZE   | CAGE CODE            |
| 3 PLC ±-  |                 |           | <b>A4</b>  | 00779                |
| 4 PLC ±-  |                 |           | DRAWING NO   | RESTRICTED TO        |
| ANGLES ±-   |                 |           | <b>C</b> - 1462037-1   | -                    |
|  | WEIGHT          | -         | CUSTOMER DRAWING   |                      |
|   |                 |           | SCALE  | SHEET                |
|   |                 |           | <b>10:1</b>  | <b>3</b> OF <b>6</b> |
|   |                 |           |  | REV <b>C1</b>        |

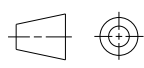
|                  |                  |           |     |             |      |     |      |
|------------------|------------------|-----------|-----|-------------|------|-----|------|
| LOC<br><b>HJ</b> | DIST<br><b>-</b> | REVISIONS |     |             |      |     |      |
|                  |                  | P         | LTR | DESCRIPTION | DATE | DWN | APVD |
|                  |                  | -         |     | SEE SHEET 1 | -    | -   | -    |
|                  |                  |           |     |             |      |     |      |
|                  |                  |           |     |             |      |     |      |

2000  
 RELEASED FOR PUBLICATION  
 ALL RIGHTS RESERVED.  
 THIS DRAWING IS UNPUBLISHED.  
 COPYRIGHT 2000

| Relay-Typ | Mark 1) | Mark 2) | PN (GR)     | PN (JR)     | PN (TS)     | PN (KS/NS)  |
|-----------|---------|---------|-------------|-------------|-------------|-------------|
| IM42DNS   | 42D     | 4.5     |             |             |             | 1-1462039-6 |
| IM42NS    | 42N     | 4.5     |             |             |             | 2-1462038-0 |
| IM42P..   | 42P     | 4.5     | 5-1462039-7 |             |             |             |
| IM42PNS   | 42P     | 4.5     |             |             |             | 7-1462039-8 |
| IM43..    | 43      | 5       | 5-1462037-9 | 6-1462037-0 | 5-1462037-8 |             |
| IM43C..   | 43C     | 5       | 9-1462038-7 |             |             |             |
| IM43NS    | 43N     | 5       |             |             |             | 2-1462038-1 |
| IM44..    | 44      | 6       | 6-1462037-2 | 6-1462037-3 | 6-1462037-1 |             |
| IM44NS    | 44N     | 6       |             |             |             | 2-1462038-2 |
| IM45..    | 45      | 9       | 6-1462037-4 | 6-1462037-5 | 3-1462037-2 |             |
| IM45I..   | 45I     | 9       | 1462047-5   |             |             |             |
| IM45NS    | 45      | 9       |             |             |             | 2-1462038-3 |
| IM46..    | 46      | 12      | 6-1462037-7 | 6-1462037-8 | 6-1462037-6 |             |
| IM46C..   | 46C     | 12      | 8-1462039-0 |             |             |             |
| IM46NS    | 46N     | 12      |             |             |             | 2-1462038-4 |
| IM46PNS   | 46P     | 12      |             |             |             | 6-1462039-1 |
| IM47..    | 47      | 24      | 7-1462037-0 |             | 6-1462037-9 |             |
| IM47D..   | 47D     | 24      |             | 7-1462039-5 |             |             |
| IM47NS    | 47N     | 24      |             |             |             | 2-1462038-5 |
| IM48..    | 48      | 2.4     | 1462039-8   |             |             |             |
| IM48D..   | 48D     | 2.4     | 1462039-9   |             |             |             |
| IM48I..   | 48I     | 2.4     | 1462047-1   |             |             |             |
| IM49I..   | 49I     | 2       | 1462047-4   |             |             |             |
|           |         |         |             |             |             |             |

\*obsolete

DRAWING ALIAS: **IM0C-DOK17**

|  |                 |           |   |                      |
|--|-----------------|-----------|---|----------------------|
| DIMENSIONS:<br><b>mm</b>   | DWN<br>HD 9121  | 21FEB2003 | MATERIAL  | FINISH               |
|  | CHK<br>HD 9121  | 21FEB2003 |   |                      |
| TOLERANCES UNLESS OTHERWISE SPECIFIED:<br>DIN 7168-m                               | APVD<br>HD 9121 | 21FEB2003 |  <b>TE Connectivity</b> |                      |
|  | PRODUCT SPEC    |           |   |                      |
| 0 PLC ±-   |                 |           | <b>IM-Relay Marking</b>   |                      |
| 1 PLC ±-   |                 |           |   |                      |
| 2 PLC ±-   |                 |           | NAME  |                      |
| 3 PLC ±-   |                 |           | SIZE  | CAGE CODE            |
| 4 PLC ±-   |                 |           | DRAWING NO  | RESTRICTED TO        |
| ANGLES ±-  |                 |           | <b>A4</b>   | <b>00779</b>         |
|  | WEIGHT          |           | <b>C</b>  | <b>1462037-1</b>     |
|  |                 |           | <b>CUSTOMER DRAWING</b>   |                      |
|  |                 |           | SCALE   | SHEET                |
|  |                 |           | <b>10:1</b>   | <b>4</b> OF <b>6</b> |
|  |                 |           |   | REV <b>C1</b>        |

|                  |                  |           |     |             |      |     |      |
|------------------|------------------|-----------|-----|-------------|------|-----|------|
| LOC<br><b>HJ</b> | DIST<br><b>-</b> | REVISIONS |     |             |      |     |      |
|                  |                  | P         | LTR | DESCRIPTION | DATE | DWN | APVD |
|                  |                  | -         |     | SEE SHEET 1 | -    | -   | -    |
|                  |                  |           |     |             |      |     |      |
|                  |                  |           |     |             |      |     |      |

2000

RELEASED FOR PUBLICATION

THIS DRAWING IS UNPUBLISHED.


ALL RIGHTS RESERVED.

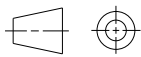
© COPYRIGHT 2000

| Relay-Typ | Mark 1) | Mark 2) | PN (GR)     | PN (JR) | PN (TS)     | PN (KS/NS) |
|-----------|---------|---------|-------------|---------|-------------|------------|
| IM61..    | 61      | 3       | 7-1462039-7 |         |             |            |
| IM68..    | 68      | 2.4     | 8-1462039-2 |         |             |            |
|           |         |         |             |         |             |            |
|           |         |         |             |         |             |            |
| IMB01C..  | B01C    | 3       | 1462041-1   |         | 1462041-4   |            |
| IMB02C..  | B02C    | 4.5     | 1462041-2   |         |             |            |
| IMB03C..  | B03C    | 5       | 1462041-7   |         |             |            |
| IMB03C..E | B03C    | 5       | 1-1462041-8 |         |             |            |
| IMB04C..  | B04C    | 6       | 1462041-9   |         | 1-1462041-1 |            |
| IMB05C..  | B05C    | 9       | 1-1462041-0 |         | 1-1462041-2 |            |
| IMB06C..  | B06C    | 12      | 1462041-3   |         | 1462041-6   |            |
| IMB07C..  | B07C    | 24      | 1-1462041-3 |         | 1-1462041-4 |            |
|           |         |         |             |         |             |            |
|           |         |         |             |         |             |            |
| IMB32B..  | B32B    | 4.5     | 2-1462041-0 |         |             |            |
| IMB33B..  | B33B    | 5       | 1-1462041-9 |         |             |            |
| IMB41C..  | B41C    | 3       | 1-1462041-7 |         |             |            |
| IMB42C..  | B42C    | 4.5     | 1-1462041-6 |         | 1-1462041-5 |            |
|           |         |         |             |         |             |            |
|           |         |         |             |         |             |            |
|           |         |         |             |         |             |            |

\*obsolete

DRAWING ALIAS: **IM0C-DOK17**

|  |                 |           |   |           |                      |               |
|--|-----------------|-----------|---|-----------|----------------------|---------------|
| DIMENSIONS:<br><b>mm</b>                             | DWN<br>HD 9121  | 21FEB2003 | MATERIAL  | FINISH    |                      |               |
|  | CHK<br>HD 9121  | 21FEB2003 |   |           |                      |               |
| TOLERANCES UNLESS OTHERWISE SPECIFIED:<br>DIN 7168-m | APVD<br>HD 9121 | 21FEB2003 |  <b>TE</b> Connectivity |           |                      |               |
|  | PRODUCT SPEC    |           |   |           |                      |               |
| 0 PLC ±-   |                 |           | NAME<br><b>IM-Relay Marking</b>   |           |                      |               |
| 1 PLC ±-   |                 |           |   |           |                      |               |
| 2 PLC ±-   |                 |           | SIZE  | CAGE CODE | DRAWING NO           | RESTRICTED TO |
| 3 PLC ±-   |                 |           | <b>A4</b>   | 00779     | <b>C</b> - 1462037-1 | -             |
| 4 PLC ±-   |                 |           | CUSTOMER DRAWING  |           |                      |               |
| ANGLES ±-  |                 |           | SCALE   | SHEET     | OF                   | REV           |
|  |                 |           | <b>10:1</b>   | <b>5</b>  | <b>6</b>             | <b>C1</b>     |



|                  |                  |           |     |             |      |     |      |
|------------------|------------------|-----------|-----|-------------|------|-----|------|
| LOC<br><b>HJ</b> | DIST<br><b>-</b> | REVISIONS |     |             |      |     |      |
|                  |                  | P         | LTR | DESCRIPTION | DATE | DWN | APVD |
|                  |                  | -         |     | SEE SHEET 1 | -    | -   | -    |
|                  |                  |           |     |             |      |     |      |
|                  |                  |           |     |             |      |     |      |

2000

RELEASED FOR PUBLICATION

ALL RIGHTS RESERVED.

© COPYRIGHT 2000

| Relay-Typ | Mark 1) | Mark 2) | PN (GR)     | PN (JR) | PN (TS)     | PN (KS/NS) |
|-----------|---------|---------|-------------|---------|-------------|------------|
| IMC01..   | C01     | 3       | 1462042-1   |         | 1462042-4   |            |
| IMC02..   | C02     | 4.5     | 1462042-2   |         | 1462042-5   |            |
| IMC03..   | C03     | 5       | 1462042-8   |         | 1462042-7   |            |
| IMC06..   | C06     | 12      | 1462042-3   |         | 1462042-6   |            |
| IMC07..   | C07     | 24      | 1-1462042-1 |         | 1-1462042-2 |            |
|           |         |         |             |         |             |            |
| IMC02C..  | C02C    | 4.5     | 1-1462042-0 |         |             |            |
| IMC03C..  | C03C    | 5       | 1-1462042-5 |         |             |            |
| IMC06C..  | C06C    | 12      | 1462042-9   |         | 1-1462042-4 |            |
| IMC41C..  | C41C    | 3       |             |         | 1-1462042-3 |            |
|           |         |         |             |         |             |            |
|           |         |         |             |         |             |            |
|           |         |         |             |         |             |            |
| IME01..   | E01     | 3       | 1462043-1   |         | 1462043-5   |            |
| IME02..   | E02     | 4.5     | 1462043-2   |         | 1462043-6   |            |
| IME03..   | E03     | 5       | 1462043-3   |         | 1462043-7   |            |
| IME06..   | E06     | 12      | 1462043-4   |         | 1462043-8   |            |
|           |         |         |             |         |             |            |
| IMF61..   | F61     | 3       | 1462048-3   |         |             |            |
| IMF68..   | F68     | 2.4     | 1-1462048-0 |         |             |            |
|           |         |         |             |         |             |            |
|           |         |         |             |         |             |            |

\*obsolete

DRAWING ALIAS: **IM0C-DOK17**

|  |                  |  |   |   |        |   |
|--|------------------|--|---|---|--------|---|
| DIMENSIONS:<br><b>mm</b>   | DWN<br>HD 9121   | 21FEB2003  | MATERIAL  | - | FINISH | - |
|  | CHK<br>HD 9121   | 21FEB2003  |  <b>TE Connectivity</b> |   |        |   |
| TOLERANCES UNLESS OTHERWISE SPECIFIED:<br>DIN 7168-m                               | APVD<br>HD 9121  | 21FEB2003  |   |   |        |   |
| 0 PLC ±-   | PRODUCT SPEC     | NAME<br><b>IM-Relay Marking</b>  |   |   |        |   |
| 1 PLC ±-   | -                |  |   |   |        |   |
| 2 PLC ±-   | APPLICATION SPEC | SIZE   CAGE CODE   DRAWING NO   RESTRICTED TO<br><b>A4</b>   <b>00779</b>   <b>C-1462037-1</b>   - |   |   |        |   |
| 3 PLC ±-   | -                |  |   |   |        |   |
| 4 PLC ±-   | WEIGHT           | CUSTOMER DRAWING   SCALE <b>10:1</b>   SHEET <b>6</b> OF <b>6</b>   REV <b>C1</b>                  |   |   |        |   |
| ANGLES ±-  | -                |  |   |   |        |   |
|  |                  |  |   |   |        |   |