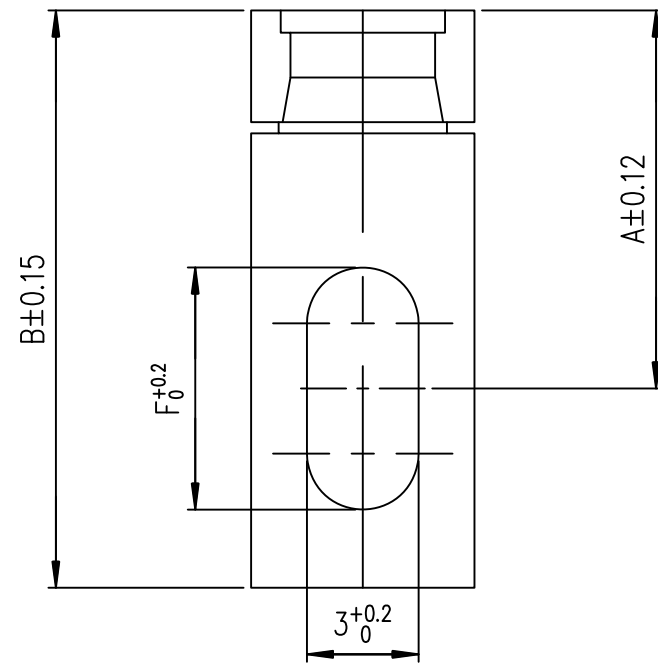
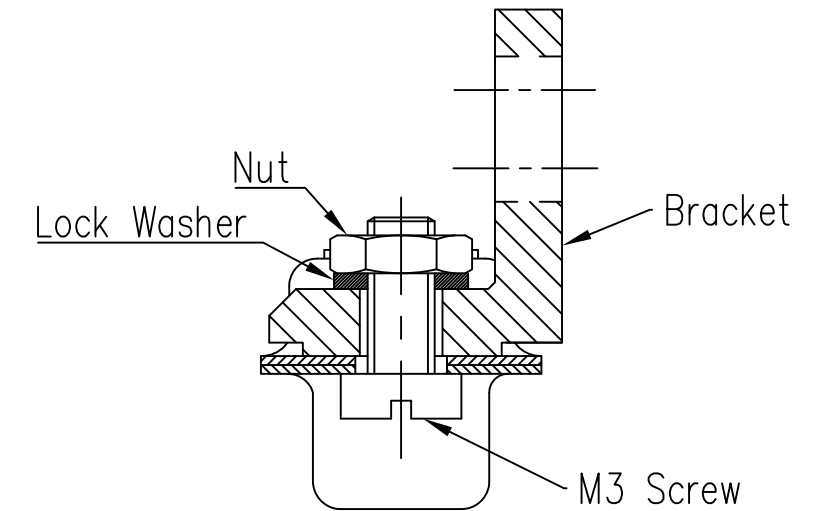
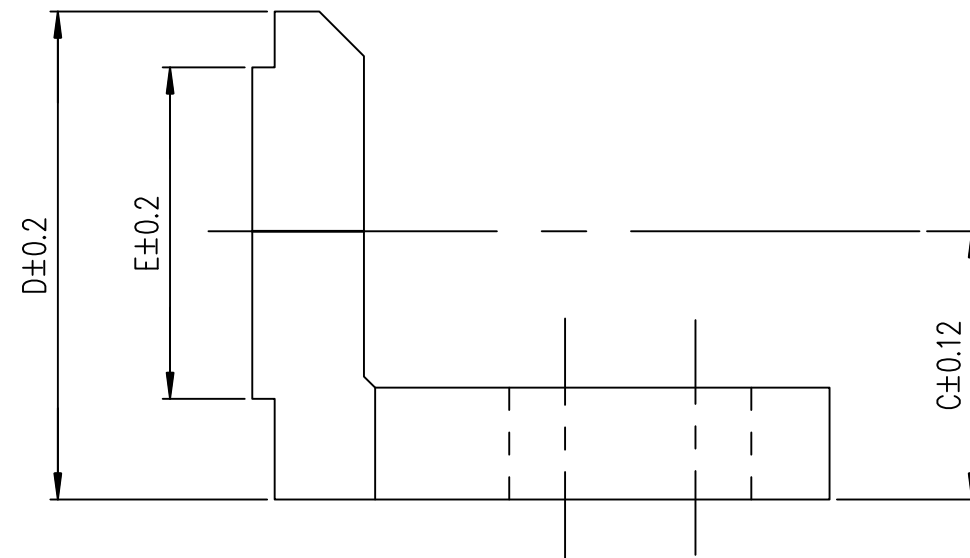
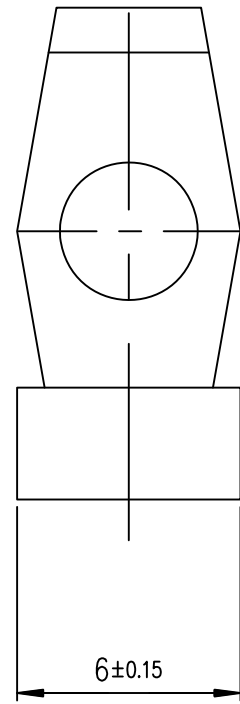


BRACKET MOUNTING

Scale 3:1



86303715LF	11.80	17.60	8.60	15.90	10.90	7.4	per 2 pieces
86303714LF	10.15	15.50	7.20	13.10	8.90	6.5	per 2 pieces
PART NUMBER	A	B	C	D	E	F	PACKAGING

* Kit contains Bracket, Nut, Washer & Screw

NOTE1:RoHS INFORMATIONS

- The "LF" product meets European union Directives and other country regulations as described in GS-47-0004.
- The product is not intended to be exposed to a manufacturing solder process.
- Plating: Zinc Cr3+, white color.
- Packaging spec: see GS-14-920.

mat'l. code				surface ISO 1302 ✓		tolerance ISO 406 ISO 1101		projection MM		product family D-SUB	
ltr	ecn no	dr	date	tolerances unless otherwise specified				title PLASTIC BRACKET WITH ACCESSORIES			
C	ELX-I-19934	MP	2015/01/09	angles	linear	.0±0.1 .00±0.10 .000±0.100		scale 5:1		dwg no C01-8655-1667	
				dr		MITHUN PAUL 2015/01/09		sheet 1 of 1		size A3	
				enr		MITHUN PAUL 2015/01/09		FCI		type Product Customer Drawing	
				chr		ALIAS BABU 2015/01/09					
				app		BIJU K PAUL 2015/01/09					
sheet index	revision	C	1								



Copyright FCI