

4

3

2

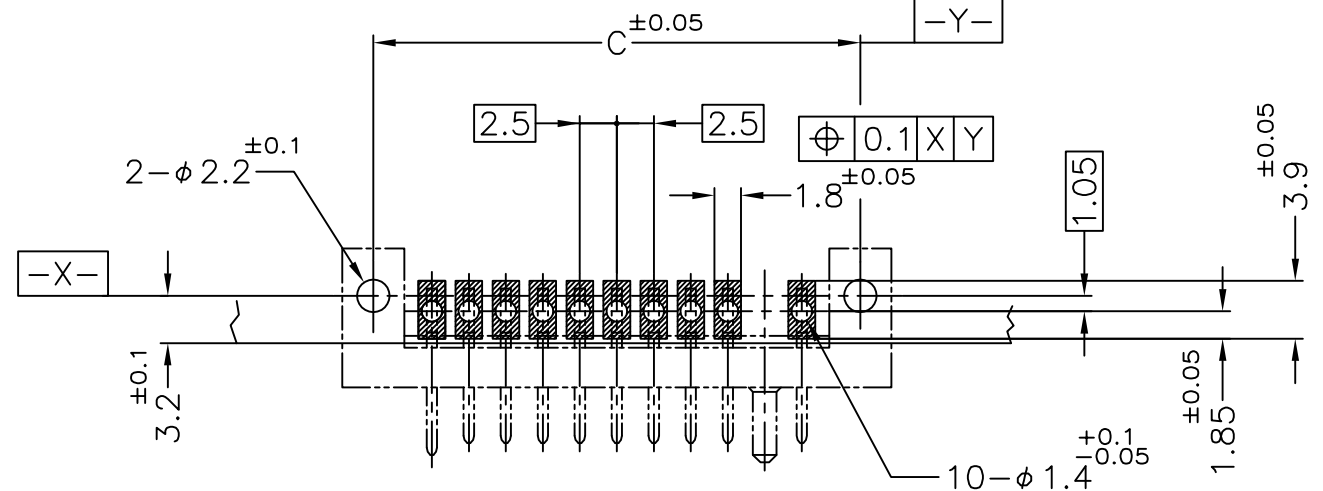
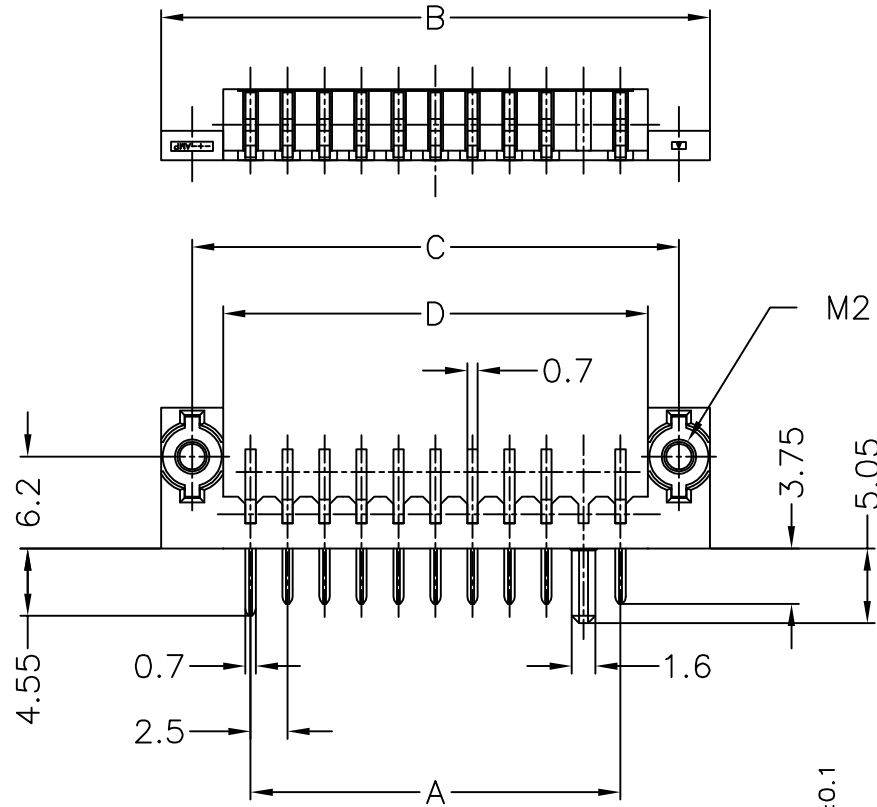
1

THIS DRAWING IS UNPUBLISHED. RELEASED FOR PUBLICATION

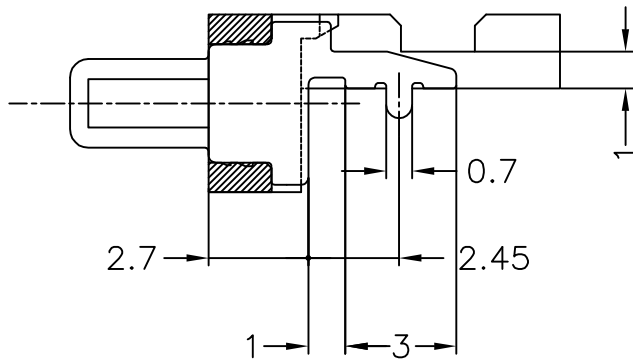
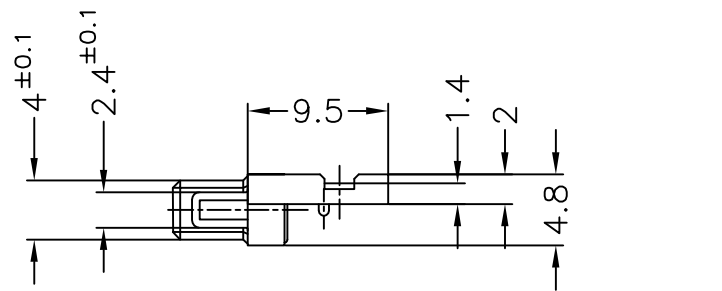
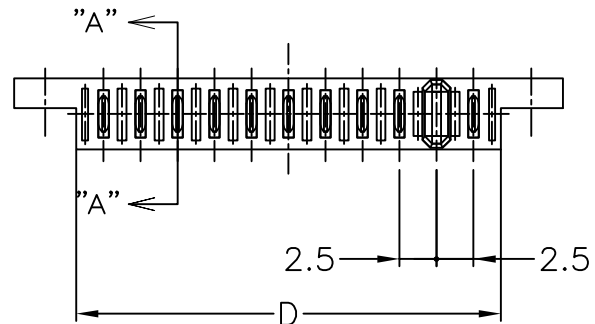
© COPYRIGHT BY TYCO ELECTRONICS CORPORATION. ALL RIGHTS RESERVED.

| LOC | DIST | REVISIONS |     |                           |           |     |      |
|-----|------|-----------|-----|---------------------------|-----------|-----|------|
|     |      | P         | LTR | DESCRIPTION               | DATE      | DWN | APVD |
| ES  | -    | B1        |     | REVISED PER ECR-10-011717 | 30MAY2010 | S.W | S.Y  |

-7 : AS SHOWN



RECOMMENDED P.C. BOARD LAYOUT  
P.C. BOARD THK 0.8~1.2  
(VIEW FROM CONNECTOR MOUNTING SIDE)



SECT. "A"-"A"  
(SCALE:5-1)

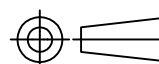
NOTES

- ① MATERIAL HOUSING : THERMOPLASTIC RESIN, UL94V-0  
COLOR ; BLACK  
CONTACT : COPPER ALLOY  
NUT-PLATE : STAINLESS STEEL
- ② FINISH CONTACT : Ni ALL OVER UNDER PL  
GOLD PL. AT CONTACT AREA  
TIN-LEAD PL. AT LEAD AREA

|      |      |      |      |            |           |
|------|------|------|------|------------|-----------|
| 28.7 | 32.9 | 37.1 | 25   | 10         | 1123738-7 |
| 26.2 | 30.4 | 34.6 | 22.5 | 9          | 1123738-6 |
| 23.7 | 27.9 | 32.1 | 20   | 8          | 1123738-5 |
| 21.2 | 25.4 | 29.6 | 17.5 | 7          | 1123738-4 |
| 18.7 | 22.9 | 27.1 | 15   | 6          | 1123738-3 |
| 16.2 | 20.4 | 24.6 | 12.5 | 5          | 1123738-2 |
| 13.7 | 17.9 | 22.1 | 10   | 4          | 1123738-1 |
| D    | C    | B    | A    | N<br>(POS) | P/N       |

THIS DRAWING IS A CONTROLLED DOCUMENT.

DIMENSIONS:  
MM



TOLERANCES UNLESS OTHERWISE SPECIFIED:

- 0-PLG ± 0.15
- 1-PLG ±
- 2-PLG ±
- 3-PLG ±
- 4-PLG ±
- ANGLES ± 3'
- FINISH

MATERIAL



|                  |            |         |
|------------------|------------|---------|
| DWN              | T.KUSUHARA | 19FEB98 |
| CHK              | I.ENOMOTO  | 20FEB98 |
| APVD             | I.ENOMOTO  | 20FEB98 |
| PRODUCT SPEC     | 108-5775   |         |
| APPLICATION SPEC |            |         |
| WEIGHT           |            |         |
| CUSTOMER DRAWING |            |         |

|   |           |   |               |
|---|-----------|---|---------------|
|   |           | Tyco Electronics<br>Shanghai, P.R.China, 200233 |               |
| NAME<br>PLUG ASSEMBLY<br>2.5mm PITCH BATTERY CONNECTOR<br>(10POS. OFF SET TYPE) |           |   |               |
| SIZE  | CAGE CODE | DRAWING NO                                      | RESTRICTED TO |
| A3  | 00779     | C=1123738                                       |               |
| SCALE 2:1   |           | SHEET 1 OF 1                                    | REV B1        |