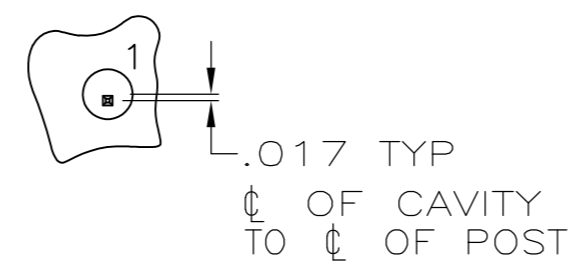
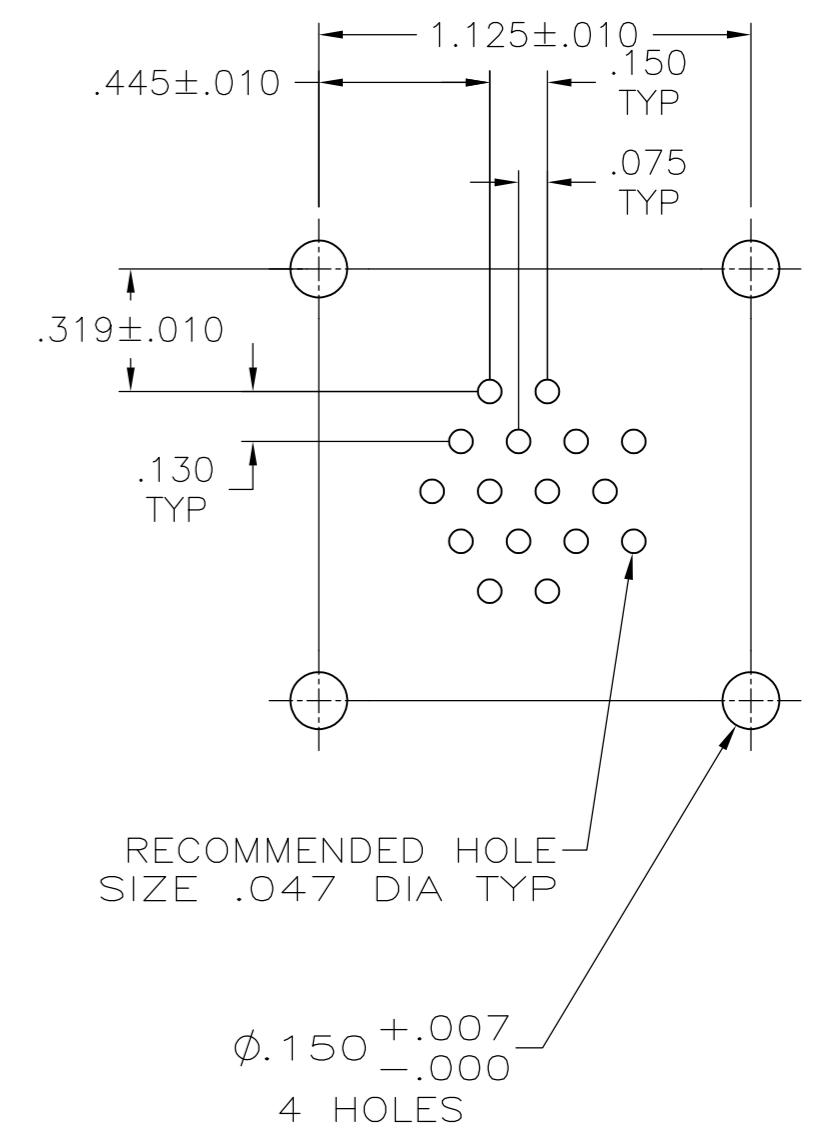
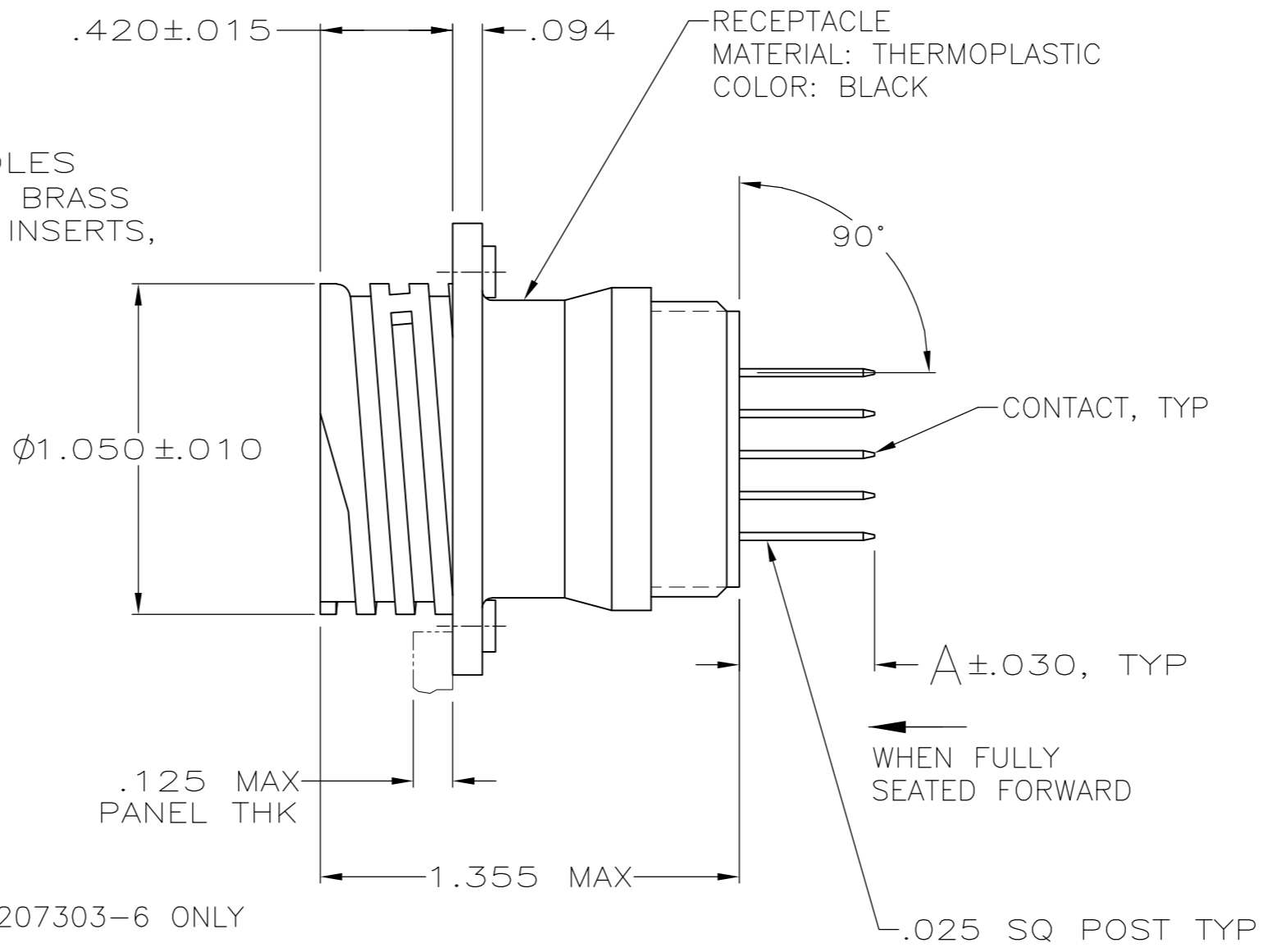
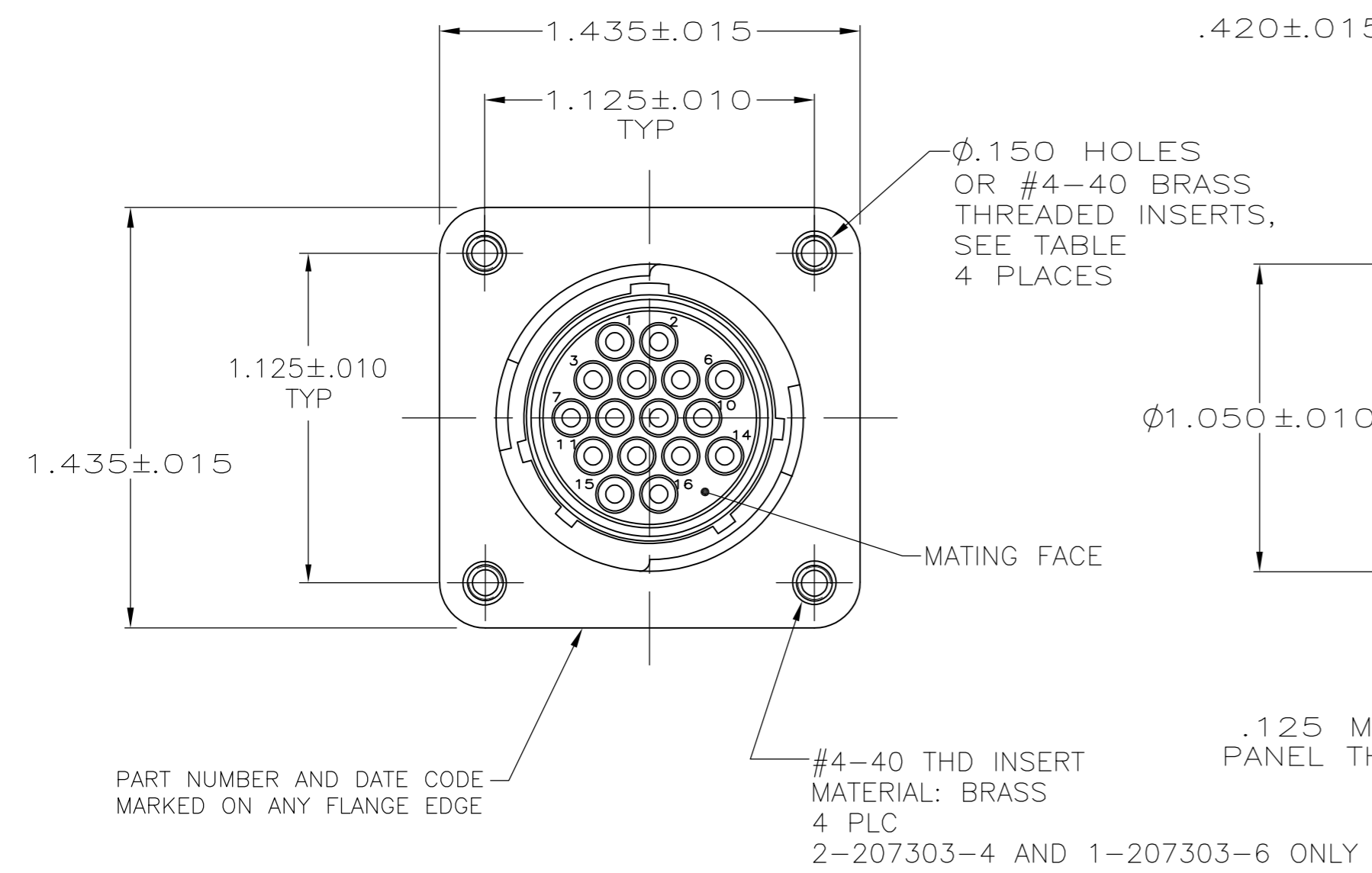


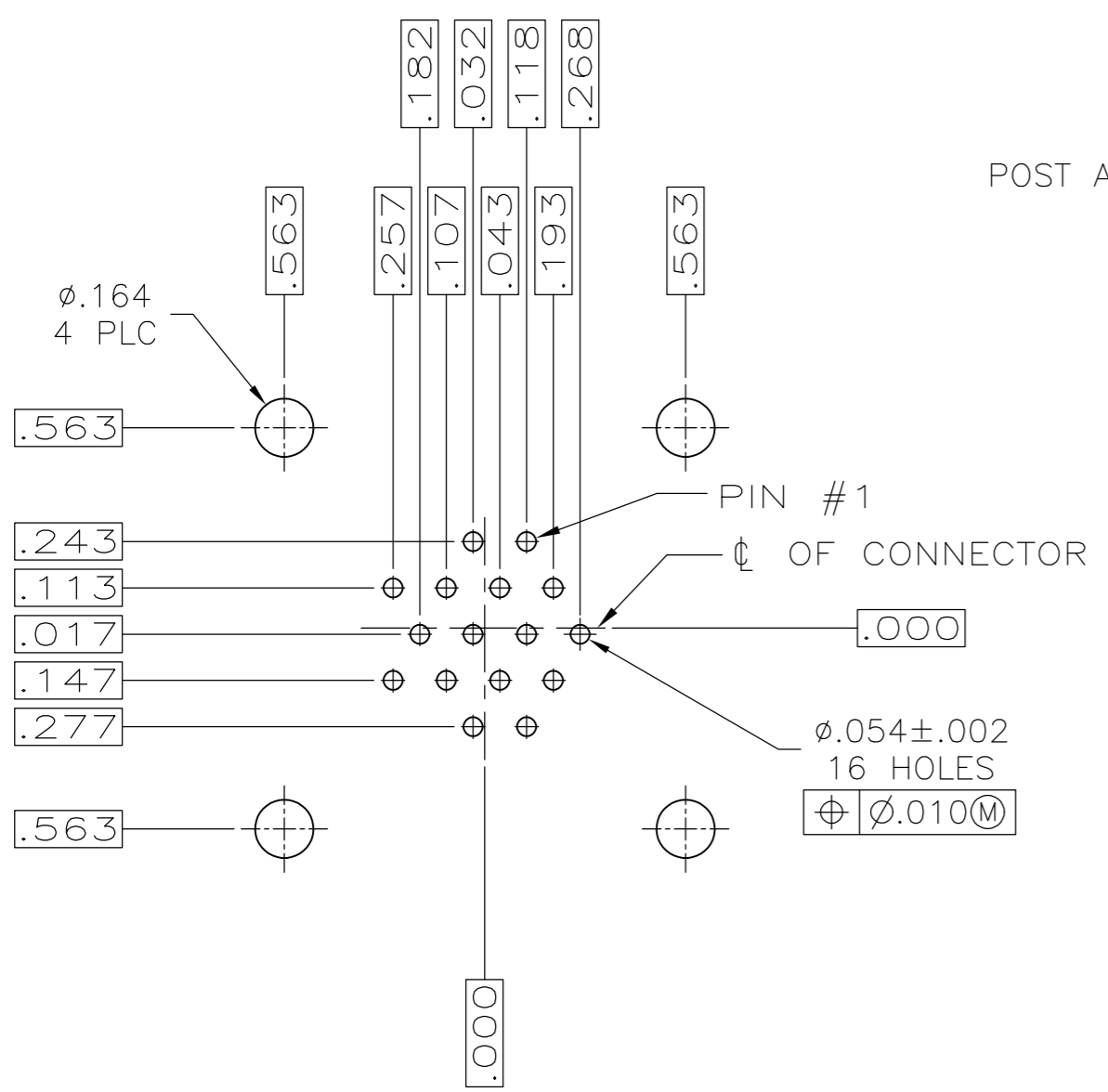
THIS DRAWING IS UNPUBLISHED. RELEASED FOR PUBLICATION
 © COPYRIGHT - By - ALL RIGHTS RESERVED.

REVISIONS					
P	LTR	DESCRIPTION	DATE	DWN	APVD
U2		REVISED PER ECO-13-017833	12FEB2014	NK	MZ
V		REVISED PER ECO-17-004657	06APR2017	BDA	MZ



POST ARRANGEMENT ON REAR FACE

- 1 CONNECTOR WILL ACCEPT POSTED TYPE III+ PIN CONTACTS.
- 2 OBSOLETE PARTS: OBSOLETE CIS STREAMLINING PER D.RENAUD/D.SINISI
- 3 .000030 MIN PRECIOUS METAL PLATE ON MATING END FOR A LENGTH OF .200 MIN OVER .000050 MIN NICKEL PLATE. GOLD FLASH ALL OVER. CONFORMS TO THE REQUIREMENTS OF TE CONNECTIVITY PRODUCT SPEC 108-10042, BASED ON EIA/ECA-364-1000.01A (CONTROLLED ENVIRONMENTAL APPLICATIONS.)



RECOMMENDED P.C. BOARD LAYOUT
 BOTTOM NON-COMPONENT SIDE

OBSOLETE	NO	YES	TIN	3	.130	1-207303-7
	NO	YES	TIN	3	.119	1-207303-6
	NO	NO	TIN	TIN	.220	1-207303-5
	NO	YES	TIN	3	.220	1-207303-4
	NO	NO	TIN	3	.220	1-207303-3
OBSOLETE	YES	NO	TIN-LEAD	3	.220	1-207303-2
	NO	YES	TIN-LEAD	GOLD	.220	1-207303-1
NO	NO	TIN-LEAD	3	.220	207303-3	
NO	NO	TIN-LEAD	TIN	.220	207303-1	
PERIPHERAL SEAL	THREADED INSERTS	CONTACT POST FINISH	CONTACT BODY FINISH	A	PART NUMBER	

2 SUPERSEDED BY 1-207303-4

THIS DRAWING IS A CONTROLLED DOCUMENT.

DWN	R.LEE BG	7-2-91
CHK	W.G.LENKER	4-14-92
APVD	-	-
NAME	TE Connectivity	
PRODUCT SPEC	108-10024	
APPLICATION SPEC	-	
SIZE	CAGE CODE	DRAWING NO
WEIGHT	A2 00779	C=207303
CUSTOMER DRAWING	SCALE	SHEET
	2:1	1 of 1