

THIS DRAWING IS UNPUBLISHED.

RELEASED FOR PUBLICATION

-. - .

© COPYRIGHT - By -

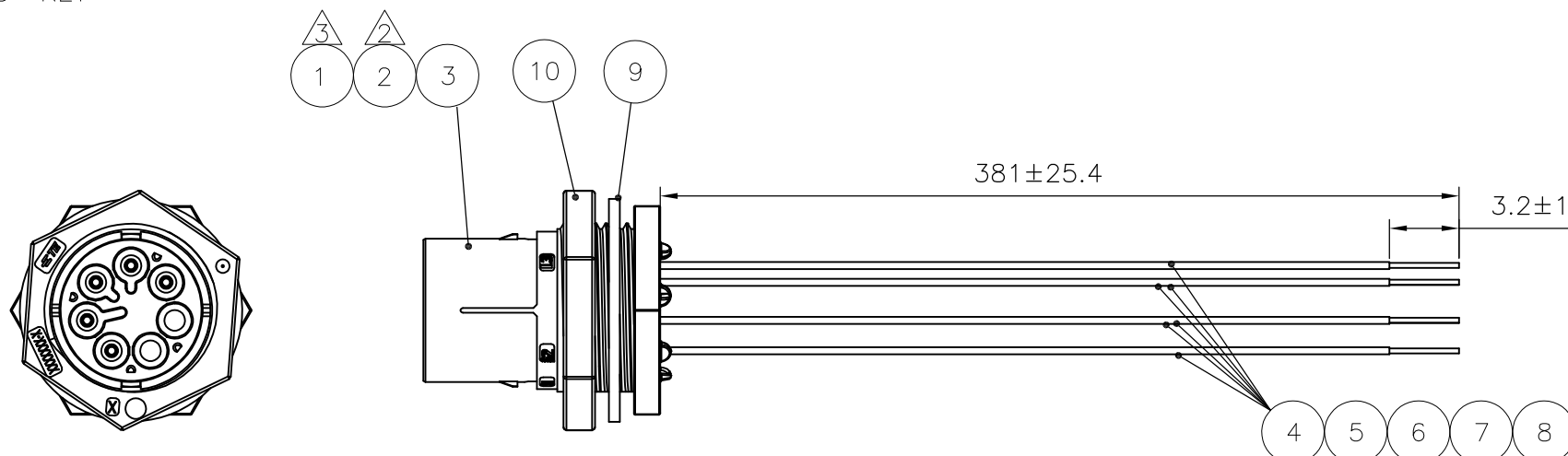
ALL RIGHTS RESERVED.

LOC	DIST	REVISIONS					
GP	00	P	LTR	DESCRIPTION	DATE	DWN	APVD
		A1		ECR-16-002417	17FEB2016	AP	AP

NOTES:

- EACH ITEM AND ASSEMBLY MUST COMPLY WITH EUROPEAN REDUCTION OF HAZARDOUS SUBSTANCES (RoHS) REGULATION. UNDER DIRECTIVE 2011/65/EU AND HARMONIZED STANDARD EN 50581:2012.
- DO NOT SOLDER CONTACT, CRIMP ONLY
- IDENTIFY POSITION PE, LOADING POSITIONER PE TO SOCKET PE
- PE CONTACT CIRCUIT IDENTIFIED BY EXTENDED LENGTH POLARIZED "KEY"
- ELECTRICAL TEST:
100% OPEN SHORT&MISS WIRE TEST
CONTACT RESISTANCE: 2 OHM MAX

TE P/N
2829494-1



WIRE DIAGRAM

P1	COLOR
N	BLUE
L1	BROWN
PE	GREEN/YELLOW
L2 (NO PIN)	
S1	BLACK
S2	GRAY
L3 (NO PIN)	

1	PC	PANEL NUT	10
1	PC	PANEL GASKET, SEALED NECTOR M	9
AR	M	WIRE, ELEC, 18 AWG, HARMONIZED BLUE	8
AR	M	WIRE, ELEC, 18 AWG, HARMONIZED BROWN	7
AR	M	WIRE, ELEC, 18 AWG, HARMONIZED GREEN/YELLOW	6
AR	M	WIRE, ELEC, 18 AWG, HARMONIZED BLACK	5
AR	M	WIRE, ELEC, 18 AWG, HARMONIZED GRAY	4
1	PC	PIN HOUSING, PANEL, 5P, A CODE	3
5	PC	PIN, NECTOR-M, 16-18 AWG	2
1	PC	CONN, NECTOR-M, POSITIONER, 7P	1
-1	UoM	DESCRIPTION	ITEM

THIS DRAWING IS A CONTROLLED DOCUMENT.		DWN T.BURZYŃSKI 15JUN2015	TE Connectivity	
DIMENSIONS: mm		CHK D.E.MCCLURE 15JUN2015		
TOLERANCES UNLESS OTHERWISE SPECIFIED:		APVD A.V.ZANDVOORT 15JUN2015	NAME PIGTAIL 5 POS BULKHEAD PIN STD HARMONIZED CABLE SEALED	
0 PLC ± - 1 PLC ± - 2 PLC ± - 3 PLC ± - 4 PLC ± - ANGLES ± -		PRODUCT SPEC -	RESTRICTED TO -	
MATERIAL -		FINISH -	APPLICATION SPEC -	SIZE A3
		WEIGHT 0	CAGE CODE 00779	DRAWING NO C-2829494
CUSTOMER DRAWING			SCALE NTS	SHEET 1 OF 1
			REV A1	