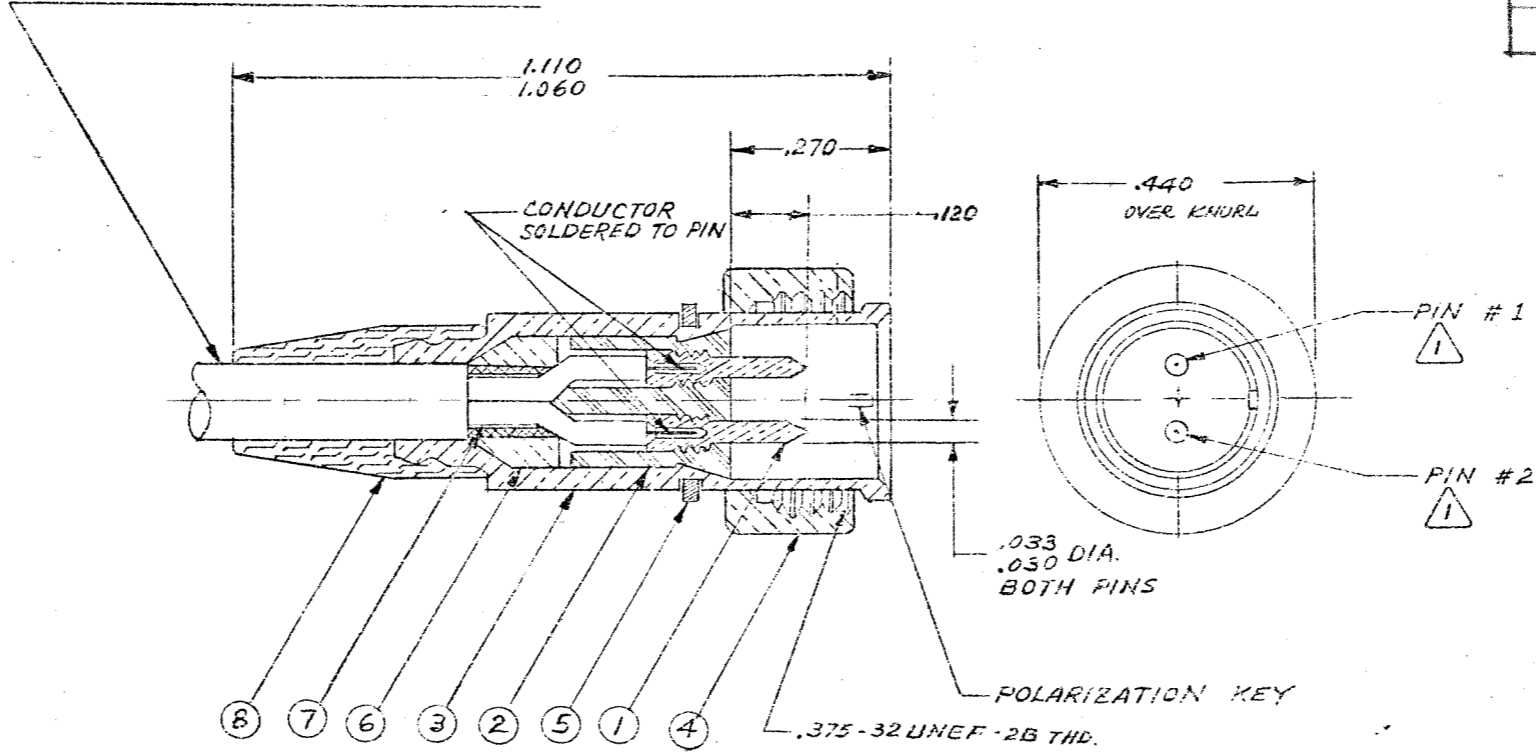


CABLE ACCEPTANCE DIMS  
 MALCO CABLE 202-3932-0000  
 JACKET : .167 MAX. DIA.  
 SHIELD : .142 MAX. DIA.  
 DIELECTRIC : .061 MAX. DIA.  
 INNER COND. : .014 MAX. DIA.

| REVISIONS |     |        |                                                             |         |          |
|-----------|-----|--------|-------------------------------------------------------------|---------|----------|
| ZONE      | LTR | ECN    | DESCRIPTION                                                 | DATE    | APPROVED |
|           | J   | 24811  | REV. & REDRAWN, ORIGINAL RELEASED BY BEALE & T.K. @ 2-29-80 | 3-5 80  | hs       |
|           | K   | 26114  | UPDATE REV. LETTER @ 10-8-81                                | 10/9/81 | hs       |
|           | L   | 316337 | ITEM B, WAS 003-0064-0000                                   | 2/21/97 | es       |
|           | M   | 38487  | UPDATE REV. LETTER                                          | 1/19/99 | es       |



Tyco Dwg 7-1532004-5  
 Micro P/N 052-0324-0001

NOTES: UNLESS OTHERWISE SPECIFIED

- ① PIN #1 IS NORMALLY TERMINATED TO WHITE OR CLEAR DIELECTRIC. PIN #2 IS NORMALLY TERMINATED TO COLOR DIELECTRIC.
- ② GOLD PLATE PER MIL-G-45204 TYPE II, GRADE C, CL. 1.
- ③ SILVER PLATE .0002 MIN. PER QQ-S-365 TYPE II, GRADE A.
- 4. FOR ASSEMBLY. PREASSEMBLE HOUSING, NUT, RETAINING RING INTO HOUSING SUBASSY. THEN FOLLOW INSTRUCTION RF-ASMB-61.
- 5. MALCO ASS'Y TOOL NO. 010-0172-0000 REQUIRED
- 6. THIS CONNECTOR MATES WITH ALL TWINAX SCREW ON TYPE JACKS & RECEPTACLES AS LISTED IN MALCO CATALOG

| QTY REQD | FINISH | PART OR IDENTIFYING NO. | NOMENCLATURE OR DESCRIPTION | MAT'L & SPEC                  | ITEM |
|----------|--------|-------------------------|-----------------------------|-------------------------------|------|
| 1        |        | 000-3601-0401           | LARGE SHRINK SLEEVE         | POLYOLEFIN - CLEAR            | N/S  |
| 1        |        | 003-0272-0000           | B.R. CAP - BLACK            | SILICONE RUBBER ZZ-R-765      | ⑧    |
| 1        |        | 000-3601-0254           | SMALL SHRINK SLEEVE         | POLYOLEFIN - BLACK            | ⑦    |
| 1        | ③      | 003-0515-0001           | JERK RING                   | BRASS PER QQ-B-626            | ⑥    |
| 1        | ③      | 005-3184-0001           | RETAINING RING              | BERYLLIUM COPPER PER QQ-C-530 | ⑤    |
| 1        | ③      | 003-0577-0001           | NUT-DIAMOND KNURL           | BRASS PER QQ-B-626            | ④    |
| 1        | ③      | 000-1601-0312           | HOUSING                     | BRASS PER QQ-B-626            | ③    |
| 1        |        | 003-0514-0001           | INSULATOR                   | TEFLON PER L-P-401            | ②    |
| 2        | ②      | 003-0587-0002           | PIN                         | BRASS PER QQ-B-626            | ①    |

| PARTS LIST                                                          |                      | APPROVALS            |  | DATE          |  |
|---------------------------------------------------------------------|----------------------|----------------------|--|---------------|--|
| UNLESS OTHERWISE SPECIFIED DIMENSIONS ARE IN INCHES TOLERANCES ARE: | CONTRACT NO.         | DRAWN EUNICE         |  | 1/12/79       |  |
| FRACTIONS DECIMALS ANGLES                                           |                      | CHECKED [Signature]  |  | 3-4-80        |  |
| ± .XX ± .XXX ± .010                                                 |                      | PR. ENG. [Signature] |  | 3-4-80        |  |
|                                                                     |                      | APPD.                |  |               |  |
| MATERIAL                                                            |                      | DRAWING NO.          |  | 052-0324-0001 |  |
| FINISH                                                              |                      | SIZE                 |  | B             |  |
| NOTED                                                               |                      | CODE IDENT NO.       |  | 98278         |  |
|                                                                     |                      | DRAWING NO.          |  | 052-0324-0001 |  |
| NEXT ASSY                                                           | USED ON              | SCALE                |  | SHEET / OF 1  |  |
| APPLICATION                                                         | DO NOT SCALE DRAWING |                      |  |               |  |

MALCO  
 A MICRODOT COMPANY, INC.  
 308 PASADENA AVE., SO. PASADENA, CALIF 91030

PLUG, TWINAX

PROD. CODE  
 934  
 CODE  
 CDM

These drawings and specifications are the property of Microdot Inc. and shall not be drawn, copied, reproduced or used in any way without the written permission of Microdot Inc.