

2-way power splitter 5504.17.0009

Reactive Splitter

Description

2-Way Reactive Power Splitter (Splitter Loss 3dB) for LTE 2.3 GHz, LTE 2.6 GHz, WIFI 2.4 GHz, LTE 3.5 GHz, Public Security 4.9 GHz and WiFi 5GHz.
Waterproof (IP67) also in unmated condition.
Tested according to EN 50155.



Technical Data

Electrical Data

	Signal Band 1	
Frequency	2 - 6 GHz	
Return Loss input port	20 dB	
Insertion Loss	3.2 dB	
Isol. between Output ports	6 dB	
Ampl. tra. betw. outp. ports	0.2 dB	
Max. Composite Power	300 W	
Input 1		
Connector Type	N	
Connector Gender	jack (female)	
Output 1 Output 2		
Connector Type	N	N
Connector Gender	jack (female)	jack (female)

Char. impedance

50 Ω

Mechanical Data

Dimensions 103.7 x 67 x 20 mm (Height x Width x Length)
Weight 0.345 kg

Environmental Data

Environmental conditions outdoor
Operation temperature -40 °C to 85 °C
IP rating IP67
2011/65/EU (RoHS - including 2015/863 and 2017/2102) compliant
Lead-free soldered not soldered
WEEE 2002/96/EC no special marking needed

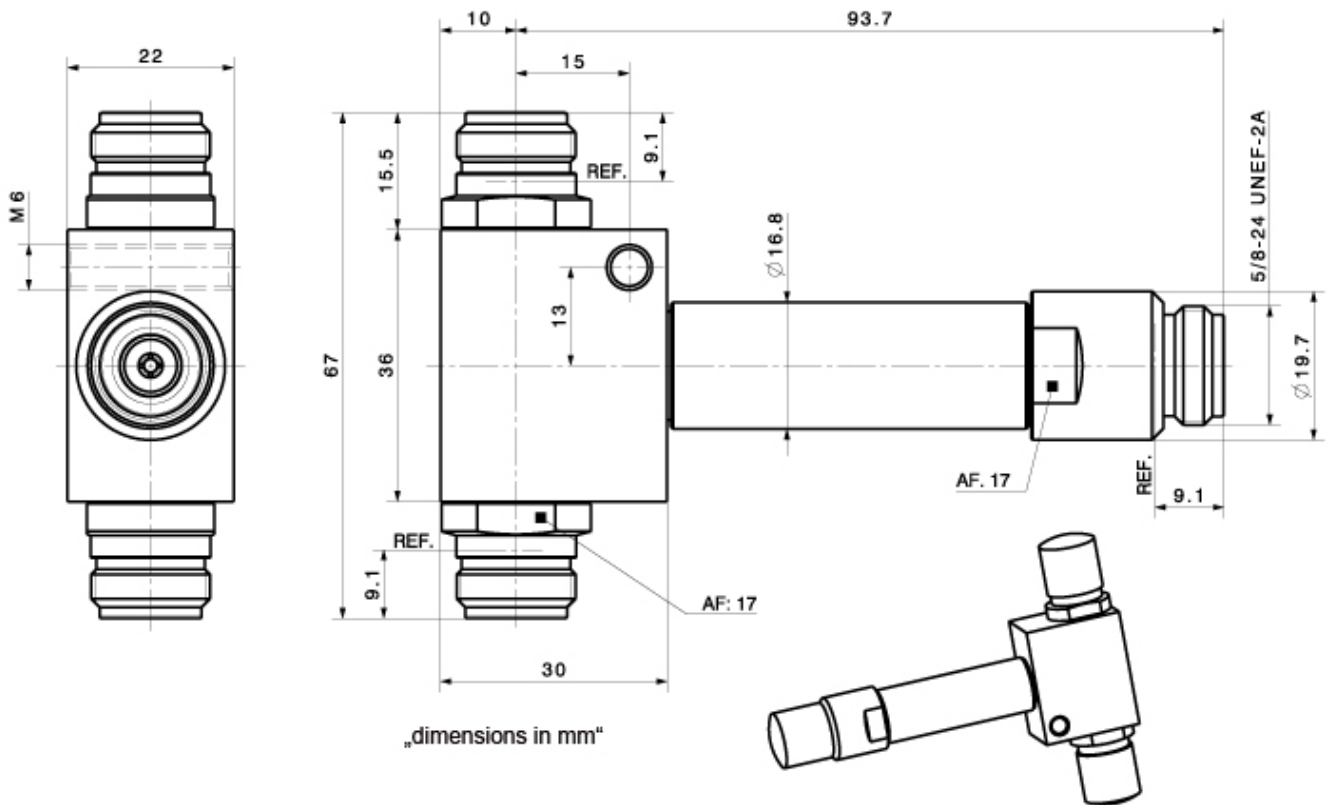
Material Data

Piece Parts	Material	Surface Plating
Body	Brass	SUCOPLATE (R) Plating
Center contact (Interface)	Copper Beryllium Alloy	Gold Plating
Center contact (Body)	Brass	Silver Plating
Insulator	PTFE (Polytetrafluoroethylene)	

Related Documents

Outline drawing DOU-00319817

2-way power splitter 5504.17.0009



Mouser Electronics

Authorized Distributor

Click to View Pricing, Inventory, Delivery & Lifecycle Information:

[HUBER+SUHNER:](#)

[5504.17.0009](#)