

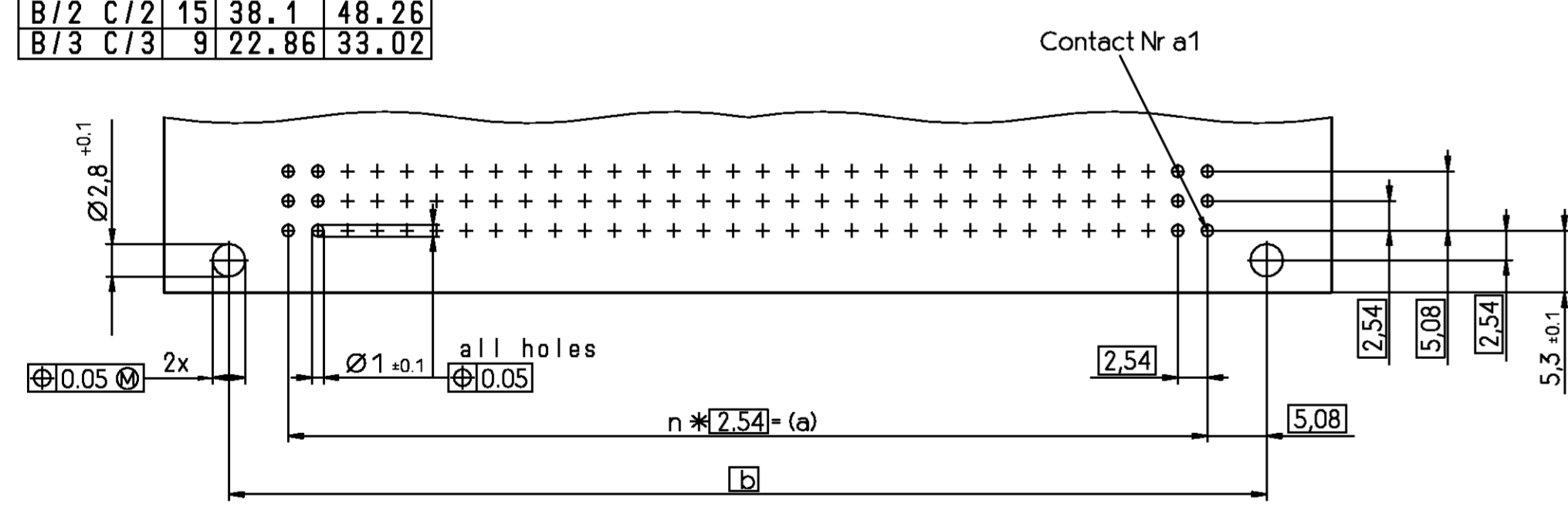
Housing material: PBTP 30% glassfilled (UL94V-0) pebble grey (similar RAL 7032)

Housing material: PBTP 30% glassfilled (UL94V-0) pebble grey (similar RAL 7032)

Housing material: PBTP 30% glassfilled (UL94V-0) pebble grey (similar RAL 7032)

| Bauform | n | a | b |
|---------|-----|----|-------|
| B | C | 31 | 78.74 |
| B/2 | C/2 | 15 | 38.1 |
| B/3 | C/3 | 9 | 22.86 |

Mounting holes in PCB



V 4 2 2 5 4 - * 1 * * * - + * * *

B : Standard version
F : Version with flux tight coating

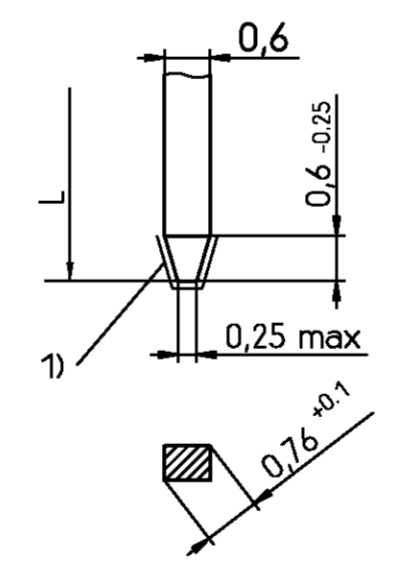
code for performance level
code for termination style

Style, no of contacts and contact assignment see page 2

THIS INFORMATION IS CONFIDENTIAL AND PROPRIETARY TO TYCO ELECTRONICS CORPORATION AND ITS WORLDWIDE SUBSIDIARIES AND AFFILIATES. IT MAY NOT BE DISCLOSED TO ANYONE, OTHER THAN TYCO ELECTRONICS CORPORATION, WITHOUT WRITTEN AUTHORIZATION FROM TYCO ELECTRONICS CORPORATION, HARRISBURG, PENNSYLVANIA USA.

Termination Style

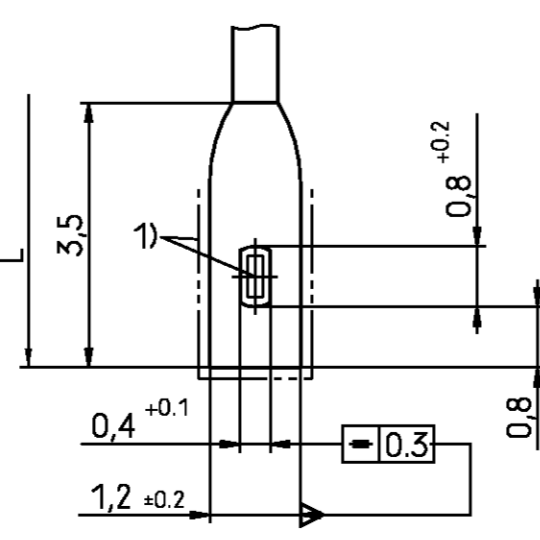
Soldering/Wire-Wrap pins



| | L | Code |
|----------------|--------------------|------|
| | 3 -0.4 | 00 |
| | 2.9±0.3 | 01 |
| | 4.5±0.3 | 02 |
| | 13 +0.5 | 40 |
| | 11 +0.5 | 41 |
| | 17 +0.5 | 42 |
| Soldering lugs | 5.5±0.3 10 -0.5 | 35 |

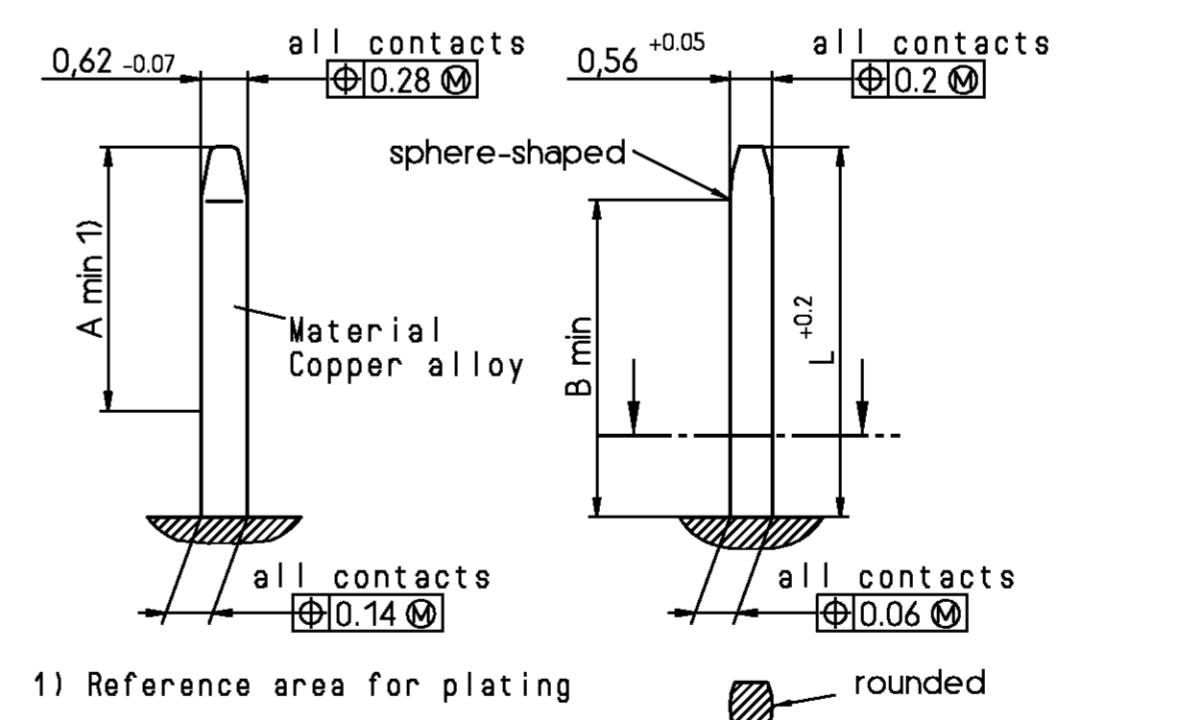
1) Cutting, edges not plated
Terminations with galvanic Sn plating

Soldering lug



V42254-B1***-C***

Contact: Dimensions, plating, material, pre-mating



1) Reference area for plating

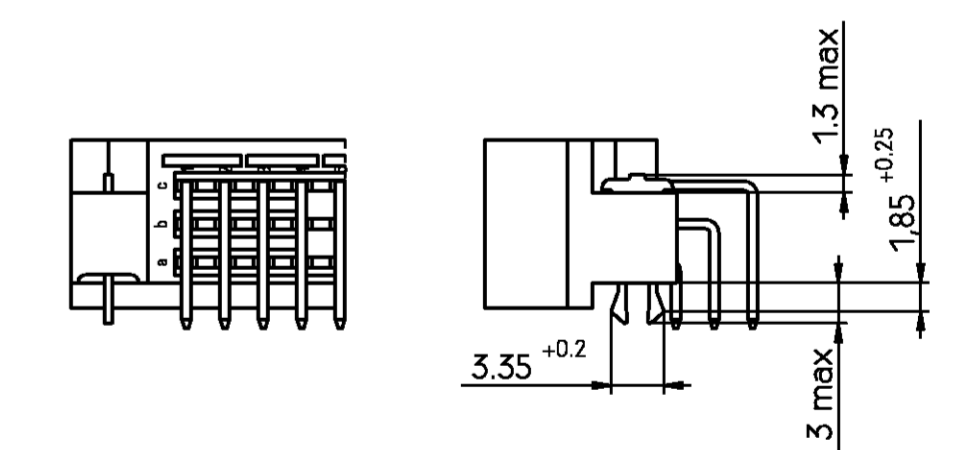
| | L | A | B |
|---------------------|-----|-----|-----|
| normal contacts | 4.8 | 3.5 | 4.2 |
| pre-mating contacts | 5.8 | 4.5 | 5.2 |

| Performance level acc to DIN41612 and IEC603-2 | Noble metals | Code |
|--|-----------------|------|
| Class I | PdNi + Au or Au | 1 |
| | Au | 4 |
| Class II | PdNi + Au or Au | 2 |
| | Au | 5 |
| Class III | PdNi + Au or Au | 3 |

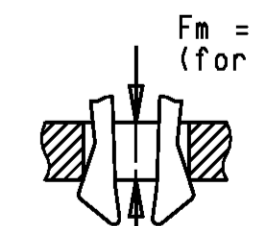
Nickel underlayer
Protection film: HF-grease

V42254-B1***-C***

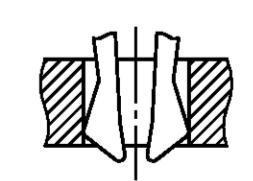
Male connector with board locks



Mounted in PC-boards of 1.5 to 1.8 mm
F_m < 60 N
F_r > 20 N
F_r > 200 N, wenn soldered-in



Mounted in PC-boards over 1.8 mm
F_m < 60 N
F_r > 16 N



STE TE Connectivity

SCALE: DIMENSIONS IN MM

WEIGHT

MATERIAL

DATE: 10.02.89
NAME: Cuvelier
DEP: PD COM

PART NAME: Pin Assembly Eurocard
Types B, C and short versions

PART NO: V42254-B1***-C***-7626
SHT. 1+
REV. ECO-17-002173 10MAR2017 SY
CHANGE ORDER DATE APP

TOLERANCE UNLESS SPECIFIED OTHERWISE

Customer Drawing Nr. C 1592009-B

OF 2

| Product description code | Part Number | Style & Number of Positions | Termination Posts | Loaded Rows | Standard Pre-Mating (mm J) | Performance Level | Board Locks |
|---------------------------|--------------------|-----------------------------|-------------------|------------------------------|------------------------------|-------------------|-------------|
| SUPERSEDED BY 5-1393644-6 | V42254-B1100-B200 | 1393644-1 | B20 | right-angle solder leads | every row , every pitch | No | 1 No |
| | V42254-B1100-B230 | 1393644-2 | B20 | right-angle solder leads | every row , every pitch | Yes | 1 No |
| SUPERSEDED BY 5-1393644-9 | V42254-B1100-B320 | 1393644-3 | B32 | right-angle solder leads | every row , every pitch | No | 1 No |
| SUPERSEDED BY 6-1393644-3 | V42254-B1100-B640 | 1393644-4 | B64 | right-angle solder leads | every row , every pitch | No | 1 No |
| | V42254-B1100-B641 | 1393644-5 | B64 | right-angle solder leads | row a , every pitch | No | 1 No |
| OBSOLETE | V42254-B1100-B645 | 1393644-6 | B64 | right-angle solder leads | every row , every even pitch | No | 1 No |
| | V42254-B1100-C480 | 1393644-9 | C48 | right-angle solder leads | every row , every pitch | No | 1 No |
| OBSOLETE | V42254-B1100-C483 | 1-1393644-0 | C48 | right-angle solder leads | every row , every pitch | No | 1 No |
| | V42254-B1100-C910 | 1-1393644-2 | C96 | right-angle solder leads | row atc , every pitch | No | 1 Yes |
| | V42254-B1100-C960 | 1-1393644-6 | C96 | right-angle solder leads | every row , every pitch | No | 1 No |
| | V42254-B1100-C963 | 1-1393644-7 | C96 | right-angle solder leads | every row , every pitch | No | 1 No |
| | V42254-B1100-C965 | 1-1393644-8 | C96 | right-angle solder leads | row atc , every pitch | No | 1 No |
| | V42254-B1100-C968 | 1-1393644-9 | C96 | right-angle solder leads | every row , every even pitch | No | 1 No |
| | V42254-B1100-C968H | 2-1393644-0 | C96 | right-angle solder leads | row atc , every even pitch | No | 1 No |
| OBSOLETE | V42254-B1101-B230 | 3-1393644-2 | B20 | 2,9mm straight solder leads | every row , every pitch | Yes | 1 No |
| | V42254-B1102-B320 | 3-1393644-3 | B32 | 4,5mm straight solder leads | every row , every pitch | No | 1 No |
| | V42254-B1102-B640 | 3-1393644-4 | B64 | 4,5mm straight solder leads | every row , every pitch | No | 1 No |
| | V42254-B1102-C960 | 3-1393644-5 | C96 | 4,5mm straight solder leads | every row , every pitch | No | 1 No |
| | V42254-B1102-C963 | 3-1393644-6 | C96 | 4,5mm straight solder leads | row atc , every pitch | No | 1 No |
| | V42254-B1135-B640 | 4-1393644-0 | B64 | solder lugs | every row , every pitch | No | 1 No |
| OBSOLETE | V42254-B1200-B200 | 5-1393644-6 | B20 | right-angle solder leads | every row , every pitch | No | 2 No |
| | V42254-B1200-B310 | 5-1393644-8 | B32 | right-angle solder leads | every row , every pitch | No | 2 Yes |
| | V42254-B1200-B320 | 5-1393644-9 | B32 | right-angle solder leads | every row , every pitch | No | 2 No |
| OBSOLETE | V42254-B1200-B321 | 6-1393644-0 | B32 | right-angle solder leads | row a , every pitch | No | 2 No |
| | V42254-B1200-B610 | 6-1393644-3 | B64 | right-angle solder leads | every row , every pitch | No | 2 Yes |
| OBSOLETE | V42254-B1200-B611 | 6-1393644-4 | B64 | right-angle solder leads | row a , every pitch | No | 2 Yes |
| | V42254-B1200-B630 | 6-1393644-5 | B64 | right-angle solder leads | every row , every pitch | Yes | 2 No |
| | V42254-B1200-B640 | 6-1393644-6 | B64 | right-angle solder leads | every row , every pitch | No | 2 No |
| | V42254-B1200-B641 | 6-1393644-7 | B64 | right-angle solder leads | row a , every pitch | No | 2 No |
| OBSOLETE | V42254-B1200-B645 | 6-1393644-8 | B64 | right-angle solder leads | every row , every even pitch | No | 2 No |
| | V42254-B1200-C300 | 6-1393644-9 | C30 | right-angle solder leads | every row , every pitch | No | 2 No |
| SUPERSEDED BY 6-1393644-9 | V42254-B1200-C303 | 7-1393644-0 | C30 | right-angle solder leads | row atc , every pitch | No | 2 No |
| | V42254-B1200-C310 | 7-1393644-1 | C30 | right-angle solder leads | every row , every pitch | No | 2 Yes |
| SUPERSEDED BY 7-1393644-1 | V42254-B1200-C313 | 7-1393644-2 | C30 | right-angle solder leads | row atc , every pitch | No | 2 Yes |
| | V42254-B1200-C410 | 7-1393644-4 | C48 | right-angle solder leads | every row , every pitch | No | 2 Yes |
| SUPERSEDED BY 5650978-5 | V42254-B1200-C413 | 7-1393644-5 | C48 | right-angle solder leads | row atc , every pitch | No | 2 Yes |
| | V42254-B1200-C430 | 7-1393644-6 | C48 | right-angle solder leads | every row , every pitch | Yes | 2 No |
| OBSOLETE | V42254-B1200-C433 | 7-1393644-7 | C48 | right-angle solder leads | row atc , every pitch | No | 2 No |
| | V42254-B1200-C453 | 7-1393644-9 | C48 | right-angle solder leads | row atc , every pitch | Yes | 2 Yes |
| | V42254-B1200-C480 | 8-1393644-0 | C48 | right-angle solder leads | every row , every pitch | No | 2 No |
| | V42254-B1200-C483 | 8-1393644-1 | C48 | right-angle solder leads | row atc , every pitch | No | 2 No |
| OBSOLETE | V42254-B1200-C485 | 8-1393644-2 | C48 | right-angle solder leads | every row , every even pitch | No | 2 No |
| | V42254-B1200-C910 | 8-1393644-3 | C96 | right-angle solder leads | every row , every pitch | No | 2 Yes |
| OBSOLETE | V42254-B1200-C912 | 8-1393644-4 | C96 | right-angle solder leads | row atb , every pitch | No | 2 Yes |
| | V42254-B1200-C913 | 8-1393644-5 | C96 | right-angle solder leads | row atc , every pitch | No | 2 Yes |
| | V42254-B1200-C918 | 8-1393644-6 | C96 | right-angle solder leads | row atc , every even pitch | No | 2 Yes |
| | V42254-B1200-C930 | 8-1393644-7 | C96 | right-angle solder leads | every row , every pitch | Yes | 2 No |
| | V42254-B1200-C933 | 8-1393644-8 | C96 | right-angle solder leads | row atc , every pitch | Yes | 2 No |
| OBSOLETE | V42254-B1200-C938 | 8-1393644-9 | C96 | right-angle solder leads | row atc , every even pitch | Yes | 2 No |
| | V42254-B1200-C953 | 9-1393644-0 | C96 | right-angle solder leads | row atc , every pitch | Yes | 2 Yes |
| | V42254-B1200-C960 | 9-1393644-1 | C96 | right-angle solder leads | every row , every pitch | No | 2 No |
| OBSOLETE | V42254-B1200-C960B | 9-1393644-2 | C96 | right-angle solder leads | every row , every pitch | No | 2 No |
| | V42254-B1200-C961 | 9-1393644-3 | C96 | right-angle solder leads | row a , every pitch | No | 2 No |
| | V42254-B1200-C963 | 9-1393644-4 | C96 | right-angle solder leads | row atc , every pitch | No | 2 No |
| OBSOLETE | V42254-B1200-C963B | 9-1393644-5 | C96 | right-angle solder leads | row atc , every pitch | No | 2 No |
| | V42254-B1200-C965 | 9-1393644-6 | C96 | right-angle solder leads | every row , every even pitch | No | 2 No |
| | V42254-B1200-C968 | 9-1393644-7 | C96 | right-angle solder leads | row atc , every even pitch | No | 2 No |
| OBSOLETE | V42254-B1201-B320 | 2-1393645-5 | B32 | 2,9mm straight solder leads | every row , every pitch | No | 2 No |
| | V42254-B1201-B640 | 1392009-8 | B64 | 2,9mm straight solder leads | every row , every pitch | No | 2 No |
| | V42254-B1201-C300 | 2-1393645-6 | C30 | 2,9mm straight solder leads | every row , every pitch | No | 2 No |
| | V42254-B1201-C480 | 2-1393645-7 | C48 | 2,9mm straight solder leads | every row , every pitch | No | 2 No |
| | V42254-B1201-C960 | 2-1393502-6 | C96 | 2,9mm straight solder leads | every row , every pitch | No | 2 No |
| | V42254-B1201-C963 | 2-1393502-7 | C96 | 2,9mm straight solder leads | row atc , every pitch | No | 2 No |
| | V42254-B1202-B200 | 2-1393645-9 | B20 | 4,5mm straight solder leads | every row , every pitch | No | 2 No |
| | V42254-B1202-B320 | 3-1393645-0 | B32 | 4,5mm straight solder leads | every row , every pitch | No | 2 No |
| | V42254-B1202-B640 | 3-1393645-1 | B64 | 4,5mm straight solder leads | every row , every pitch | No | 2 No |
| | V42254-B1202-C300 | 1392009-9 | C30 | 4,5mm straight solder leads | every row , every pitch | No | 2 No |
| | V42254-B1202-C480 | 3-1393645-4 | C48 | 4,5mm straight solder leads | every row , every pitch | No | 2 No |
| | V42254-B1202-C483 | 3-1393645-5 | C48 | 4,5mm straight solder leads | row atc , every pitch | No | 2 No |
| | V42254-B1202-C960 | 3-1393645-6 | C96 | 4,5mm straight solder leads | every row , every pitch | No | 2 No |
| | V42254-B1202-C963 | 3-1393645-7 | C96 | 4,5mm straight solder leads | row atc , every pitch | No | 2 No |
| | V42254-B1202-C968 | 3-1393645-8 | C96 | 4,5mm straight solder leads | row atc , every even pitch | No | 2 No |
| OBSOLETE | V42254-B1235-C480 | 4-1393645-5 | C48 | solder lugs | every row , every pitch | No | 2 No |
| | V42254-B1235-C960 | 4-1393645-7 | C96 | solder lugs | every row , every pitch | No | 2 No |
| | V42254-B1235-C963 | 4-1393645-8 | C96 | solder lugs | row atc , every pitch | No | 2 No |
| | V42254-B1240-B320 | 5-1393645-1 | B32 | 13mm straight wire-wrap pins | every row , every pitch | No | 2 No |
| | V42254-B1240-B640 | 5-1393645-2 | B64 | 13mm straight wire-wrap pins | every row , every pitch | No | 2 No |
| | V42254-B1240-C300 | 5-1393645-3 | C30 | 13mm straight wire-wrap pins | every row , every pitch | No | 2 No |
| | V42254-B1240-C480 | 5-1393645-4 | C48 | 13mm straight wire-wrap pins | every row , every pitch | No | 2 No |
| | V42254-B1240-C960 | 5-1393645-5 | C96 | 13mm straight wire-wrap pins | every row , every pitch | No | 2 No |
| | V42254-B1240-C963 | 5-1393645-7 | C96 | 13mm straight wire-wrap pins | row atc , every pitch | No | 2 No |
| | V42254-B1240-C963B | 5-1393645-8 | C96 | 13mm straight wire-wrap pins | row atc , every pitch | No | 2 No |
| SUPERSEDED BY 6-1393644-6 | V42254-B1300-B640 | 4-1393646-5 | B64 | right-angle solder leads | every row , every pitch | No | 3 No |
| SUPERSEDED BY 9-1393644-1 | V42254-B1300-C960 | 4-1393646-6 | C96 | right-angle solder leads | every row , every pitch | No | 3 No |
| SUPERSEDED BY 9-1393644-4 | V42254-B1300-C963 | 4-1393646-7 | C96 | right-angle solder leads | row atc , every pitch | No | 3 No |
| | V42254-F1200-C480 | 1-1393647-2 | C48 | right-angle solder leads | every row , every pitch | No | 2 No |
| | V42254-F1200-C960 | 1-1393647-3 | C96 | right-angle solder leads | every row , every pitch | No | 2 No |
| | V42254-F1200-C963 | 1-1393647-4 | C96 | right-angle solder leads | row atc , every pitch | No | 2 No |

4) According BT 236 level 2.
3) According BT 222 level 1.
2) Connectors have a flux-tight coating.
1) First and last contact of each loaded row is a pre-mating (make first / break last) contact.

Active part numbers.
Contact TE for other configuration availability

| | | | |
|--|--|---------------------------------|----------------------------------|
| STE TE Connectivity | | SCALE | WEIGHT |
| MATERIAL | | DIMENSIONS IN MM | |
| B6 ECR-10-004503 13SEP11 MKO DATE 10.02.89 | B5 ECR-10-002555 01JUN10 MKO NAME Cavetier | PART NAME | |
| B4 SR10-0177-03 18 JUN 03 KV | B3 SR10-0415-02 16 Sep 02 BC | Pin Assembly Eurocard | |
| B2 SR10-0157-02 13 Mar 02 BC | B1 SR10-0130-02 28 Feb 02 BC | Types B, C and short versions | |
| B SR10-0198-01 21.05.01 BC | A IWO 007012 20.07.00 VVS | PART NO. V42254-B1***-C***-7626 | |
| REV CHANGE ORDER | DATE | APP | Customer Drawing Nr. C 1392009-8 |