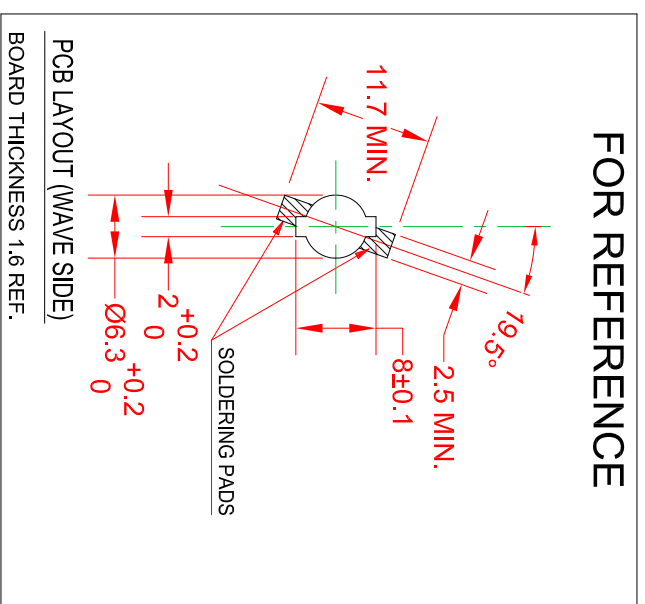
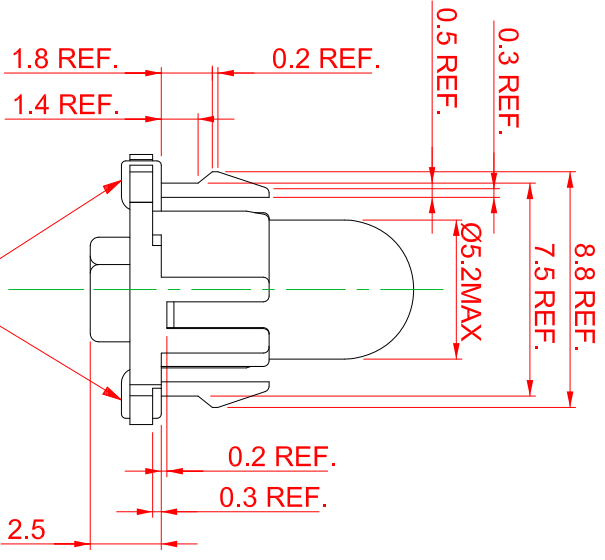
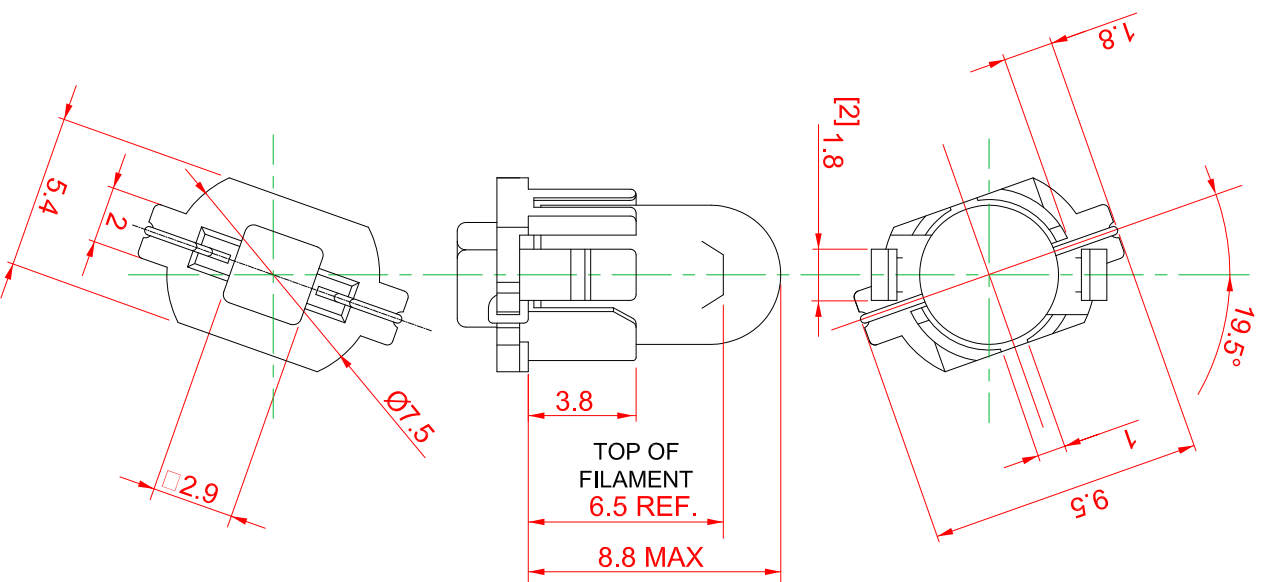


REV.	DESCRIPTION/ECO NO.	DATE
	RELEASE	6/24/13



LAMP TYPE	VOLTS RATED	AMPS ± 10%	*MSCP ± 25%	*LUMENS ± 25%	AVERAGE LIFE HRS.	FILAMENT TYPE	BASE COLOR
DW10	14.0	.100	.500	6.29	10,000	C-2F	BLACK

* LAMP RATING ONLY WITHOUT BASE AND FILTER

JKL PART NO.: DPS-DW10/BLA/39-04-5U

FILTER NUMBER	*COLOR X	*COLOR Y
39-04-5U	0.36	0.41

* COLOR AT 12.5 VOLTS.

	DIMENSIONS ARE IN MILLIMETERS			TOLERANCE UNLESS OTHERWISE SPECIFIED	
	1 PL +/- 0.2	2 PL +/- 0.20		ANGLE +/- 0	
DRAWN BY L. WENGSTROM		APP'D BY L.R.	DATE 6/24/13	TITLE	
- CAD DRAWING -		SCALE	SIZE	T-1 1/4 PUSH LOCK LAMP WITH FILTER	
MANUAL REVISIONS NOT PERMITTED			55335	JKL COMPONENTS CORPORATION	
		RELEASED DATE 6/24/13	DRAWING NO. DPS-DW10/BLA/39-04-5U		
		REVISION DATE			
		REV. NO.			
		SHEET			
		1 OF 1			