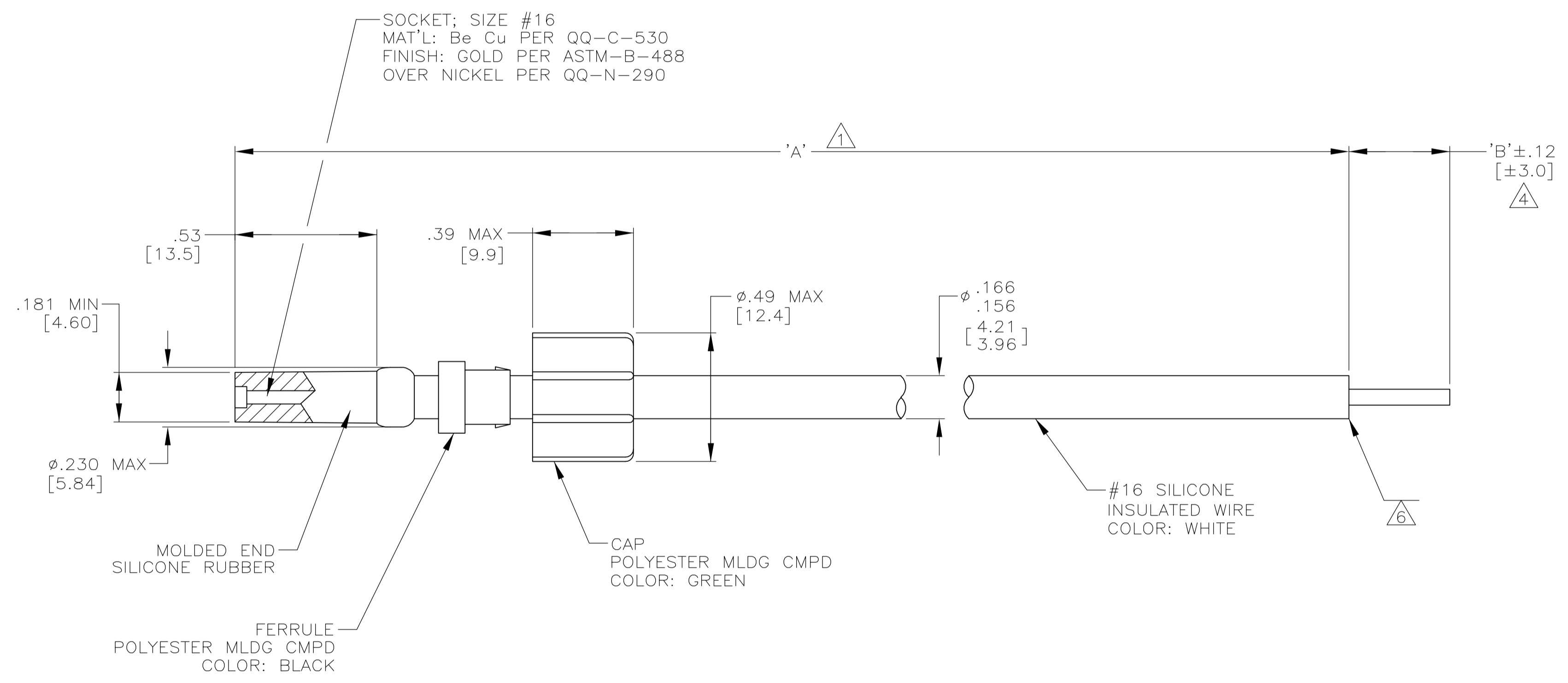


PART NO.	'A'	[mm]	'B'	[mm]	REMARKS
862545-1	6.00	[152.4]	.38	[9.7]	△4
862545-2	8.00	[203.2]	.38	[9.7]	△4
862545-3	10.00	[254.0]	.38	[9.7]	△4
862545-4	12.00	[304.8]	.38	[9.7]	△4
862545-5	15.00	[381.0]	.38	[9.7]	△4
862545-6	18.00	[457.2]	.38	[9.7]	△4
862545-7	21.00	[533.4]	.38	[9.7]	△4
862545-8	24.00	[609.6]	.38	[9.7]	△4
862545-9	4.50	[114.3]	.50	[12.7]	OBSOLETE
1-862545-0	11.00	[279.4]	.25	[6.3]	△4
1-862545-1	48.00	[1219.2]	.38	[9.7]	△4
1-862545-2	20.00	[508.0]	.38	[9.7]	OBSOLETE
1-862545-3	13.00	[330.2]	.38	[9.7]	△4
1-862545-4	14.00	[355.6]	.38	[9.7]	△4
1-862545-5	600.00	[15240.0]	.38	[9.7]	OBSOLETE
1-862545-6	16.00	[406.4]	.38	[9.7]	△4
1-862545-7	5.00	[127.0]	.38	[9.7]	△4
1-862545-8	36.00	[914.4]	.38	[9.7]	△4
1-862545-9	60.00	[1524.0]	.38	[9.7]	△4
2-862545-0	84.00	[2133.6]	.38	[9.7]	OBSOLETE
2-862545-1	7.50	[190.5]	.38	[9.7]	△4
2-862545-2	30.00	[762.0]	.38	[9.7]	△4
2-862545-3	9.00	[228.6]	.38	[9.7]	△4
2-862545-4	14.50	[368.3]	.38	[9.7]	△4
2-862545-5	22.00	[558.8]	.38	[9.7]	△4
2-862545-6	17.63	[447.8]	.38	[9.7]	△4
2-862545-7	11.63	[295.4]	.38	[9.7]	OBSOLETE
2-862545-8	72.00	[1828.8]	.38	[9.7]	△4
2-862545-9	33.00	[838.2]	.38	[9.7]	△4
3-862545-0	19.00	[482.6]	.38	[9.7]	OBSOLETE
3-862545-1	37.00	[939.8]	.38	[9.7]	OBSOLETE
3-862545-2	9.50	[241.3]	.38	[9.7]	OBSOLETE
3-862545-3	6.13	[155.7]	.38	[9.7]	OBSOLETE
3-862545-4	4.00	[101.6]	.38	[9.7]	△4
3-862545-5	40.00	[1016.0]	.38	[9.7]	OBSOLETE
3-862545-6	7.00	[177.8]	.38	[9.7]	OBSOLETE
3-862545-7	28.00	[711.2]	.38	[9.7]	OBSOLETE
3-862545-8	31.00	[787.4]	.38	[9.7]	OBSOLETE
3-862545-9	240.00	[6096.0]	.38	[9.7]	△4
4-862545-0	16.63	[422.4]	.38	[9.7]	OBSOLETE
4-862545-1	108.00	[2743.2]	.38	[9.7]	△4
4-862545-2	17.00	[431.8]	.38	[9.7]	OBSOLETE
4-862545-3	360.00	[9144.0]	.38	[9.7]	OBSOLETE
4-862545-4	79.00	[2006.6]	.38	[9.7]	OBSOLETE
4-862545-5	6.50	[165.1]	.38	[9.7]	△4
4-862545-6	96.00	[2438.4]	.38	[9.7]	△4
4-862545-7	144.00	[3657.6]	.38	[9.7]	△4
5-862545-1	6.00	[152.4]	.38	[9.7]	△6
5-862545-2	8.00	[203.2]	.38	[9.7]	△6
5-862545-4	12.00	[304.8]	.38	[9.7]	△6
5-862545-6	18.00	[457.2]	.38	[9.7]	△6
5-862545-8	24.00	[609.6]	.38	[9.7]	△6
6-862545-0	11.00	[279.4]	.25	[6.3]	△6
6-862545-4	14.00	[355.6]	.38	[9.7]	△6
6-862545-7	5.00	[127.0]	.38	[9.7]	△6
6-862545-8	36.00	[914.4]	.38	[9.7]	△6
7-862545-1	7.50	[190.5]	.38	[9.7]	△6
7-862545-4	14.50	[368.3]	.38	[9.7]	△6

LOC	DIST	REV	DESCRIPTION	DATE	BY	APP'D
DF	SO	AD	REV PER ECO-05-002582	06-05	AA	DE

- △1 TOLERANCE OF LEAD LENGTH:
UP TO 24 INCHES [609.6] = ±.12 [±3.0]
24 INCHES [609.6] & UP = ±1%
- 2. MARKED PER MIL-STD-130.
- 3. TO MATE WITH AMP LGH-1/2 RECEPTACLE WITH .53 BARREL DEPTH.
- △4 WHERE APPLICABLE PIGTAIL IS SOLDER DIPPED.
- 5. OPERATING VOLTAGE: 10 KVDC AT 0 TO 70,000 FEET, -55°C TO 125°C.
- △6 INSULATION CUT TO LENGTH, BUT NOT REMOVED.



THIS DRAWING IS A CONTROLLED DOCUMENT.		DWG C.C.THOMAS 16-NOV-89	 Tyco Electronics Corporation Harrisburg, Pa 17105-3608
DIMENSIONS: INCHES		CHK D. FARY 01-DEC-89	
TOLERANCES UNLESS OTHERWISE SPECIFIED:		APP'D D. FARY 01-DEC-89	NAME LEAD ASSY POS STOP, SGL END LGH-1/2
0 PLC ± - 1 PLC ± - 2 PLC ± .02 [0.5] 3 PLC ± - 4 PLC ± - ANGLES ± -		PRODUCT SPEC	RESTRICTED TO
MATERIAL SEE CALLOUTS		FINISH SEE CALLOUTS	SIZE A1
CUSTOMER DRAWING		WEIGHT -	CAGE CODE 00779
		DRAWING NO 862545	SCALE 3:1
		SHEET 1 OF 1	REV AD