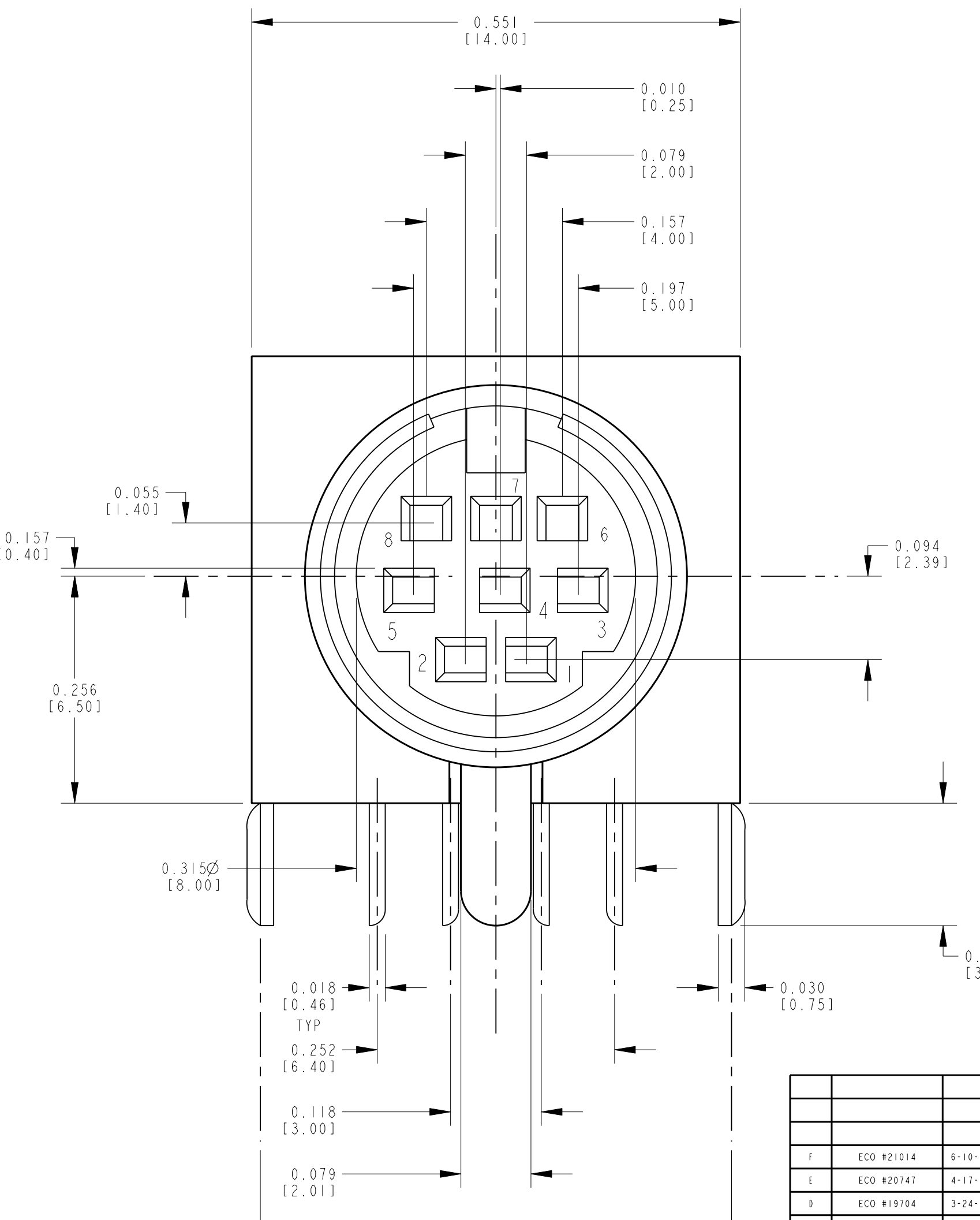
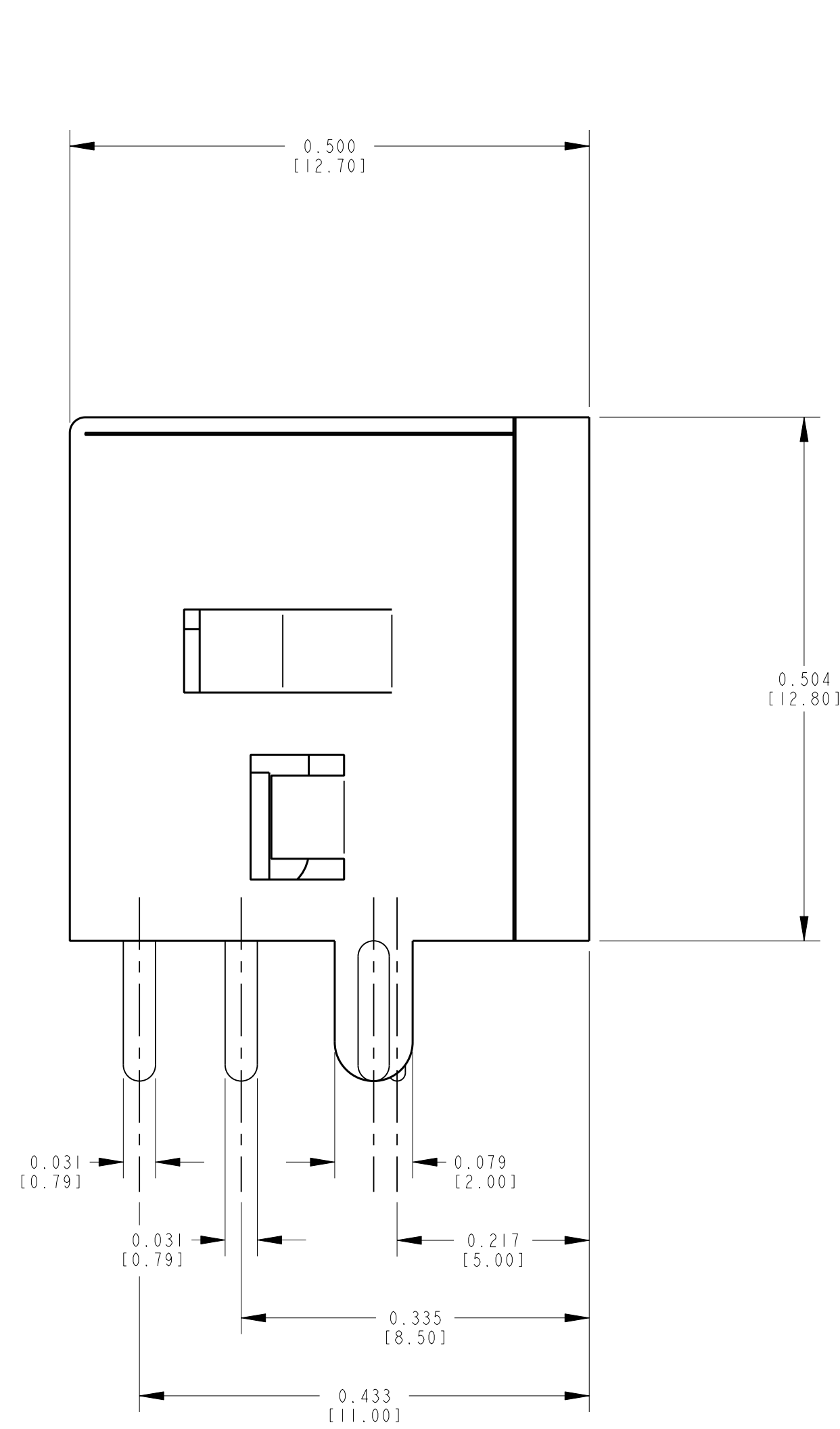


SWITCHCRAFT CATALOG PART NUMBER

SILVER PLATED CONTACT	S-MD3FRA111	SILVER PLATED CONTACT	S-MD4FRA111	SILVER PLATED CONTACT	S-MD5FRA111	SILVER PLATED CONTACT	S-MD6FRA111	SILVER PLATED CONTACT	S-MD7FRA111	SILVER PLATED CONTACT	S-MD8FRA111
<p>FRONT FACE OF CONTACTS</p>		<p>FRONT FACE OF CONTACTS</p>		<p>FRONT FACE OF CONTACTS</p>		<p>FRONT FACE OF CONTACTS</p>		<p>FRONT FACE OF CONTACTS</p>		<p>FRONT FACE OF CONTACTS</p>	
<p>RECOMMENDED P.C. BOARD LAYOUT (SOLDER SIDE) SCALE: 1:1.375</p>		<p>RECOMMENDED P.C. BOARD LAYOUT (SOLDER SIDE) SCALE: 1:1.375</p>		<p>RECOMMENDED P.C. BOARD LAYOUT (SOLDER SIDE) SCALE: 1:1.375</p>		<p>RECOMMENDED P.C. BOARD LAYOUT (SOLDER SIDE) SCALE: 1:1.375</p>		<p>RECOMMENDED P.C. BOARD LAYOUT (SOLDER SIDE) SCALE: 1:1.375</p>		<p>RECOMMENDED P.C. BOARD LAYOUT (SOLDER SIDE) SCALE: 1:1.375</p>	



**CURRENT CARRYING CAPACITY**

1A, 100V AC
2A, 12V DC
INSULATION RESISTANCE: 50M $\Omega$ MIN
DIELECTRIC STRENGTH: 250V DC/1 MINUTE
CONTACT RESISTANCE: 30m $\Omega$ MAX I
INSERTION FORCE: 0.8-5 KG / 1.76-11.1b
EXTRACTION FORCE: 0.8-4 KG / 1.76-8.81b

**CUSTOMER DRAWING**  
CAD/CAM DWG. NO. SMD3-SMD8FRA111\_CD  
SHEET 1 OF 1

THIS DRAWING DESCRIBES A DESIGN CONSIDERED PROPRIETARY IN NATURE, DEVELOPED AND MANUFACTURED BY SWITCHCRAFT INC. AND IS RELEASED ON A CONFIDENTIAL BASIS FOR IDENTIFICATION PURPOSE ONLY.

UNLESS OTHERWISE SPECIFIED				FINISH	MATERIAL
F	ECO #21014	6-10-96	DEA KS	SILVER PLATE	
E	ECO #20747	4-17-96	DEA KS		
D	ECO #19704	3-24-95	RC GHJ		
A	FIRST DRAW	9-7-90	SG EB		
ISSUE	CHANGE NO.	DATE	BY	APP'D	

1. ALL DIMENSIONS IN INCHES  
2. DECIMAL DIMENSIONS  $\pm$  .005  
3. FRACTIONAL DIMENSIONS  $\pm$  1/64  
4. ANGLES  $\pm$  1/2°  
5. ALL DIA'S CONCENTRIC WITHIN .005 T.I.R.  
6. REMOVE ALL BURRS  
7. MAKE NO DIMENSIONAL ALLOWANCES FOR APPLIED FINISHES, I.E., PLATING, PAINTING, ETC.  
8. HOLES ON THE SAME CENTERLINE MUST BE ALIGNED WITHIN  $\pm$ .002

REVISIONS

DATE	BY	APP'D

DO NOT SCALE DRAWING

DATE DRAWN	BY	CHK'D	APP'D
9-7-90	SG	EB	DV

NAME: MINI DIN

PART NO: SMD3/SMD8FRA111

ISSUE: F

Pro/Engineer CAD File

# Mouser Electronics

Authorized Distributor

Click to View Pricing, Inventory, Delivery & Lifecycle Information:

[Switchcraft:](#)

[SMD3FRA111](#) [SMD4FRA111](#) [SMD5FRA111](#) [SMD6FRA111](#) [SMD7FRA111](#) [SMD8FRA111](#)