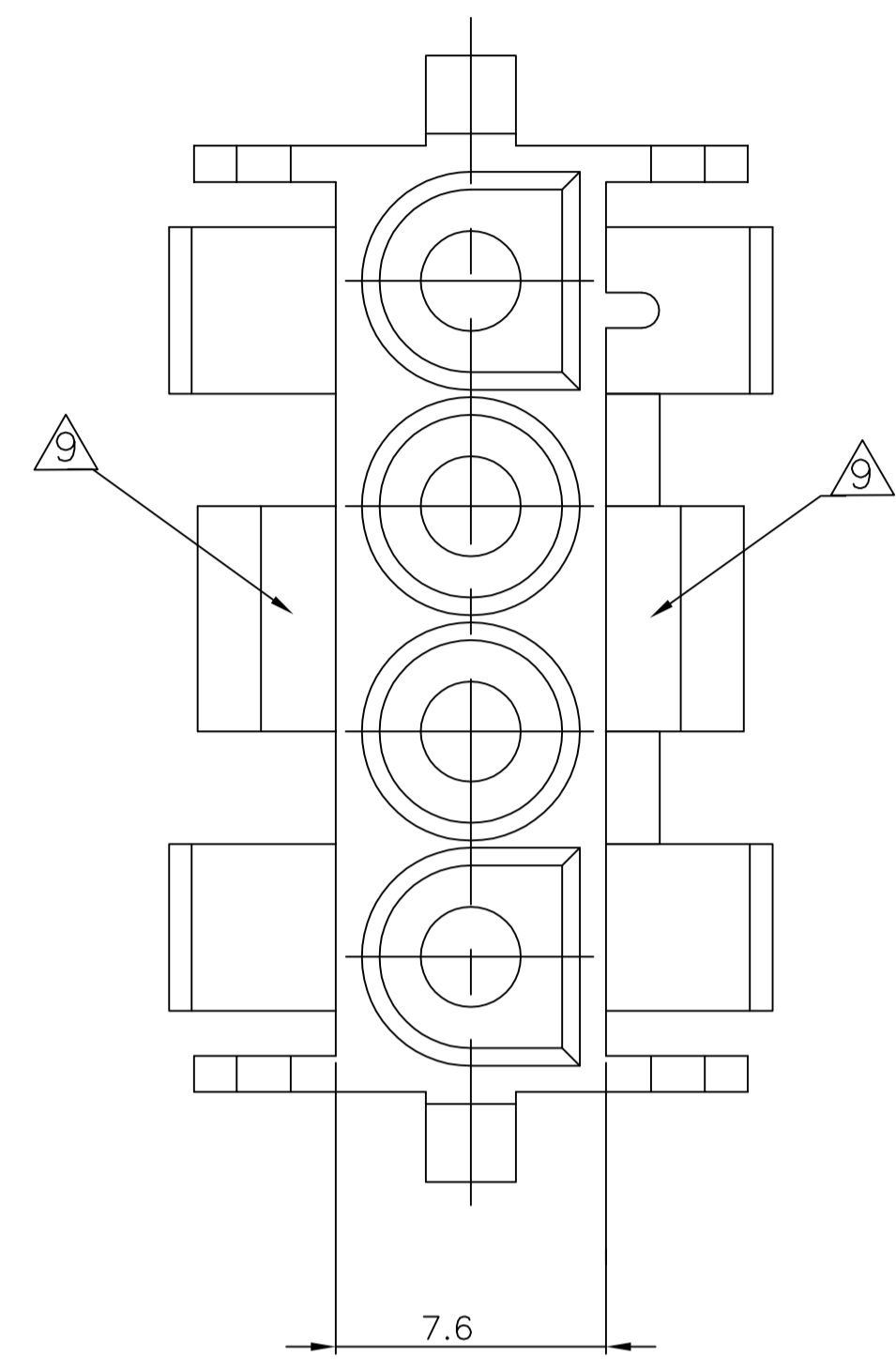
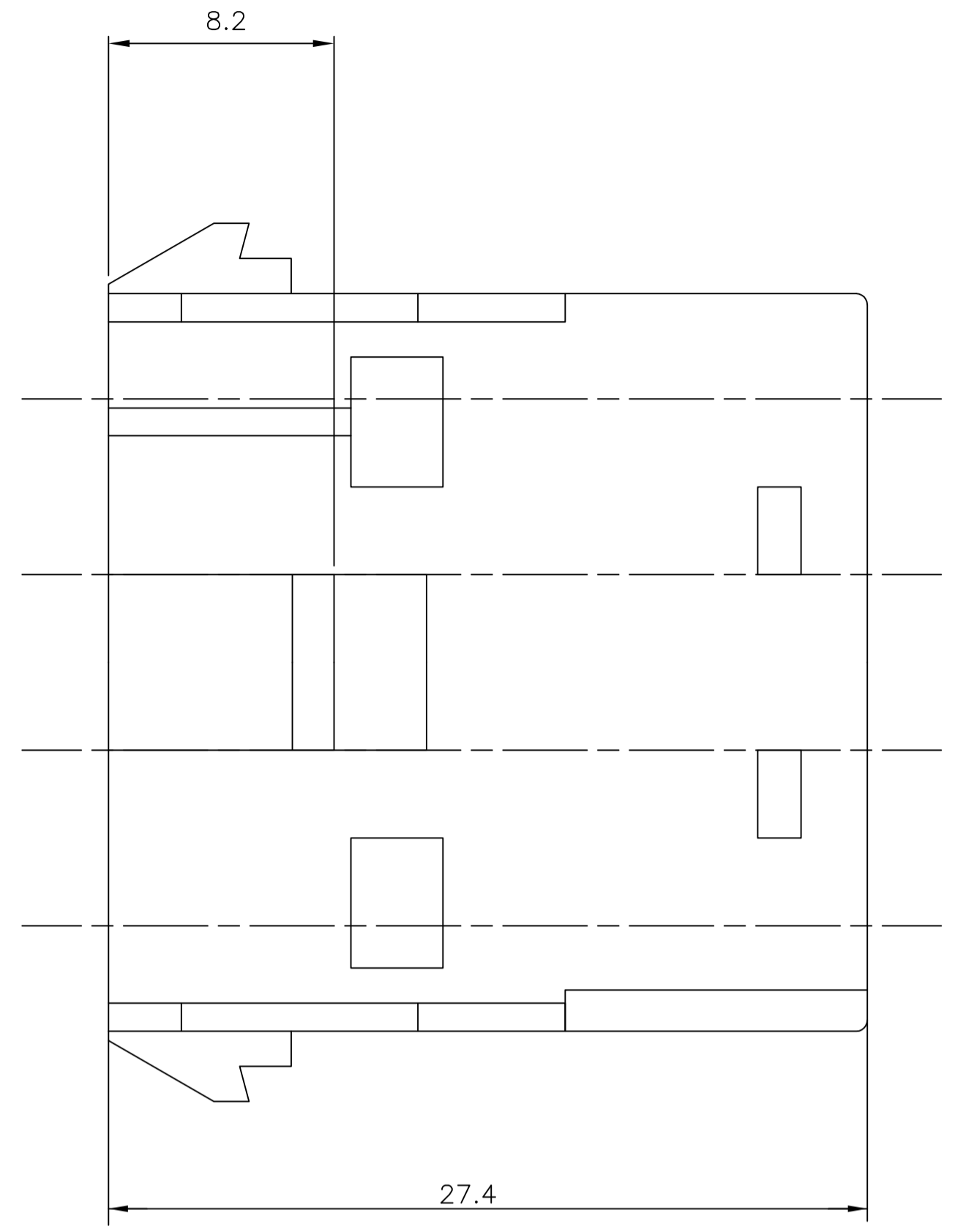
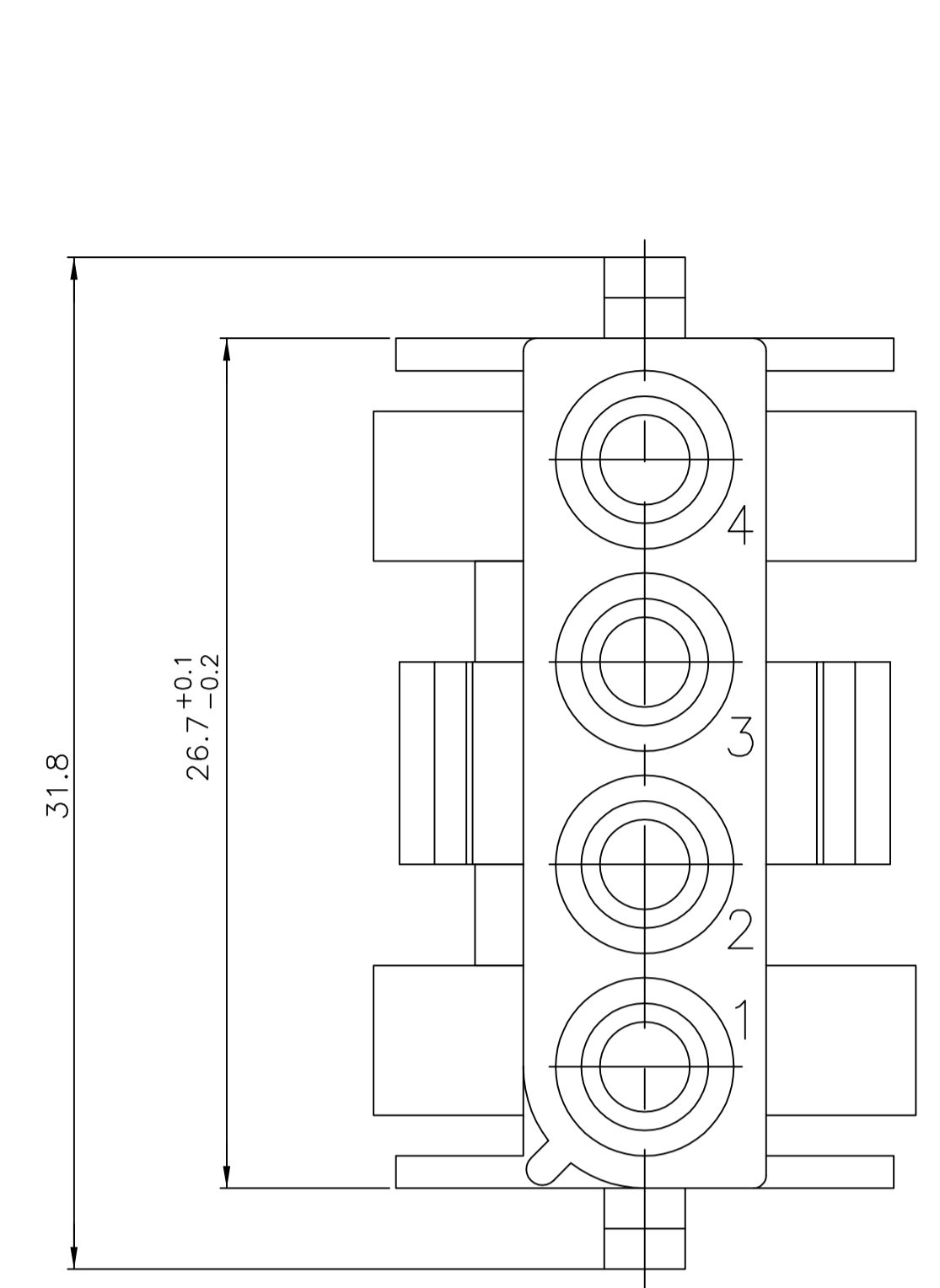
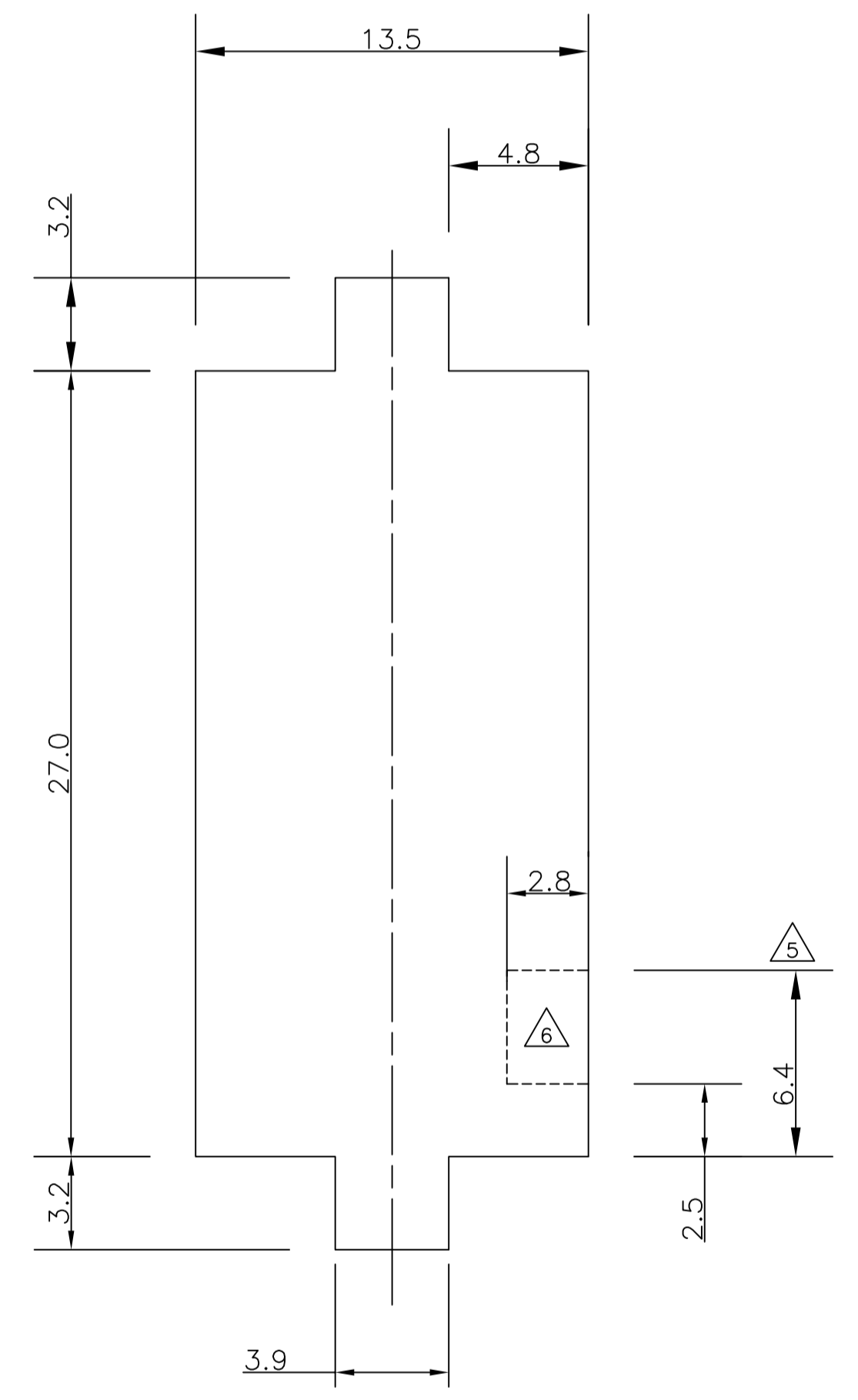


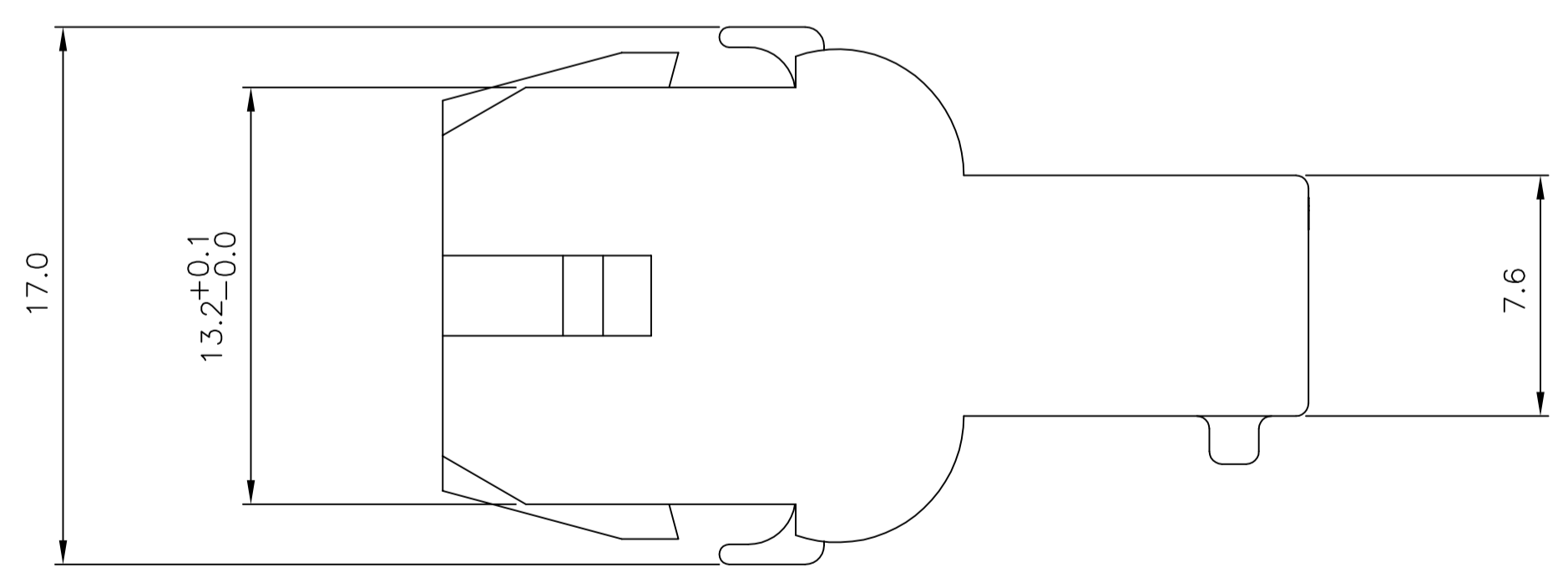
REVISIONS				
P	LTR	DESCRIPTION	DATE	DWN / APD
H7		REVISED PER ECR-17-014951	16OCT2017	BDA KR



- 1 Geeignet für UMNL stift-uns Buchsenkontakte
- 2 Passend zu UMNL-steckergehäuse 926298, 350779, 480702
- 3 Empfohlene Blechstärke 0.75-2.3mm
- 4 Gehäuse muß in stanzrichtung eingeführt werden
- 5 Für verschlüsseltes Einsetzen der Gehäuse
- 6 Position von kammer 1 bei verschlüsseltem Einsetzen der gehäuse
- 7 NEUES MATERIAL (PHOSPHOR UND HALOGEN FREI)
- 8 GWT 750°C (WITHOUT FLAME)
- 9 CSA CERTIFICATION LOGO LOCATED ONCE ON ANY INDICATED SURFACE APPROXIMATELY AS SHOWN
- 10 DIMENSIONS SHOWN REPRESENT PRODUCT IN DRY, AS MOLDED, CONDITION. ADDITIONAL 2% GROWTH DUE TO SUBSEQUENT MOISTURE ABSORPTION MAY OCCUR AND SHOULD BE ACCOUNTED FOR.



Montageausschnitt 3



MATERIAL	PART NO
PA6.6 UL94 V-0 GWT750 NOFLAME 8	926305-7
PA6 UL94 V2 NATURAL 8	926305-6
PA6.6 UL94 V2 NATURAL	926305-5
PA6.6 UL94 V-0 Weiß	926305-4
PA6.6 UL94 V-0 NATURAL 7	926305-3
PA6.6 UL94 V-0 Schwarz	926305-2
Zytel EFE 1030 natural UL 94 V-2	926305-1

THIS DRAWING IS A CONTROLLED DOCUMENT.

DIMENSIONS: mm	TOLERANCES UNLESS OTHERWISE SPECIFIED:	DWN: KARTHICK 06FEB2014	CHK: ASHWINI 06FEB2014	APD: RAJENDRA PAI 06FEB2014	NAME: UNIVERSAL MATE-N-LOK
0 PLC ± -	1 PLC ± 0.25	TE Connectivity			RESTRICTED TO
2 PLC ± 0.13	3 PLC ± -	4 WAY CAP HOUSING			SCALE 2:1 SHEET 1 OF 1 REV H7
4 PLC ± -	ANGLES ± -	SIZE: A1	CAGE CODE: 00779	DRAWING NO: 926305	
MATERIAL: SEE TABLE	FINISH: -	CUSTOMER DRAWING			