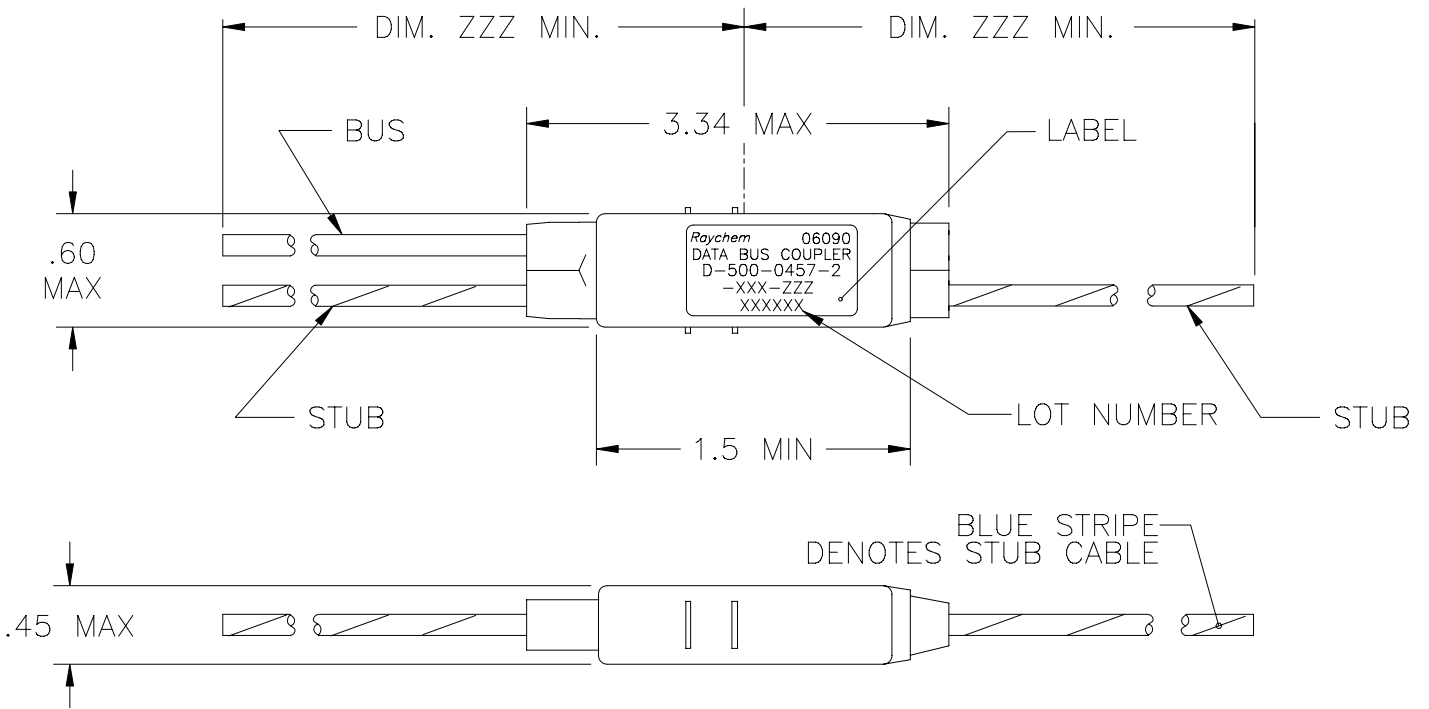


| REVISION | | |
|----------|-------------------------------|---------|
| REV | DESCRIPTION | DATE |
| E | REVISED PER DCR NUMBER T31569 | 6/12/03 |



| COMPONENT NUMBER | BUS CABLE | STUB CABLE |
|----------------------|------------|-------------|
| D-500-0457-2-612-ZZZ | 10612-24-9 | 10612-24-96 |
| D-500-0457-2-613-ZZZ | 10613-24-9 | 10613-24-96 |
| D-500-0457-2-614-ZZZ | 10614-24-9 | 10614-24-96 |

PART NO. D-500-0457-2-XXX-ZZZ

SCHEMATIC
7=TERMINATOR (AS SHOWN)

LENGTH OF CABLE (INCHES)

2=DOUBLE STUB

CABLE
612=10612
613=10613
614=10614

If this document is printed it becomes uncontrolled.
Check for the latest revision.

UNLESS OTHERWISE SPECIFIED DIMENSIONS ARE INCHES. METRIC DIMENSIONS ARE IN BRACKETS.

DECIMAL TOLERANCES
.XXX ± --- [--- mm]
.XX ± --- [--- mm]
.X ± --- [--- mm]

ANGLE TOLERANCE
.X ± ---

WEIGHT
SEE NOTES

DRAWN
D.PIQUE

DATE
95MAY11

MATERIAL

FINISH

THIRD ANGLE PROJECTION

SPECIFICATION CONTROL DRAWING

tyco
Electronics

Tyco Electronics
300 CONSTITUTION DRIVE
MENLO PARK, CALIFORNIA 94025 USA

Raychem

TITLE
DATABUS MICROCOUPLER
TWO STUB IN-LINE, 04 SERIES
WITH BUS TERMINATOR

SIZE
A

CODE IDENT. NO.
06090

DWG. NO.
D-500-0457-2-XXX-ZZZ

CAD FILE
T31569A

DO NOT SCALE THIS DRAWING SHEET 1 OF 2

1. MATERIAL AND FINISHES:

1.1 INTERNAL COMPONENTS:

1.1.1 -TRANSFORMER TO MIL-PRF-21038 AND MIL-STD-1553B

1.1.2 -RESISTORS, ISOLATION PER MIL-PRF-39007/9, 57.6 OHMS (R1)

1.1.3 -RESISTOR, TERMINATION PER MIL-PRF-39007/9, 76.8 OHMS (R2)

1.2 SHIELDED CASE: ALUMINUM PER ASTM-B618

1.3 SEALED STRAIN RELIEF COVER: MODIFIED CROSS-LINKED ELASTOMER, BLACK, TO RAYCHEM SPECIFICATION RK-6713.

1.4 CABLE TYPE PER RAYCHEM SPECIFICATION 1200 (SEE PART NO. ON SHEET 1).

2. APPLICATION:

2.1 THIS COUPLER IS DESIGNED TO BE INSTALLED INTO A DIGITAL MULTIPLEX ASSEMBLY MEETING THE REQUIREMENTS OF MIL-STD-1553B.

2.2 FOR CABLE SPLICING USE FLEXIBLE SPLICE KIT D-150-0708-5 (NOT SUPPLIED)

2.3 CABLE BEND RADIUS PER SAE-AS50881 STATIC BEND: 5 x CABLE O.D. MIN.
DYNAMIC BEND: 10 x CABLE O.D. MIN.

3. TEMPERATURE:

3.1 OPERATING TEMPERATURE: -65°C TO +150°C

4. PERFORMANCE SPECIFICATIONS:

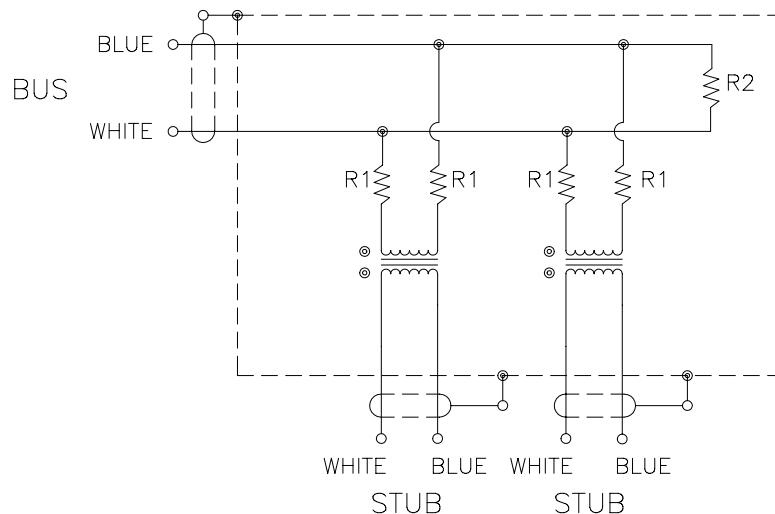
4.1 TRANSFORMER MEETS THE PERFORMANCE REQUIREMENTS OF MIL-STD-1553B.

4.2 COUPLER MEETS THE PERFORMANCE REQUIREMENTS OF RAYCHEM SPECIFICATION D-6020.

5. WEIGHT:

5.1 MAXIMUM WEIGHT WITHOUT CABLE: 15 GRAMS MAX.

TWO STUB COUPLER SCHEMATIC



If this document is printed it becomes uncontrolled.
Check for the latest revision.

SPECIFICATION CONTROL DRAWING

| | | | | | |
|---------------------|-----------------------------------|---------------------------|--------------------------|----------------------------------|--------------|
| DRAWN DCP | DATE 95MAY11 | SIZE A | CODE IDENT. NO. 06090 | DWG. NO. D-500-0457-2-XXX-ZZZ | REV E |
| CAD FILE T31569B | tyco Electronics | DO NOT SCALE THIS DRAWING | | | SHEET 2 OF 2 |