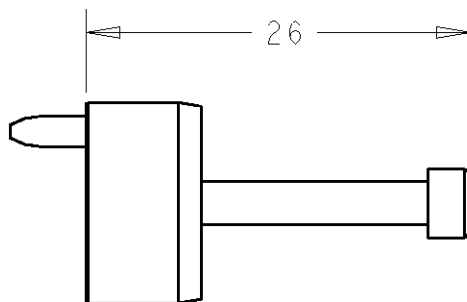
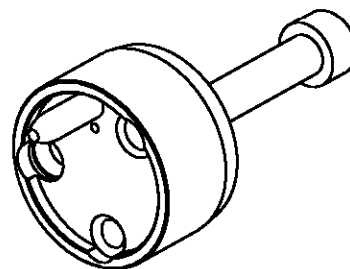


LOC	DIST	REVISIONS			
P	LTR	DESCRIPTION	DATE	DWN	APVD
CE	16	A	RELEASE PER 0A00-0088-02	29SEP03	KG DW

1. DIMENSIONS ARE NOMINAL UNLESS OTHERWISE INDICATED.



20

RELEASED FOR PUBLICATION

THIS DRAWING IS UNPUBLISHED.

BY TYCO ELECTRONICS CORPORATION. ALL RIGHTS RESERVED.

© COPYRIGHT 20

1515844-1
PART NUMBER

DIMENSIONS: mm TOLERANCES UNLESS OTHERWISE SPECIFIED: 0 PLC ±- 1 PLC ±- 2 PLC ±- 3 PLC ±- 4 PLC ±- ANGLES ±-	DWN K. GLATFELTER 25SEP2003	MATERIAL	FINISH			
	CHK D. WERTMAN 29SEP2003	tyco Electronics Tyco Electronics Harrisburg, PA 17105-3608				
APVD D. WERTMAN 29SEP2003	NAME INSERT ASS'Y FIXTURE PRO BEAM JR.					
PRODUCT SPEC	SIZE		CAGE CODE	DRAWING NO	RESTRICTED TO	
APPLICATION SPEC	A 4		00779	C=1515844	-	
WEIGHT	CUSTOMER DRAWING		SCALE	SHEET	OF	REV
			2:1	1	1	A