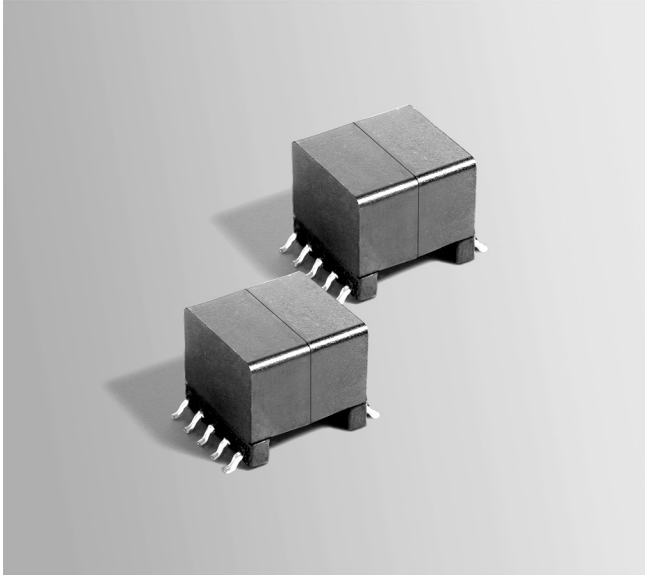




Flyback Transformer

For TI LM5071 & LM5072 PD Controllers



- Dual-output flyback transformer for Power over Ethernet
- Operates in continuous mode at 250 kHz with 14 – 60 V input
- 2000 Vrms isolation from primary and auxiliary to secondaries

Core material Ferrite

Terminations RoHS compliant tin-silver over tin over nickel over phos bronze. Other terminations available at additional cost.

Weight 6.35g

Ambient temperature -40°C to +85°C

Storage temperature Component: -40°C to +85°C.

Tape and reel packaging: -40°C to +80°C

Resistance to soldering heat Max three 40 second reflows at +260°C, parts cooled to room temperature between cycles

Moisture Sensitivity Level (MSL) 1 (unlimited floor life at <30°C / 85% relative humidity)

Failures in Time (FIT) / Mean Time Between Failures (MTBF)

38 per billion hours / 26,315,789 hours, calculated per Telcordia SR-332

Packaging 175 per 13" reel. Plastic tape: 32 mm wide, 0.5 mm thick, 28 mm pocket spacing, 12.93 mm pocket depth

PCB washing Tested with pure water or alcohol only. For other solvents, see Doc787_PCB_Washing.pdf

Part number ¹	L at 0 A ² ±10% (µH)	L at Ipk ³ min (µH)	DCR max (Ohms)	Leakage L ⁴ max (µH)	Turns ratios	Ipk ³ (A)	Outputs
DA2257-AL_	35.0	30.0	0.225 (aux) 0.138 (gate) 0.010 (sec 1) 0.018 (sec 2) 0.062 (pri)	0.95	2 : 1 (pri : aux) 3.6 : 1 (pri : gate) 6 : 1 (pri : sec1) 3.6 : 1 (pri : sec 2)	2.7	10 V, 0.05 A (aux) 5.5 V, 0.05 A (gate) 3.3 V, 2.0 A (sec 1) 5.0 V, 1.0 A (sec 2)

1. When ordering, please specify **packaging** code:

DA2257-ALD

Packaging: D = 13" machine-ready reel. EIA-481 embossed plastic tape (175 parts per full reel).

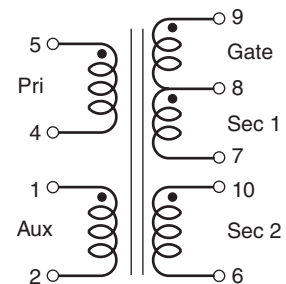
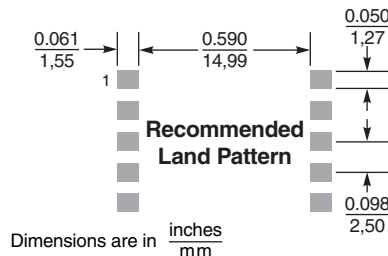
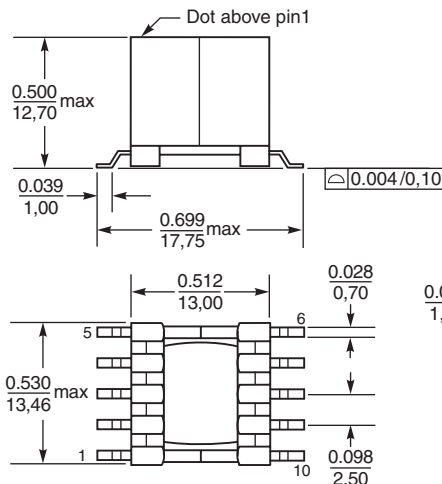
B = Less than full reel. In tape, but not machine ready. To have a leader and trailer added (\$25 charge), use code letter D instead.

2. Inductance is for the primary, measured at 250 kHz, 0.2 Vrms, 0 Adc.

3. Ipk is peak primary current drawn at minimum input voltage.

4. Leakage inductance is for the primary winding with all other pins shorted.

5. Electrical specifications at 25°C.



US +1-847-639-6400 sales@coilcraft.com
UK +44-1236-730595 sales@coilcraft-europe.com
Taiwan +886-2-2264 3646 sales@coilcraft.com.tw
China +86-21-6218 8074 sales@coilcraft.com.cn
Singapore + 65-6484 8412 sales@coilcraft.com.sg

Document 509 Revised 10/29/08

© Coilcraft Inc. 2014

This product may not be used in medical or high risk applications without prior Coilcraft approval. Specification subject to change without notice. Please check web site for latest information.