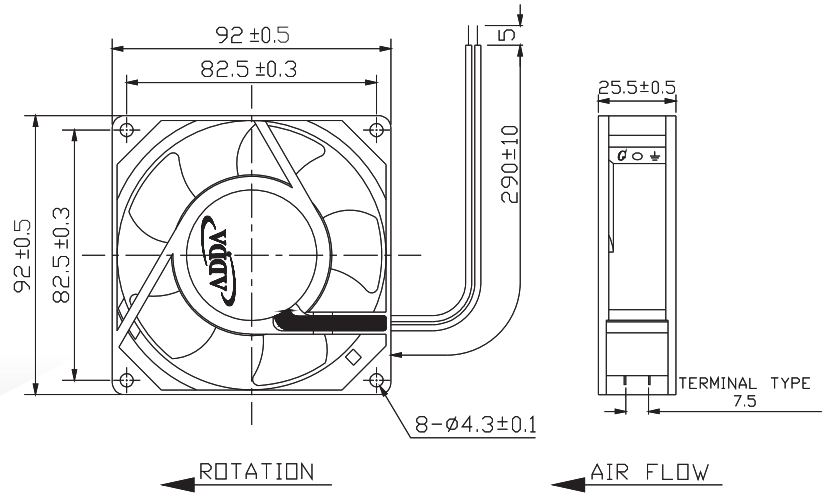




AA9225 SERIES

External Dimensions



Frame: Aluminum Alloy
 Impeller: Plastic (UL: 94V-0)
 Motor Structure: Shaded Pole Induction Motor.
 Motor Protection: Impedance Protect.
 Lead wire: UL 1430 AWG22
 Wire Type: -AT Terminal / -AW Wires
 OPERATING TEMP*: -10°C ~ 70°C
 *: -10°C ~ 60°C for fans with sleeve/ball combination bearings.

Specifications(Nominal)

Frame size (mm)	Model No.	Bearing System Type	Volt. (VAC)	Freq. (Hz)	Current (A)	Power (W)	Rated Speed (rpm)	Maximum AirFlow (CMM)	Maximum AirFlow (CFM)	Maximum Pressure (InAq)	Maximum Pressure (mmAq)	*Noise Level (dB/A)	Weight (g)
92x92x25	AA9251MB-AT	◎※	115	50/60	0.12/0.10	14.90/12.90	1800/2150	0.707/0.863	25.0/30.5	0.064/0.078	1.613/1.955	21.1/26.8	230
	AA9252MB-AT	◎※	230	50/60	0.07/0.06	14.90/12.90							
	AA9251HB-AT	◎※	115	50/60	0.08/0.07	7.40/6.00	2000/2400	0.792/0.962	28.0/34.0	0.076/0.116	1.930/2.946	24.1/30.1	
	AA9252HB-AT	◎※	230	50/60	0.07/0.06	13.40/11.00							

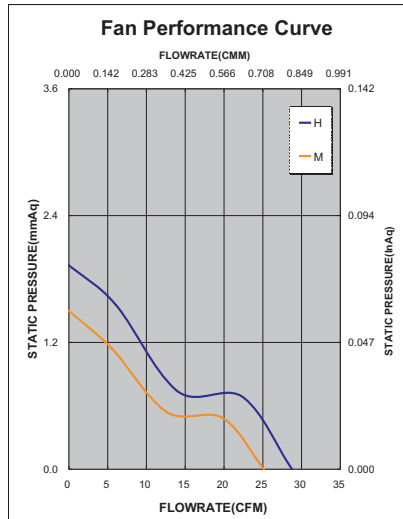
Bearing type: ◎=Ball ※=Sleeve ●=Hypro bearing

*Noise is measured at the distance of one (1) meter from the axis of intake.

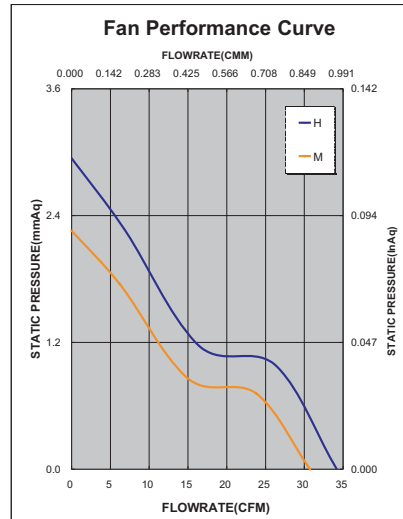
Specifications subject to change without notice.

The specification for bearing type is for reference only, for more bearing types information, please contact with your ADDA sales representative, thanks!!
 (網頁上呈現產品軸承資訊均以2Ball為主, 若需其他產品資訊請聯絡您在ADDA的業務代表, 謝謝!!)

50Hz



60Hz



*Safety approvals

✓	✓		✓	✓