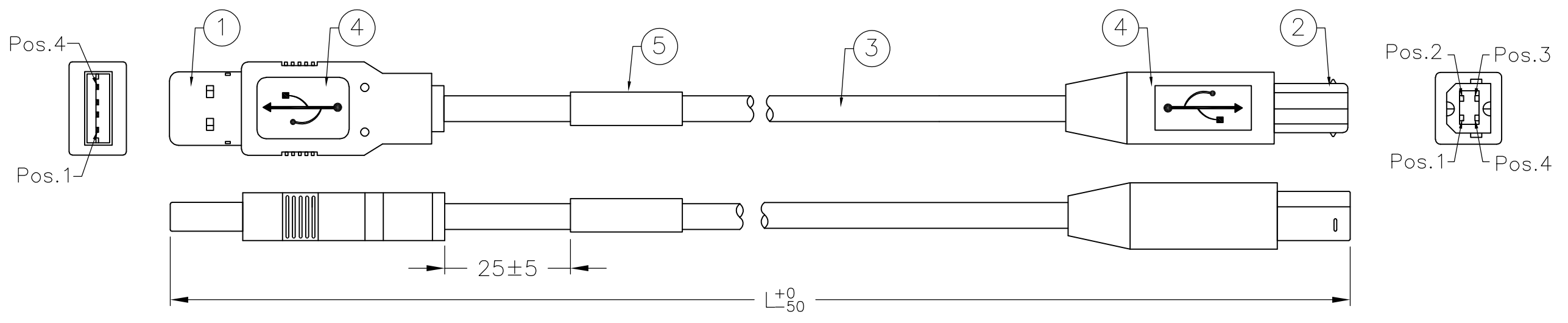


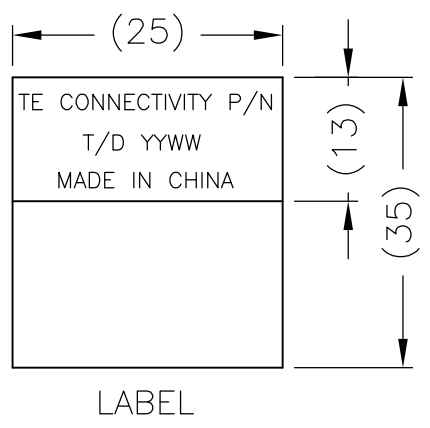
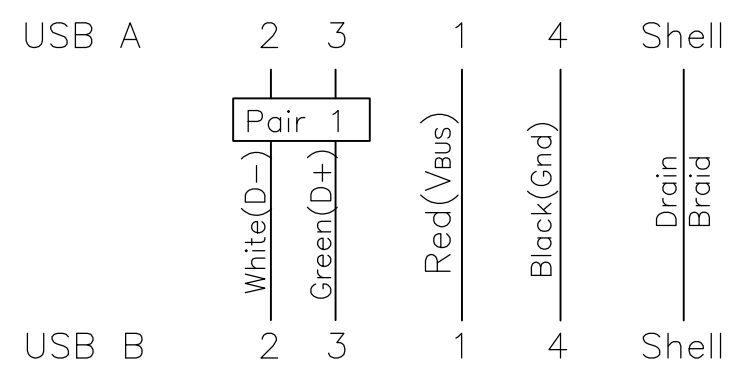
THIS DRAWING IS UNPUBLISHED. RELEASED FOR PUBLICATION  
 © COPYRIGHT - By - ALL RIGHTS RESERVED.

LOC GP	DIST 00	REVISIONS		
P	LTR	DESCRIPTION	DATE	DWN
	D2	REVISED PER ECO-14-001080	23Jan2014	H.M M.L

Tooling Drawing NO.  
 USB A: TR00662  
 USB B: TR00664



PIN ASSIGNMENT :



PART NO.	1487596-1	1487596-2	1487596-3	1487596-4
LENGTH(L)	2000	1500	1829	1000

AR	AR	AR	AR	MR	COPPER FOIL, W: 5MM	6
1	1	1	1	PC	LABEL, 25x35mm, White 25x13mm	5
AR	AR	AR	AR	KG	Overmold PVC, 40P, Color: Black(BK01)	4
AR	AR	AR	AR	MR	USB 2.0 Cable 28AWG*1P+24AWG*2C+Al/Mylar +Drain+Braid, Color: Black(BK01).	3
1	1	1	1	EA	USB 4Pin Connector Contacts: Gold 30U Plated, Shell: Nickel Plated, Housing UL94V-0 B Type.	2
1	1	1	1	EA	USB 4Pin Connector Contacts: Gold 30U Plated, Shell: Nickel Plated, Housing UL94V-0 A Type.	1
-4	-3	-2	-1	U/M	DESCRIPTION	ITEM

- NOTES:
- TESTED FOR CONTINUITY, SHORTS AND OPENS, HI-POT 630V FOR 10MS.
  - CABLE ASSEMBLY MEETS USB 2.0 STANDARDS.
  - EXPOSED CABLE BRAID IS NOT PERMISSIBLE BEYOND OVERMOLD.
  - THE FINAL CABLE ASSEMBLY MAXIMUM LENGTH NOT TO EXCEED 2700MM PER USB SPECIFICATIONS.
  - MEETS REQUIREMENTS OF EU DIRECTIVE 2002/95/EC

THIS DRAWING IS A CONTROLLED DOCUMENT.		DWN BOVEY LIU 25/FEB/02	TE Connectivity <b>CABLE ASSEMBLY, USB A TYPE TO USB B TYPE</b>	
DIMENSIONS: mm		CHK -		
TOLERANCES UNLESS OTHERWISE SPECIFIED:		APVD F.D. McCORKEL 15/MAR/02	NAME	
0 PLC ± -		PRODUCT SPEC	-	
1 PLC ± -		APPLICATION SPEC	-	
2 PLC ± -		WEIGHT	-	
3 PLC ± -		SIZE	CAGE CODE	DRAWING NO
4 PLC ± -		A3 00779		C=1487596
ANGLES ± -		RESTRICTED TO		-
FINISH		SCALE		N.T.S
MATERIAL		SHEET		1 OF 1
-		REV		D2
-		CUSTOMER DRAWING		