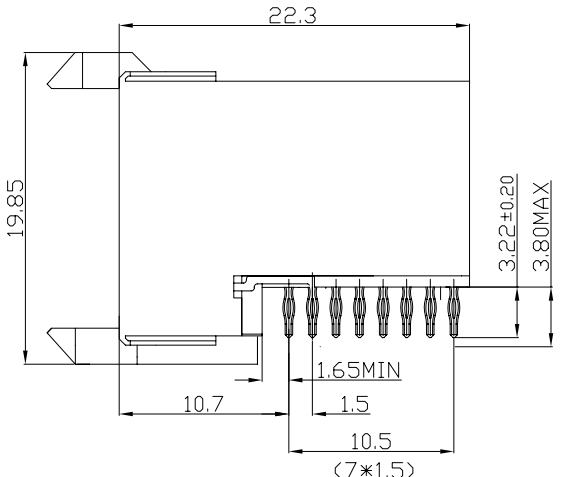
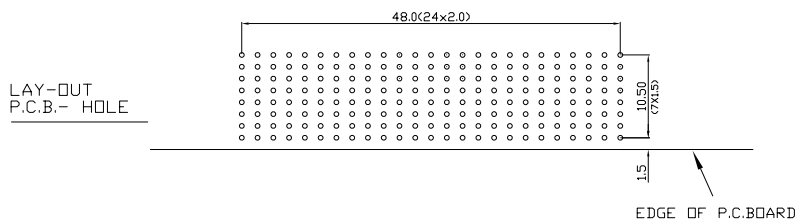
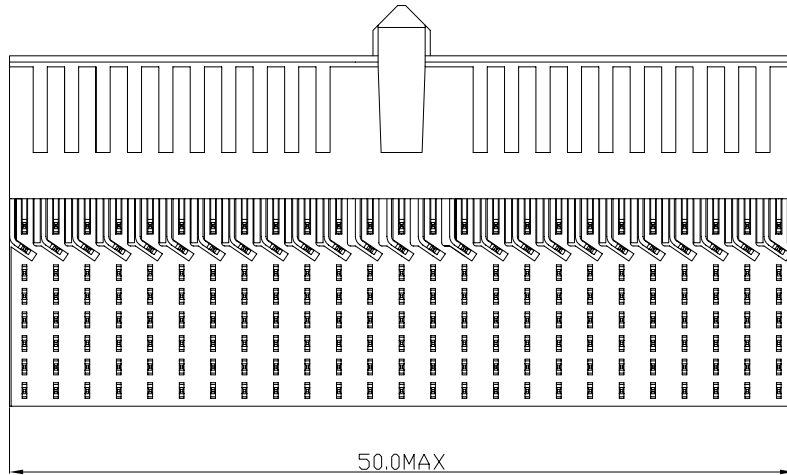
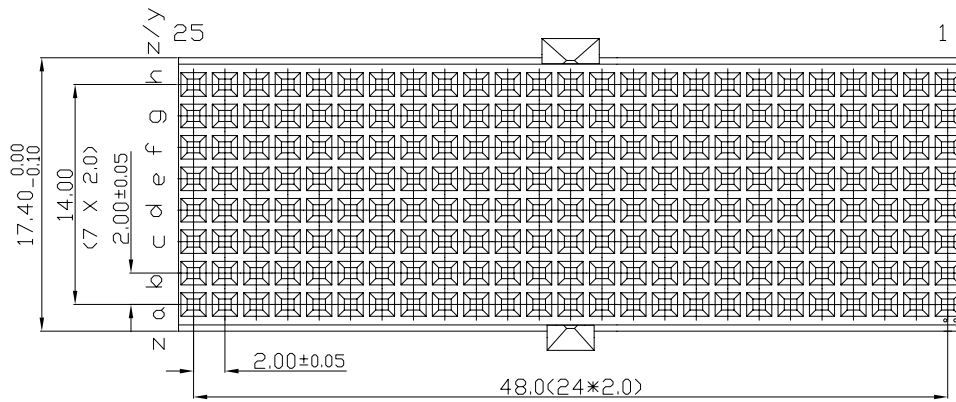


Tous droits strictement reserves. Reproduction ou communication a des tiers interdite sous quelque forme que ce soit sans autorisation ecrite du proprietaire. Propriete de c FCI. Droits de reproduction FCI.



All rights strictly reserved. Reproduction or issue to third parties in any form whatever is not permitted without written authority from the proprietor. Property of FCI. Copyright FCI.



**PERFORMANCE CHARACTERISTICS**

CURRENT RATING 1.5A AT 20°C (FULLY LOADED)  
 1 A AT 70°C (FULLY LOADED)  
 RATED VOLTAGE : 500 V AC (CONT /CONT)  
 OPERATING TEMPERATURE : -55°C TO 125°C  
 CONTACT RESISTANCE 20 MΩ MAX  
 INSERTION FORCE : 0.75N MAX/CONT  
 EXTRACTION FORCE : 0.15N MIN/CONT  
 INSULATION RESISTANCE : 10<sup>4</sup> MΩ MIN

- NOTES 1. LEAD FREE INDICATOR LF=LEAD FREE  
 PERFORMANCE LEVEL INDICATOR (REF DWG NO.BSC 201844.003)  
 2. THIS PRODUCT IS CSA APPROVED. THIS PRODUCT IS UL RECOGNIZED.  
 3. FOR RECOMMENDED PTH DIMENSIONS REFER DRAWING : BS.A201572.001  
 4. THIS PRODUCT (LF) MEETS EUROPEAN UNION DIRECTIVES AND OTHER COUNTRY REGULATIONS AS DESCRIBED IN GS-22-008

rev	ecn no	dr	date
A	CONVERSION REVISION 01	KN	14-09-01
B	DG05-0278	Kasor	05-08-05
C	DG07-0362	Kasor	05-09-07

<b>FCI</b>		www.fciconnect.com		tolerance 1DEC #0.2 1DEC 2DEC #0.1 2DEC ANGLES #1° HOEKEN	projection 	MM 
Dr	M,FRET	11-07-00	Product family	MILLIPICS	size	A4
Eng			Spec ref			Scale
Chr			Material		ECN	3/1
Appr						
title				MPACS 8+2R RA RCP CONN TYPE DE/UPPER SHIELDED		Rev.
catalog no				HM2R95PA8100----	customer	sheet 1 of 1
				dwg no	BS,C ,202258,010	C