

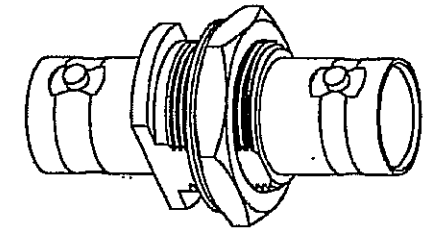
NOTES: FINISH (PLATING THICKNESS IN MICRO-INCHES)

1. MATERIALS AND FINISHES:  
 BODY - BRASS, NICKEL-PLATING  
 CONTACT - BRASS, GOLD PLATING  
 INSULATOR - DELRIN
2. ELECTRICAL:  
 A. IMPEDANCE: 75 OHM  
 B. DIELECTRIC WITHSTANDING VOLTAGE: 1500 VRMS, MIN.
3. MECHANICAL:  
 A. DURABILITY: 500 CYCLES MIN.  
 B. TEMPERATURE RANGE: -65° C TO +165° C
4. MAX. PANEL THICKNESS=5.5mm

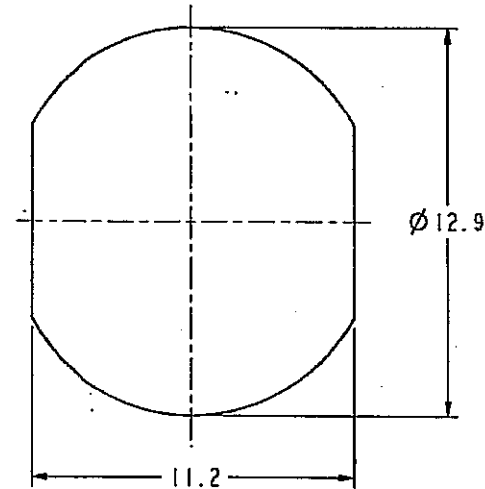
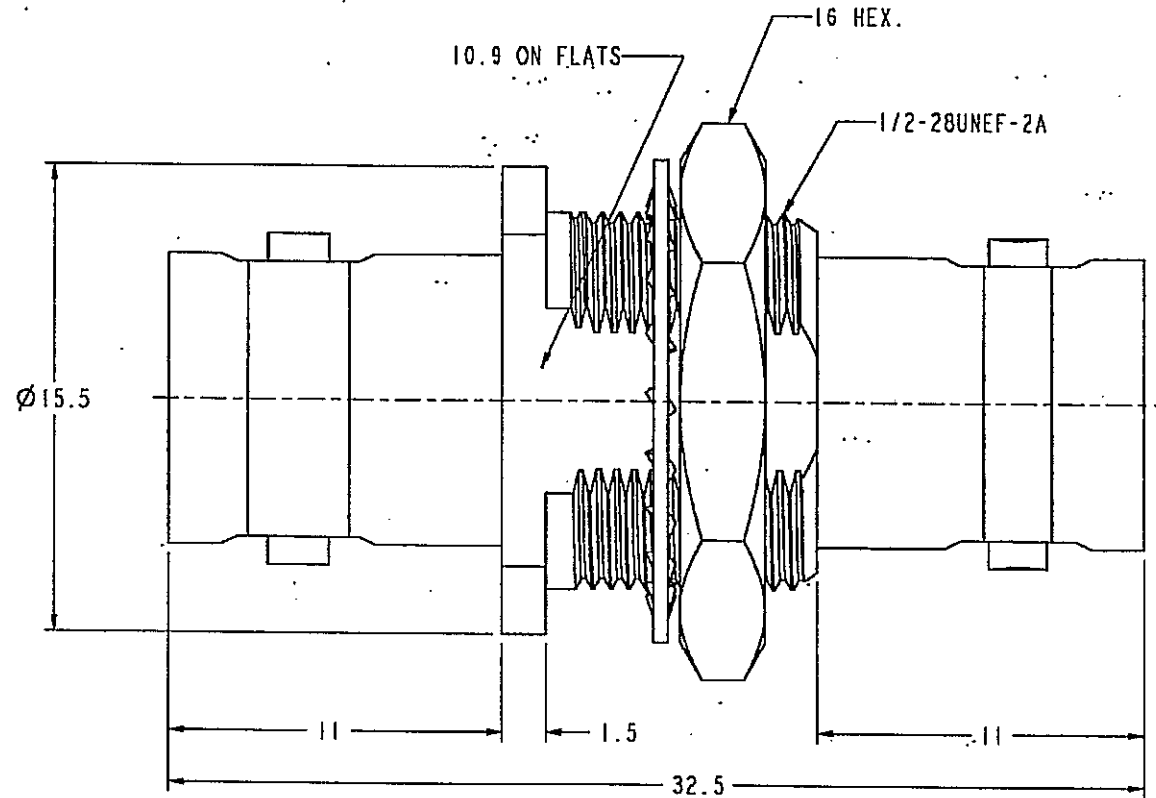
THIRD ANGLE PROJ.

REVISIONS

REV	DESCRIPTION	DATE	ECO	APPR
A	RELEASE TO MFG.	02-Aug-07	46699	SX



SCALE 2.000



RECOMMENDED MOUNTING HOLE

**CUSTOMER OUTLINE DRAWING**

ALL OTHER SHEETS ARE FOR INTERNAL USE ONLY

UNLESS OTHERWISE SPECIFIED, DIMENSIONS ARE METRIC AND TOLERANCES ARE:  
 0.5 - 6mm ± 0.1mm  
 6 - 30mm ± 0.2mm  
 30 - 120mm ± 0.3mm  
 ANGLES ± 1°

NOTICE - These drawings, specifications, or other data (1) are, and remain the property of Amphenol Corp. (2) must be returned upon request; and (3) are confidential and not to be disclosed to any person other than those to whom they are given by Amphenol Corp. The finishing of these drawings, specifications, or other data by Amphenol Corp., or to any other person in any manner licensing, granting rights to permitting such holder or any other person to manufacture, use or sell any product, process or design, patented or otherwise, that may in any way be related to or disclosed by said drawings, specifications, or other data.

MATERIAL	DRAWN S. XIE	DATE 02-Aug-07	TITLE BNC 75 OHM DOUBLE FLAT FEMALE TO FEMALE BULKHEAD ADAPTOR		Amphenol RF Danbury CT USA, Tainan, Taiwan, Shenzhen, China www.amphenolrf.com
REFERENCE	ENGINEER <i>SXM</i>	DATE 02-Aug-07	SCALE: 5.0:1.0 SHEET 2 OF 2		
FINISH	APPROVED <i>SXM</i>	DATE 2-Aug-07	DWG SIZE B	CODE 10 74868	DRAWING NO. B7471B1-005-ND3G-75
	CAD FILE I:\BNC\B7471B1-005-ND3G-75		REV A		ITEM NO. 017471AAP00ND7F
					PART NO. 31-220N-75DD