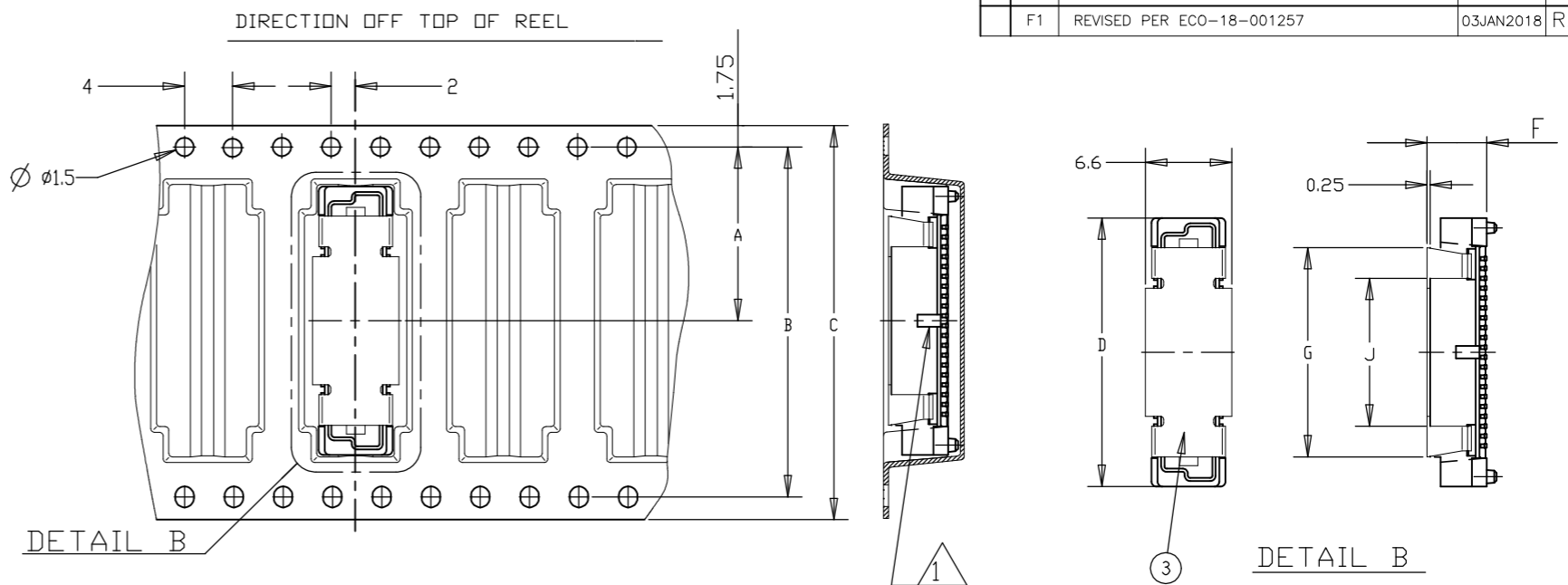


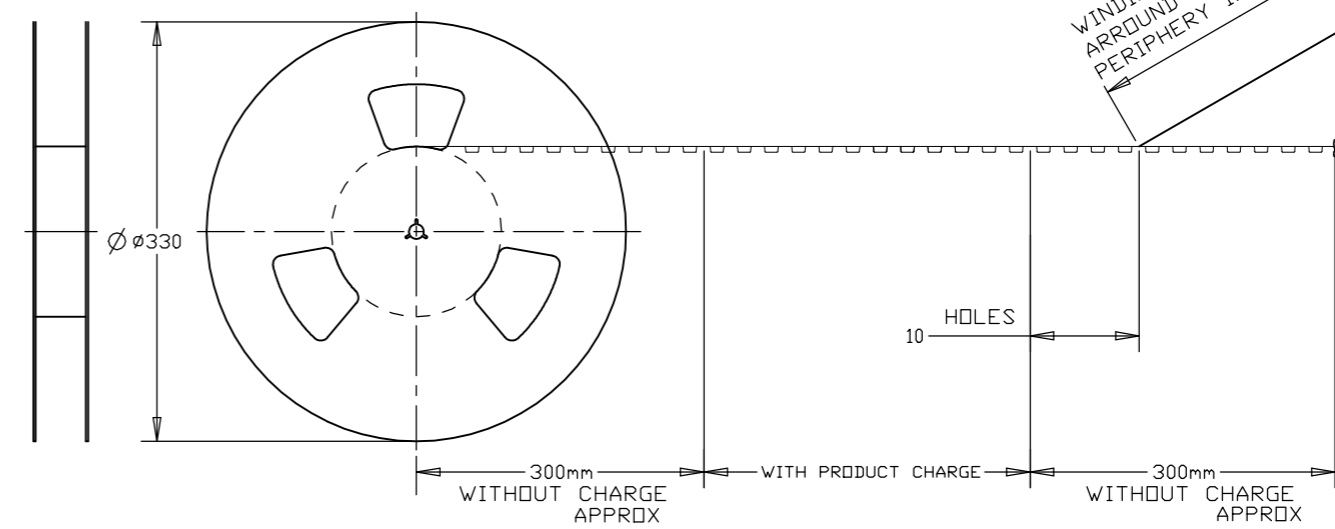
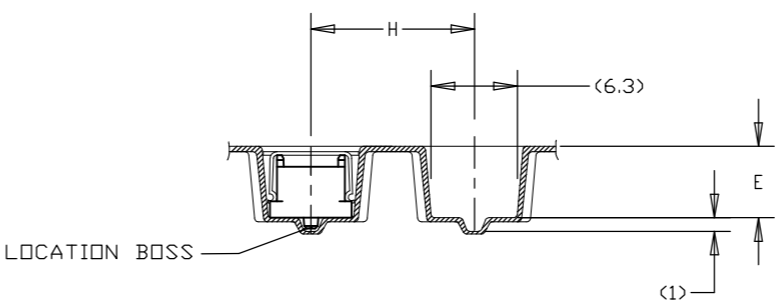
REVISIONS				
P	LTR	DESCRIPTION	DATE	APVD
F1		REVISED PER ECO-18-001257	03JAN2018	R.L H.L

LOW HALOGEN

- Notes:
- 1 CUTOUT FEATURE AVAILABLE ONLY ON 5H ASSY P/N -1 (40P) AND -2 (60P).
 - 6 0.00038 MIN GOLD PLATING (15u INCHES GOLD PLATING)
 - 3 CONNECTOR DIMENSIONS REFERENCED FROM DRAWING WHICH CONN. P/NS BASED
 - 4 CONNECTOR WITH BLACK HOUSING
 - 5 MATERIAL: HOUSING: L.C.P UL 94-V0. CONTACT: BRASS



REMARKS	QTY	HEIGHT TYPE	F1										POS	SALEABLE PART NO.
			Y	X	J	H	G	F	E	D	C	B		
0.00076 MIN GOLD PLATING (30u INCHES GOLD PLATING)	450	7H	3.6	6.6	12	6.85	7.25	61.8	88	84.4	42.2	140	7-	-6
								53.8	72	68.4	34.2	120	7-	-5
700	7H	3.6	6.6	12	6.85	7.25	45.8	72	68.4	34.2	100	7-	-4	
							37.8	56	52.4	26.2	80	7-	-3	
550	7H	3.6	6.6	12	6.85	7.25	29.8	44	40.4	20.2	60	7-	-2	
							21.8	32	28.4	14.2	40	7-	-1	
800	6H	2.6	5.6	12	5.85	6.25	69.8	88	84.4	42.2	160	6-	-8	
							61.8	72	68.4	34.2	140	6-	-6	
650	6H	2.6	5.6	12	5.85	6.25	53.8	72	68.4	34.2	120	6-	-5	
							45.8	56	52.4	26.2	100	6-	-4	
900	5H	1.2	4.6	12	4.85	5.25	29.8	44	40.4	20.2	60	5-	-2	
							21.8	32	28.4	14.2	40	5-	-1	
0.0002 MIN GOLD PLATING (7.8u INCHES GOLD PLATING)	450	7H	3.6	6.6	12	6.85	7.25	85.8	104	100.4	50.2	200	4-	-0
								77.8	104	100.4	50.2	180	3-	-9
600	8H	4.6	7.6	12	7.85	8.25	69.8	88	84.4	42.2	160	3-	-8	
							61.8	72	68.4	34.2	140	3-	-6	
450	7H	3.6	6.6	12	6.85	7.25	53.8	72	68.4	34.2	120	2-	-5	
							45.8	56	52.4	26.2	100	2-	-4	
700	7H	3.6	6.6	12	6.85	7.25	29.8	44	40.4	20.2	60	2-	-2	
							21.8	32	28.4	14.2	40	2-	-1	
550	7H	3.6	6.6	12	6.85	7.25	61.8	88	84.4	42.2	140	1-	-6	
							53.8	72	68.4	34.2	120	1-	-5	
800	6H	2.6	5.6	12	5.85	6.25	45.8	72	68.4	34.2	100	1-	-4	
							37.8	56	52.4	26.2	80	1-	-3	
650	6H	2.6	5.6	12	5.85	6.25	29.8	44	40.4	20.2	60	1-	-2	
							21.8	32	28.4	14.2	40	1-	-1	
900	5H	1.2	4.6	12	4.85	5.25	69.8	88	84.4	42.2	160		-8	
							61.8	72	68.4	34.2	140		-6	
5177986-1	900	5H	1.2	4.6	12	4.85	5.25	53.8	72	68.4	34.2	120		-5
								45.8	56	52.4	26.2	80		-3
5177986-1	450	7H	3.6	6.6	12	6.85	7.25	29.8	44	40.4	20.2	60		-2
								21.8	32	28.4	14.2	40		-1



WINDING THE COVER TAPE AROUND THE OUTER PERIPHERY IN A TURN.

STEEL COVER

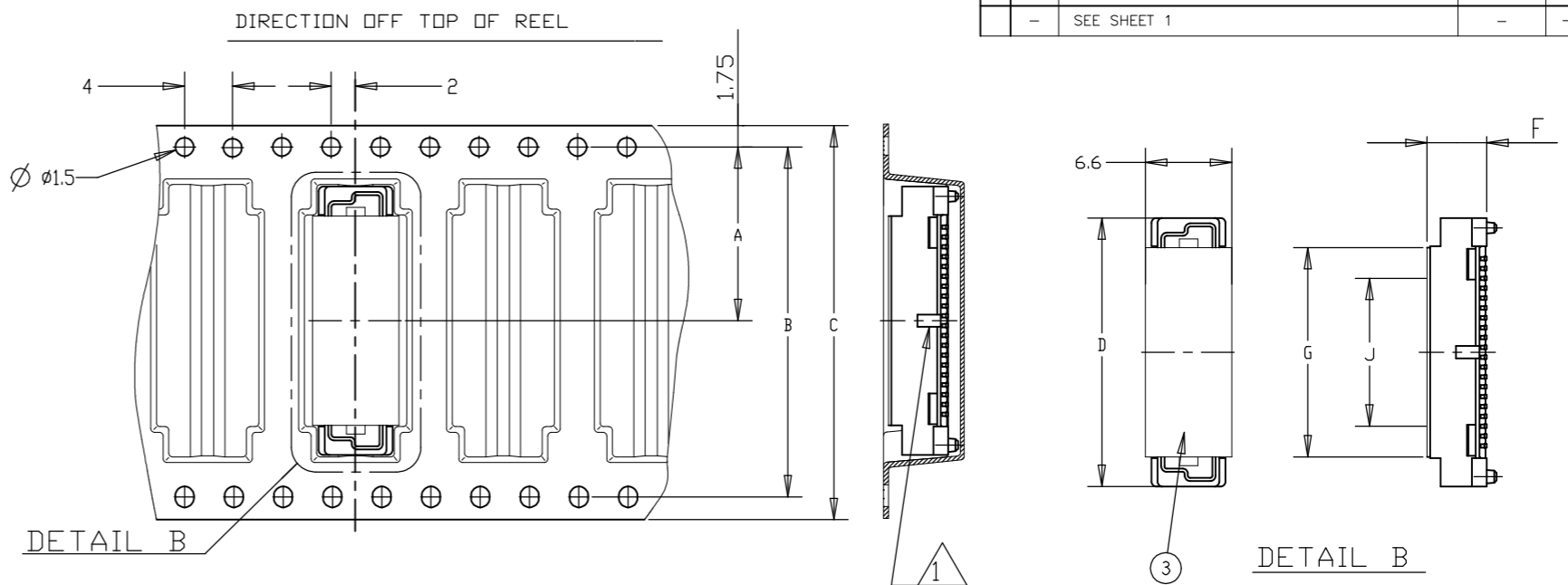
THIS DRAWING IS A CONTROLLED DOCUMENT.		DWN FLORENCE TAN 30AUG2004			RESTRICTED TO	
DIMENSIONS: mm		CHK ERIC TNG 30MAY2012			NAME	
TOLERANCES UNLESS OTHERWISE SPECIFIED:		APVD SF LEONG 30MAY2012	PRODUCT SPEC		-	
0 PLC ± -		APPLICATION SPEC	SIZE		-	
1 PLC ± 0.2		WEIGHT	CAGE CODE		-	
2 PLC ± 0.15		0	DRAWING NO		-	
3 PLC ± 0.1			A2 00779		-	
4 PLC ± -			C=5177986		-	
ANGLES ± -			SCALE		1:1	
FINISH			SHEET		1 of 3	
-			REV		F1	

THIS DRAWING IS UNPUBLISHED. RELEASED FOR PUBLICATION
 © COPYRIGHT - TE Connectivity ALL RIGHTS RESERVED.

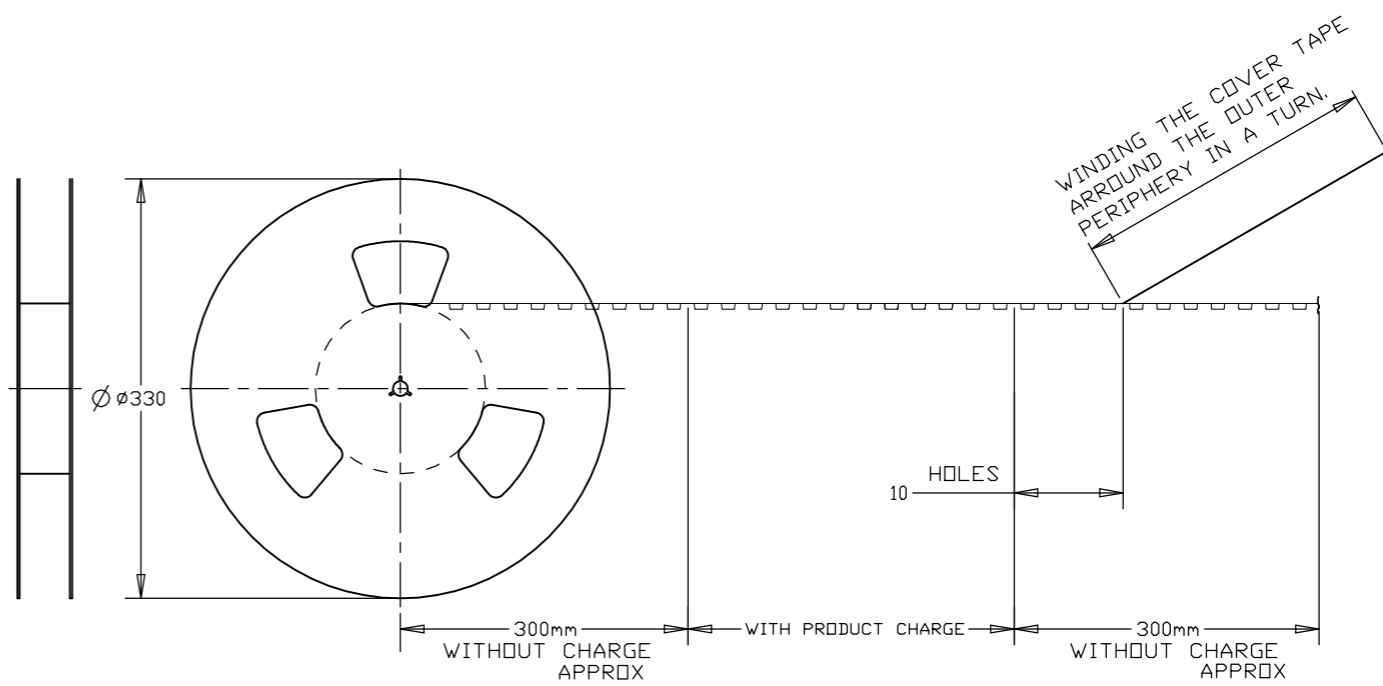
LOW HALOGEN

REVISIONS				
P	LTR	DESCRIPTION	DATE	APVD
-	-	SEE SHEET 1	-	-

Notes:
 6 0.0002 MIN GOLD PLATING
 (7.8u INCHES GOLD PLATING)



LOCATION BOSS

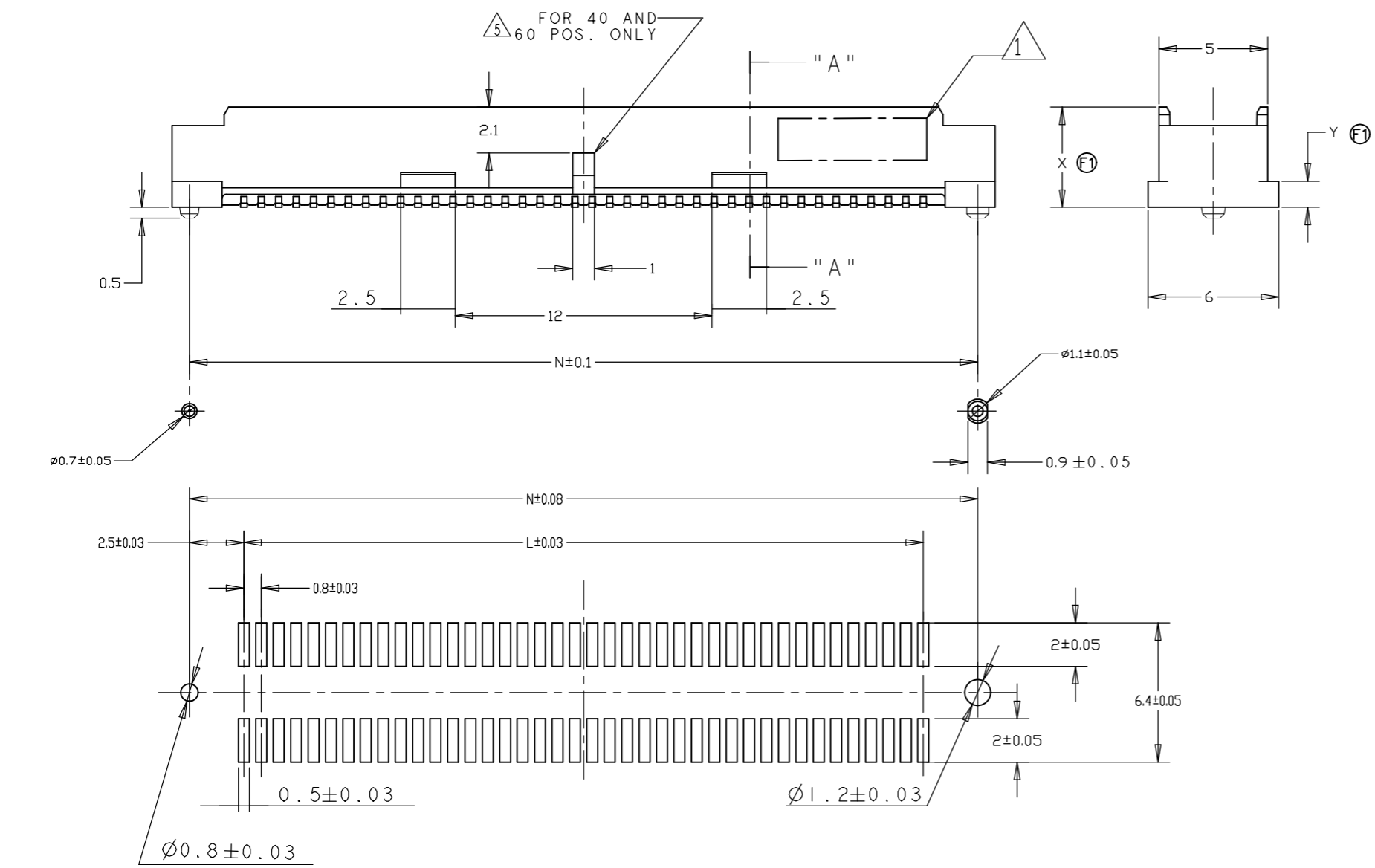
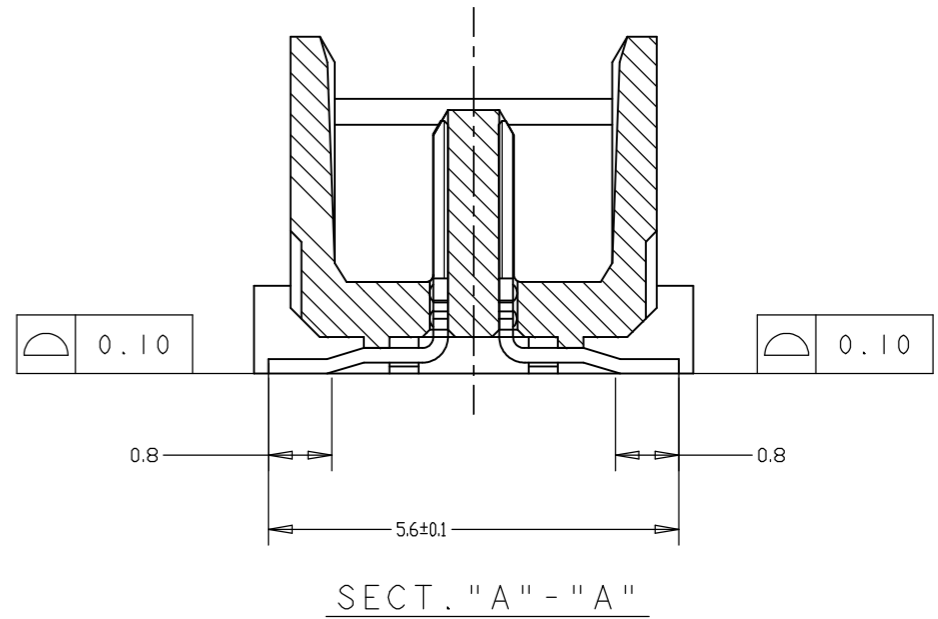
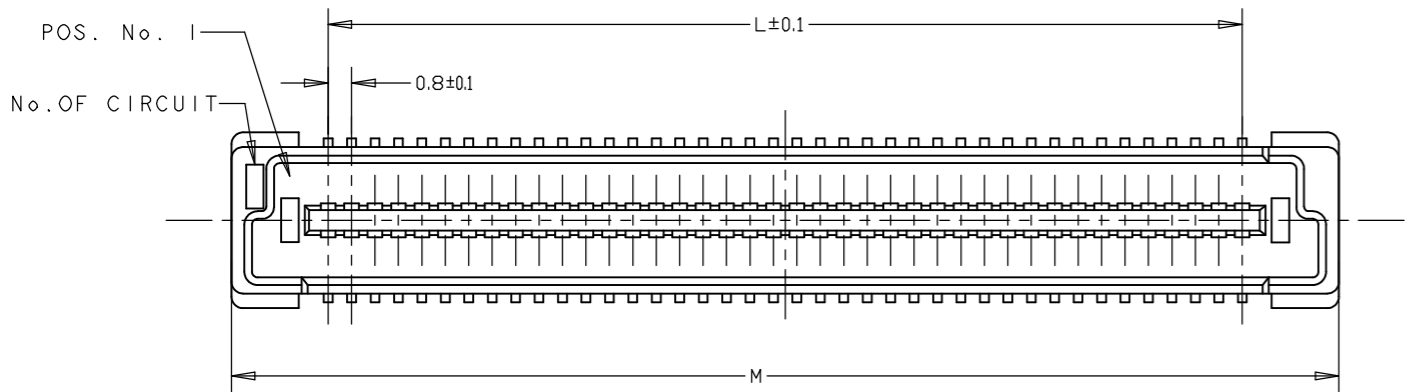


POLYIMIDE COVER

REMARKS	QTY	HEIGHT TYPE	J	H	G	F	E	D	C	B	A	POS	SALEABLE PART NO.
	650	5H	12	16	17	4.85	5.25	61.8	88	84.4	42.2	140	9-5177986-6

THIS DRAWING IS A CONTROLLED DOCUMENT.		DWN FLORENCE TAN 30AUG2004	TE Connectivity	
DIMENSIONS: mm		CHK ERIC TNG 30MAY2012	NAME	
TOLERANCES UNLESS OTHERWISE SPECIFIED:		APVD SF LEONG 30MAY2012	PLUG ASSEMBLY, FH 0.8 ON TAPING (EMBOSS) 0.5 BOSS LENGTH	
0 PLC ± - 1 PLC ± 0.2 2 PLC ± 0.15 3 PLC ± 0.1 4 PLC ± - ANGLES ± -		PRODUCT SPEC	SIZE	RESTRICTED TO
MATERIAL		APPLICATION SPEC	A2	-
FINISH		WEIGHT	CAGE CODE	DRAWING NO
		0	00779	C=5177986
		CUSTOMER DRAWING	SCALE	SHEET
			1:1	2 of 3
			REV	F1

REVISIONS				
P	LTR	DESCRIPTION	DATE	APVD
-	-	SEE SHEET 1	-	-



FOR 40 AND 60 POS. ONLY

CONNECTOR ONLY

84.2	85.8	79.2	200
76.2	77.8	71.2	180
68.2	69.8	63.2	160
60.2	61.8	55.2	140
52.2	53.8	47.2	120
44.2	45.8	39.2	100
36.2	37.8	31.2	80
28.2	29.8	23.2	60
20.2	21.8	15.2	40
(F1)	N	M	L POS.

RECOMMENDED P.C. BOARD LAYOUT

LOW HALOGEN

THIS DRAWING IS A CONTROLLED DOCUMENT.		DWN FLORENCE TAN 30AUG2004		
DIMENSIONS: mm		CHK ERIC TNG 30MAY2012		
TOLERANCES UNLESS OTHERWISE SPECIFIED:		APVD SF LEONG 30MAY2012	NAME	
0 PLC ± -		PRODUCT SPEC	PLUG ASSEMBLY, FH 0.8 ON TAPING (EMBOSS) 0.5 BOSS LENGTH	
1 PLC ± 0.2		APPLICATION SPEC	RESTRICTED TO	
2 PLC ± 0.15		WEIGHT	SIZE	CAGE CODE
3 PLC ± 0.1		0	A2	00779
4 PLC ± -		CUSTOMER DRAWING	DRAWING NO. C=5177986	
ANGLES ± -		SCALE	1:1	
FINISH		SHEET		3 of 3
-		REV		F1

5177986