

PART NAME: KNOB

SCALE: 1:1

DATE: 11/10/10

DR. BY JAM



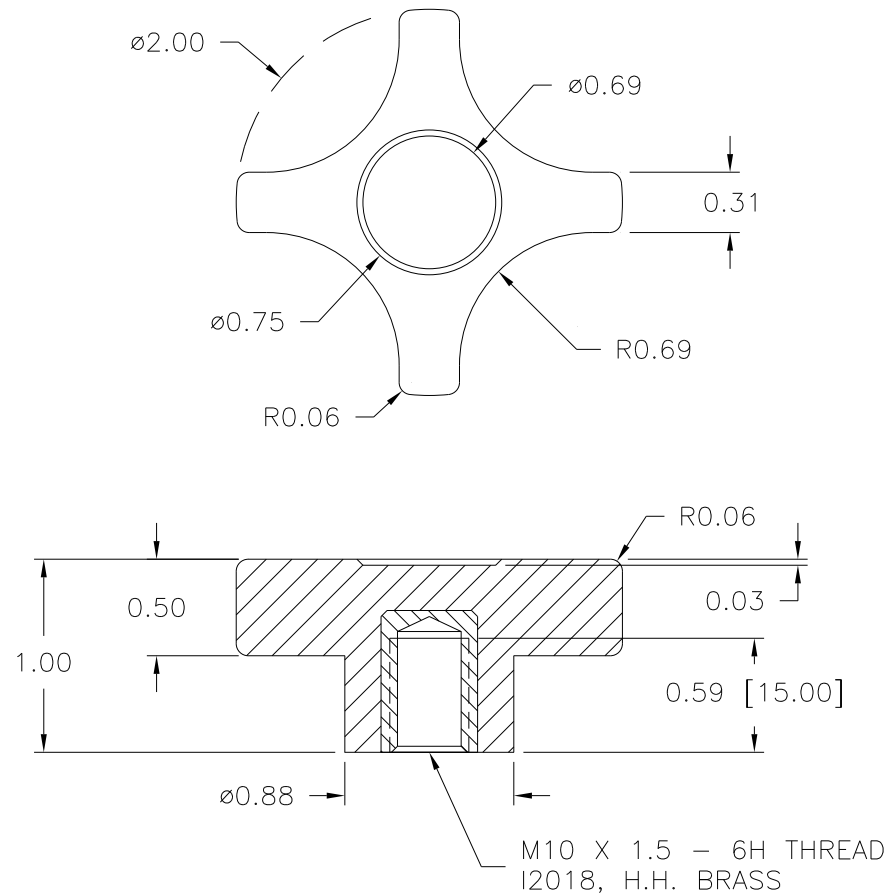
DESIGNERS & MANUFACTURERS
OF KNOBS, HANDLES, CASES &
CUSTOM PLASTIC COMPONENTS

THIS DRAWING IS THE PROPERTY OF DAVIES MOLDING COMPANY, IS SUBMITTED SOLELY AS A DESIGN OR ENGINEERING PROJECT.
WE ACCEPT NO RESPONSIBILITY WHATSOEVER FOR THE PRACTICAL APPLICATION OF THE PIECES MADE TO THIS DESIGN.

P/N 2830AF

M^{NO.} 2890-2830

CAVITY	2830
PLUNGER	2830
PLUNGER PIN	2830
OUTER PIN	3000-F
INNER PIN	2830AF
LANDING BAR	.472
PIN PLATE SHIM	.498
SHIM	.018
INSERT	I2018
CAVITY KEY	1/8x1/4x1 1/8
PLUNGER KEY	1/8x1/4x1 1/8



MATERIAL: #4311 PLENCO PHENOLIC (B41)
COLOR: BLACK

TOLERANCES: UNLESS OTHERWISE SPECIFIED	DO NOT SCALE DRAWING			
DECIMALS: X.XXX \pm .005 X.XX \pm .015	MM: X.XX \pm 0.15MM X.X \pm 0.4MM	-	WAS SK2830-86	JAM 11/10/10
FRACTIONS \pm 1/64	ANG. \pm 1°	CHANGES		