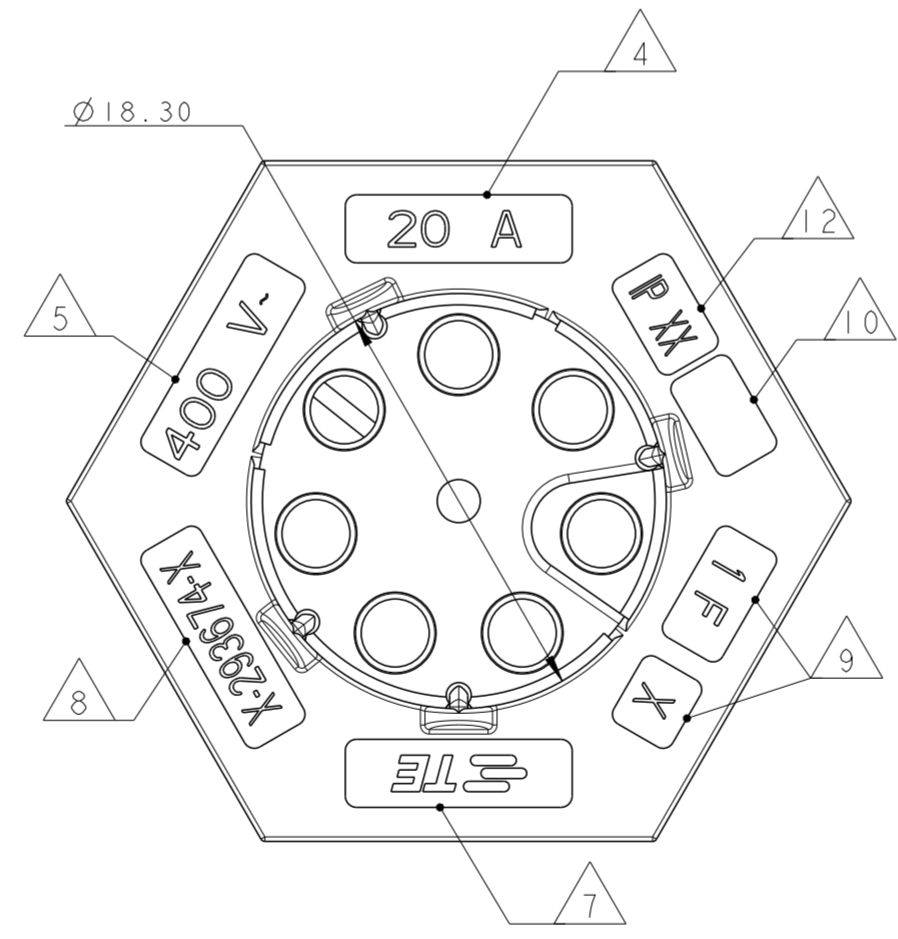
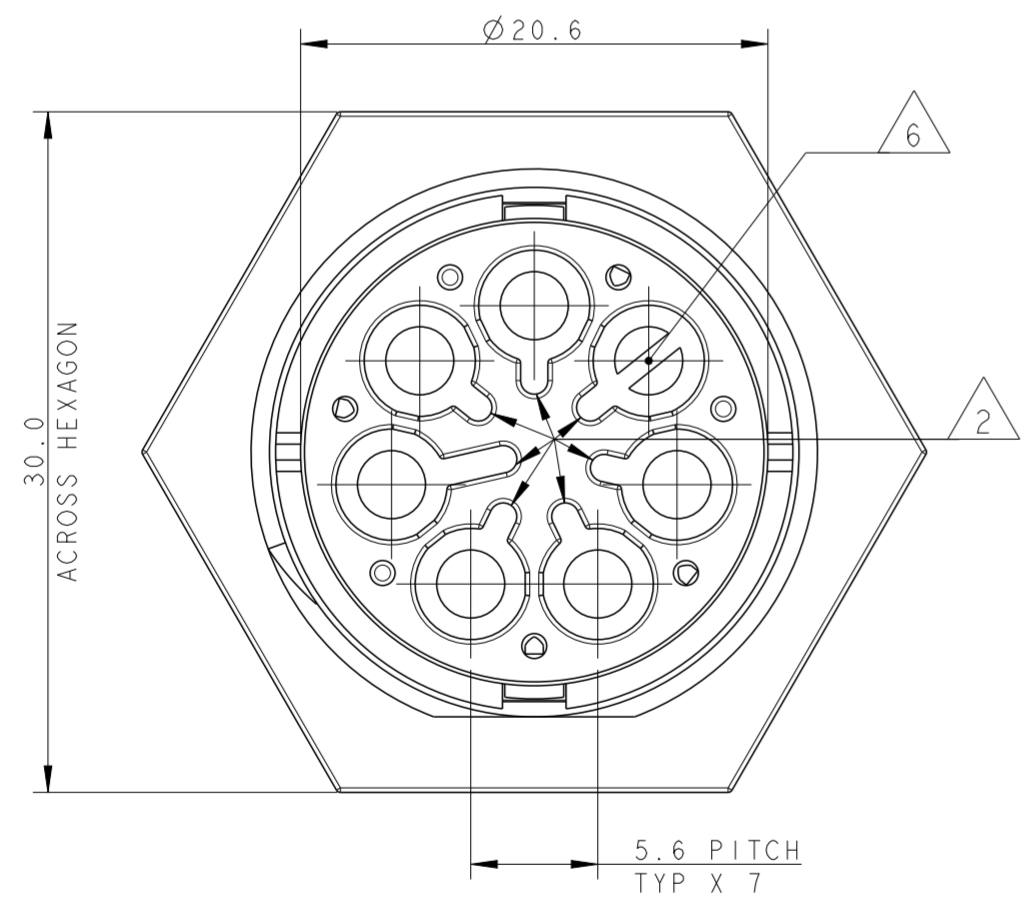


THIS DRAWING IS UNPUBLISHED. RELEASED FOR PUBLICATION 2011
 © COPYRIGHT 2011 BY - ALL RIGHTS RESERVED.


LOC	DIST	REVISIONS					
		P	LTR	DESCRIPTION	DATE	DWN	APVD
		6		UPDATED	23JUL2012	MZ	JC
		7		REVISED LATCH SHAPE	02AUG2013	KR	JC
		A		PARTS RELEASED FOR PRODUCTION	13NOV2013	KR	JC



NOTES:

- 1 MATERIAL: PA GF (NATURAL AND BLACK COLOUR)
 - 2 ALL POLARIZATION KEYS SHOWN FOR REF ONLY
 - 3 WAYS I.D.
 - 4 CURRENT RATING
 - 5 VOLTAGE RATING
 - 6 RIB CLOSING CAVITIES BY CHANGE OVER
 - 7 TE LOGO
 - 8 TE PART NUMBER
 - 9 DATA CODE AND CAVITY I.D.
 - 10 AREA FOR AGENCIES APPROVAL LOGO
- 11) SEE C-DRAWING 293682 (LOCKING CAP) TO GET IP 40
- 12) IP CODE



THIS DRAWING IS A CONTROLLED DOCUMENT.		DWN A. BERNARDI 31MAR2011	 TE Connectivity	
DIMENSIONS: mm		CHK M. ZUCCA 31MAR2011		
TOLERANCES UNLESS OTHERWISE SPECIFIED:		APVD G. TURCO 31MAR2011	NAME PIN HOUSING 6 POLES PANEL MOUNT M-LINE NECTOR	
0 PLC ± 1 PLC ±0.3 2 PLC ±0.20 3 PLC ± 4 PLC ±		PRODUCT SPEC 108-20324	SIZE 114-20169	
ANGLES FINISH ±3°		APPLICATION SPEC 114-20169	RESTRICTED TO	
MATERIAL		WEIGHT	SCALE 3:1 SHEET 1 OF 3 REV A	
		Customer Drawing	A200779C-293674	

THIS DRAWING IS UNPUBLISHED. RELEASED FOR PUBLICATION 2011
 © COPYRIGHT 2011 BY - ALL RIGHTS RESERVED.

LOC		DIST		REVISIONS			
P	LTR	DESCRIPTION	DATE	DWN	APVD		
-	-	SEE SHEET 1	-	-	-		

POLARIZATION TYPES

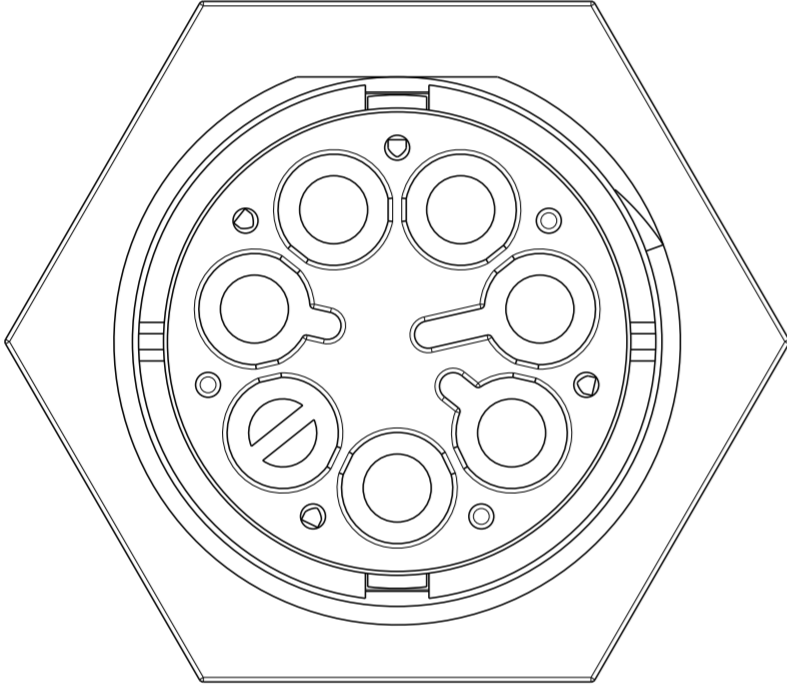
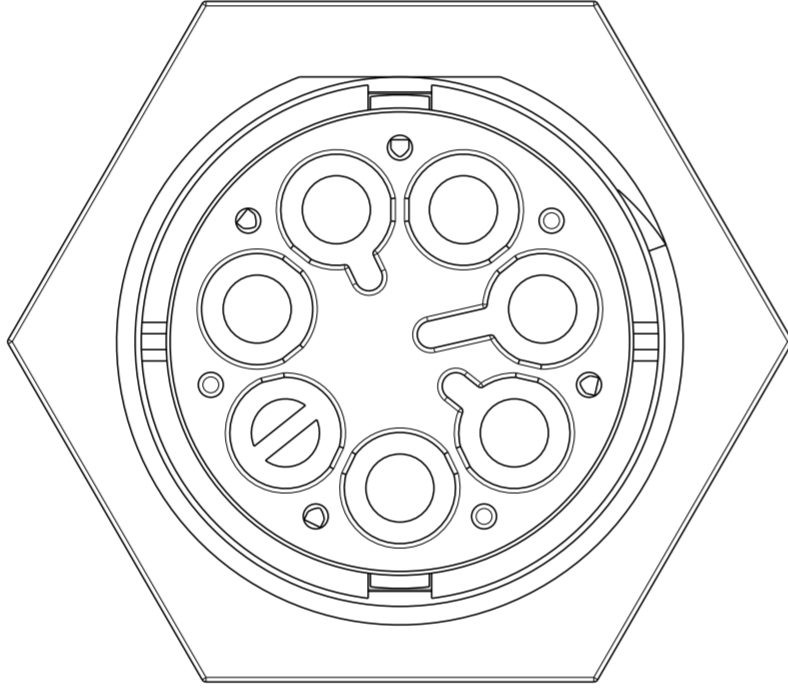
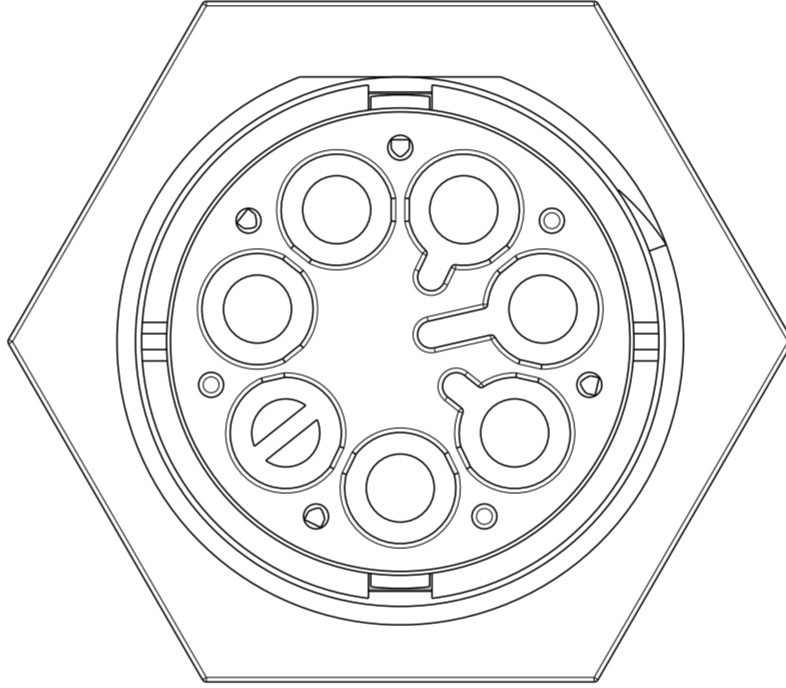

POLARIZATION TYPE "A"	POLARIZATION TYPE "B"	POLARIZATION TYPE "C"
		
PNs 0-293674-3 AND 1-293674-3	PNs 0-293674-4 AND 1-293674-4	PNs 0-293674-5 AND 1-293674-5

TABLE 1

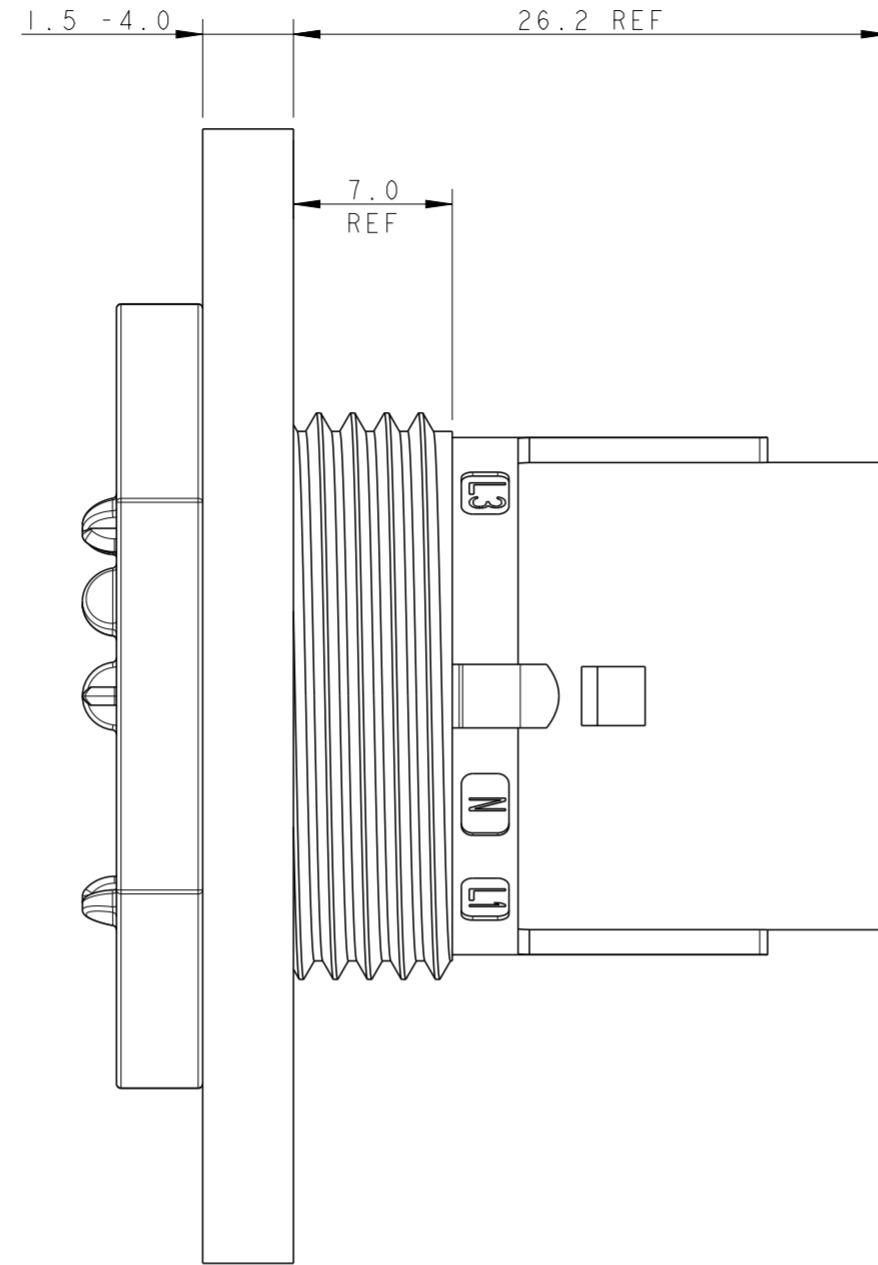
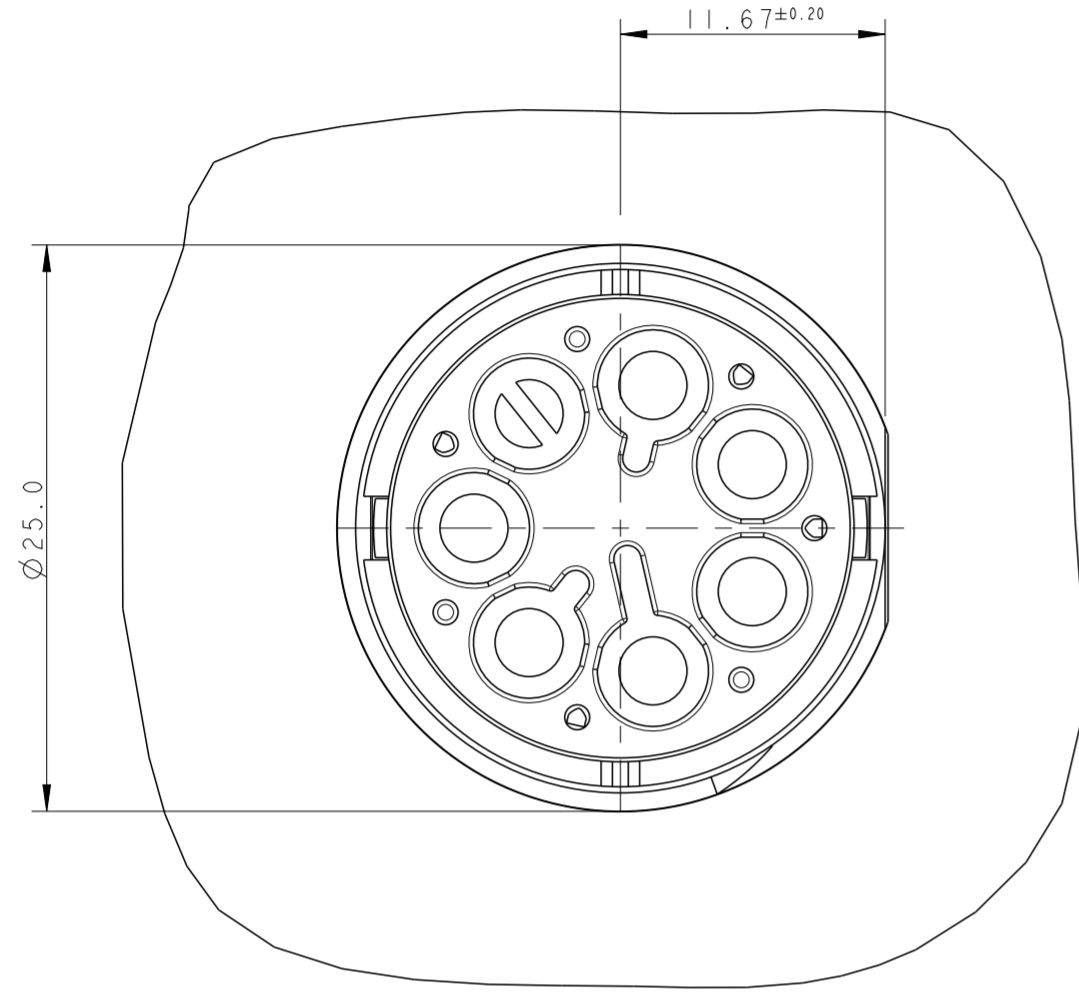
NOTE	POL. KEYING	COLOUR	DESCRIPTION	REV.	P/N
△	E	BLACK	PIN HSG 6 POLES PANEL MOUNT NECTOR* M-LINE	A	1-293674-5
△	D	BLACK	PIN HSG 6 POLES PANEL MOUNT NECTOR* M-LINE	A	1-293674-4
△	C	BLACK	PIN HSG 6 POLES PANEL MOUNT NECTOR* M-LINE	A	1-293674-3
△	E	NATURAL	PIN HSG 6 POLES PANEL MOUNT NECTOR* M-LINE	A	0-293674-5
△	D	NATURAL	PIN HSG 6 POLES PANEL MOUNT NECTOR* M-LINE	A	0-293674-4
△	C	NATURAL	PIN HSG 6 POLES PANEL MOUNT NECTOR* M-LINE	A	0-293674-3

THIS DRAWING IS A CONTROLLED DOCUMENT.		DWN A. BERNARDI 31MAR2011	 TE Connectivity	
DIMENSIONS: mm		CHK M. ZUCCA 31MAR2011		
TOLERANCES UNLESS OTHERWISE SPECIFIED:		APVD G. TURCO 31MAR2011	NAME PIN HOUSING 6 POLES PANEL MOUNT M-LINE NECTOR	
0 PLC ± 1 PLC ±0.3 2 PLC ±0.20 3 PLC ± 4 PLC ± ANGLES ±3° FINISH		PRODUCT SPEC 108-20324	RESTRICTED TO	
MATERIAL		APPLICATION SPEC 114-20169	SIZE A200779	CAGE CODE C-293674
-		WEIGHT -	SCALE 3:1	SHEET 2 OF 3
-		Customer Drawing	REV A	

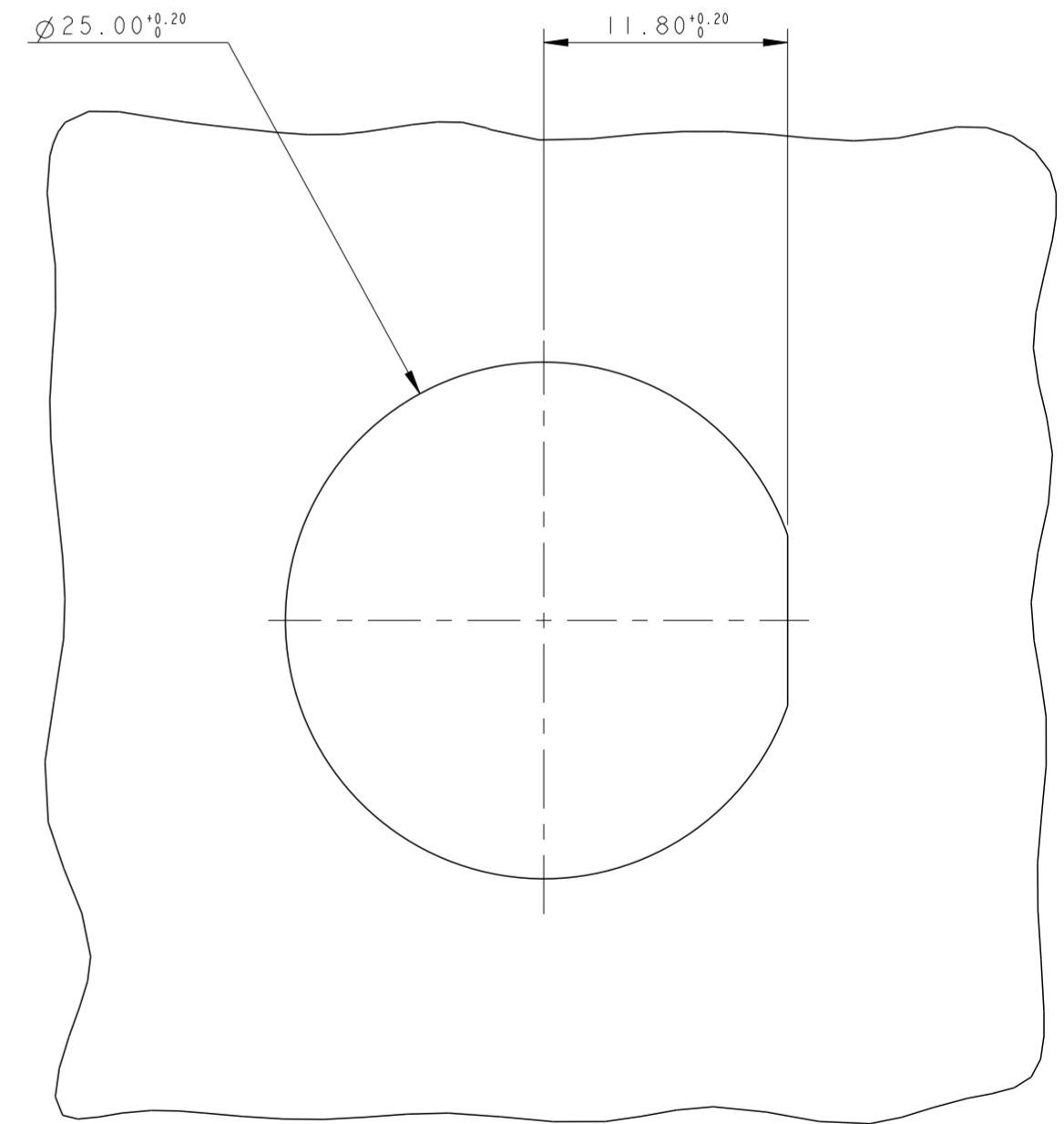
THIS DRAWING IS UNPUBLISHED. RELEASED FOR PUBLICATION 2011
 © COPYRIGHT 2011 BY - ALL RIGHTS RESERVED.

LOC		DIST		REVISIONS			
P	LTR	DESCRIPTION	DATE	DWN	APVD		
-	-	SEE SHEET 1	-	-	-		

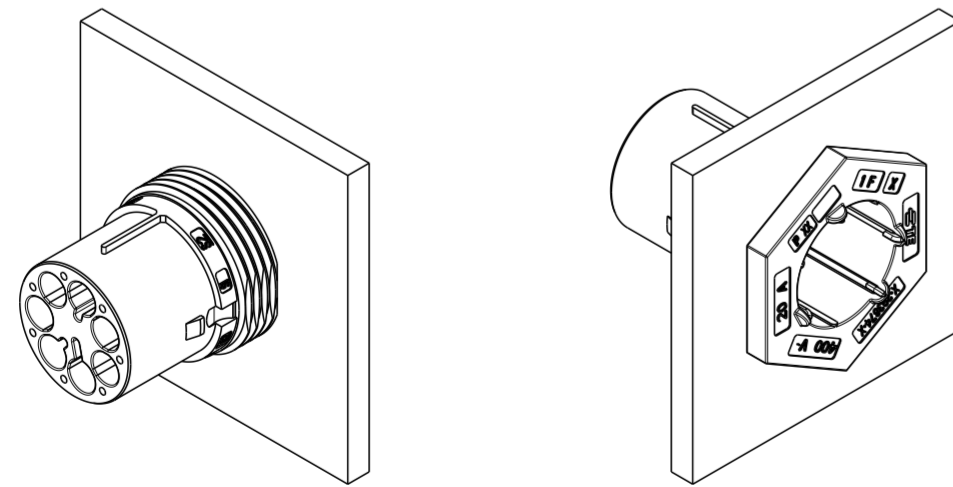
PN 293674-3 AS SHOWN



PANEL/WALL SUGGESTED LAYOUT



3D VIEWS FOR REFERENCE ONLY
 PN 293674-3 AS SHOWN



SCALE 1:1

THIS DRAWING IS A CONTROLLED DOCUMENT.		DWN A. BERNARDI 31MAR2011	TE Connectivity	
DIMENSIONS: mm		CHK M. ZUCCA 31MAR2011		
TOLERANCES UNLESS OTHERWISE SPECIFIED:		APVD G. TURCO 31MAR2011	NAME PIN HOUSING 6 POLES PANEL MOUNT M-LINE NECTOR	
0 PLC ±		PRODUCT SPEC 108-20324	RESTRICTED TO	
1 PLC ±0.3		APPLICATION SPEC 114-20169	SIZE A200779	CAGE CODE C-293674
2 PLC ±0.20		WEIGHT -	SCALE 3:1	SHEET 3 OF 3
3 PLC ±		MATERIAL -	REV A	
4 PLC ±		Customer Drawing		
ANGLES ±3°				
FINISH				