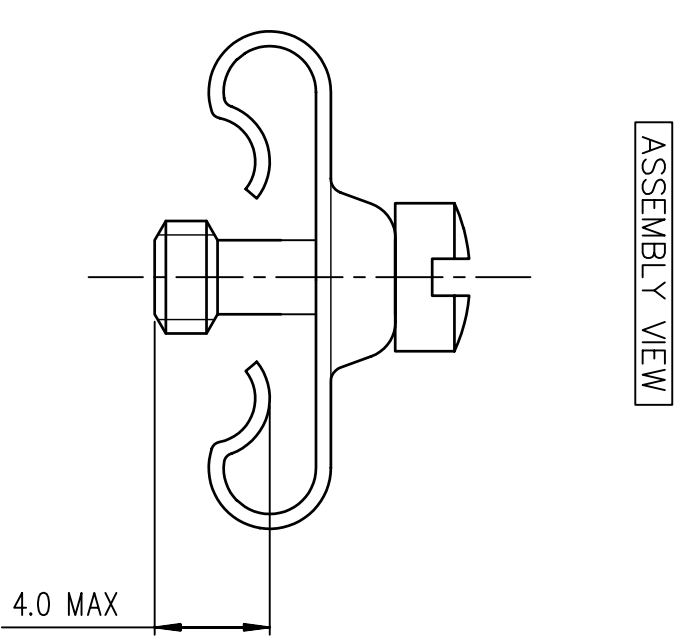
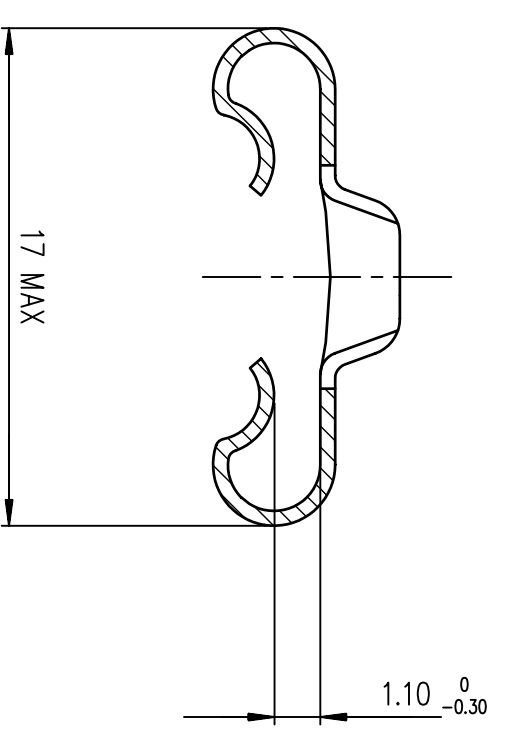
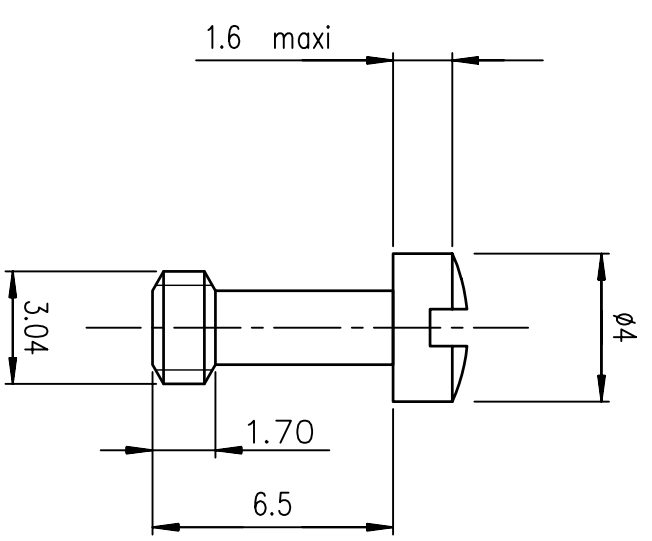


NOTES
 Pieces assembly
 Packaging : per 100 piece
 Material : steel
 Plating : yellow chromate cadmium
 Thread : UNC 4.40



Part Number
 863003A

www.fciconnect.com		surface	ISO 1302	tolerance std	ISO 406 ISO 1101	projection	mm
TOLERANCES UNLESS OTHERWISE SPECIFIED		ANGULAR	0.X	LINEAR	0.XX	±0.1	Scale
Product family		0.XX' ±2	0.XXX	±0.1	ECN	ELX-H-011686	5
Dr	JOUBERT	1998/03/27	Product family		D-SUB	Spec ref	-
Eng	M.PESSON	1998/03/27	Product family		D-SUB	Spec ref	-
Chr	ABHILASH	2011/01/25	Product family		D-SUB	Spec ref	-
Appr	SUDHIR	2011/01/25	Product family		D-SUB	Spec ref	-
rev	ecn no	dr	date				
H	ELX-H-011686	PK	2012/05/21				
B	LS06-0101	MPE	2006/06/27				
C	LS07-0001	MPE	2007/01/02				
D	LS09-0006	PCR	2009/01/08				
E	I11-0022	AMR	2011/01/25				
F	I11-0165	PK	2011/10/05				
G	ELX-H-011683	PK	2012/05/09				

FCI MALE SCEW LOCKS
 SHELL 50 D SUB ACCESSORIES
 C01-8655-0710
 CUSTOMER sheet 1 of 1