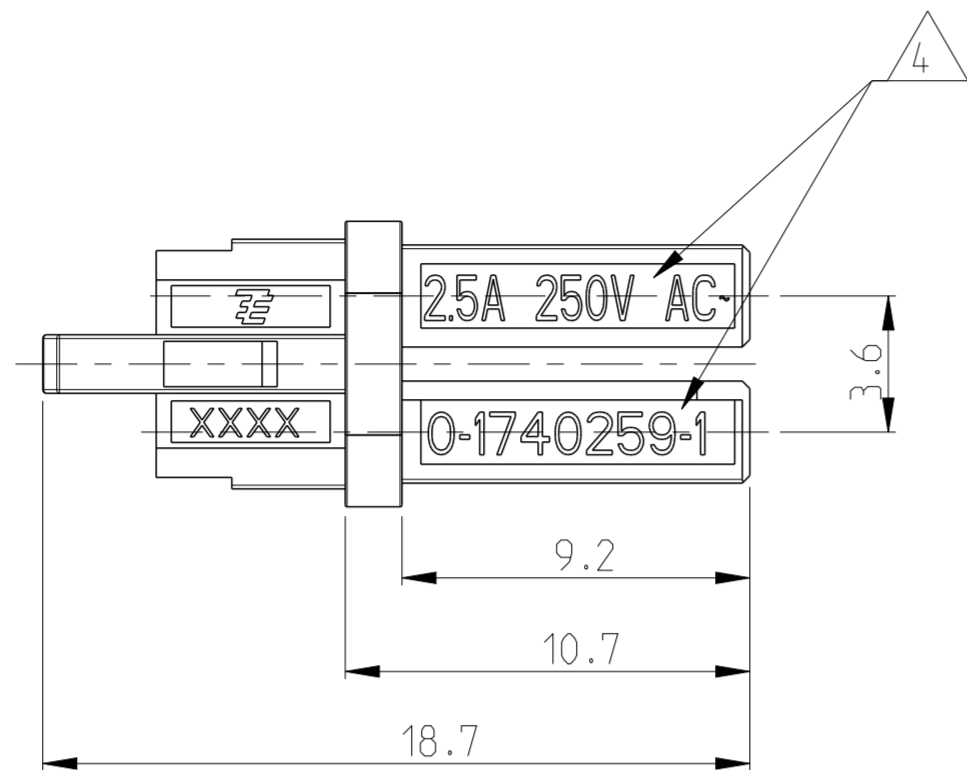


THIS DRAWING IS UNPUBLISHED. RELEASED FOR PUBLICATION 2005  
 © COPYRIGHT 2005 Tyco Electronics AMP GmbH ALL RIGHTS RESERVED.

LOC	DIST	REVISIONS					
		P	LTR	DESCRIPTION	DATE	DWN	APVD
A1	-	G		REVISED PER ECR-16-002347	22FEB2016	RS	JL
		H		ECR-16-003641	11MAY2016	RS	JL
		J		ECR-16-017348	24FEB2017	RK	JL
		J1		ADDED LV-2 PN -3 AND -4	15OCT2018	MZ	MZ



HIGH-VOLTAGE

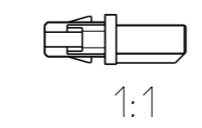
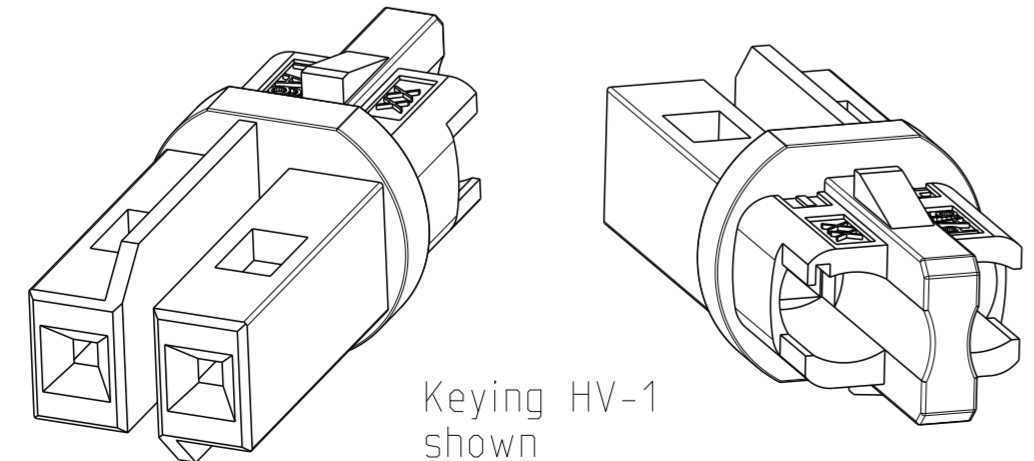
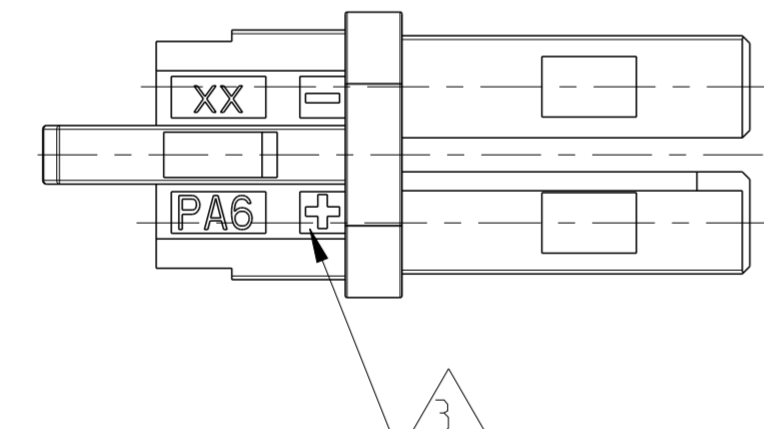
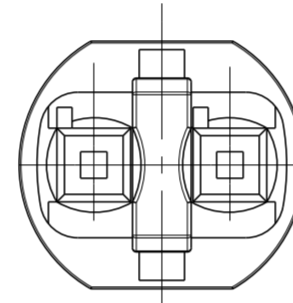
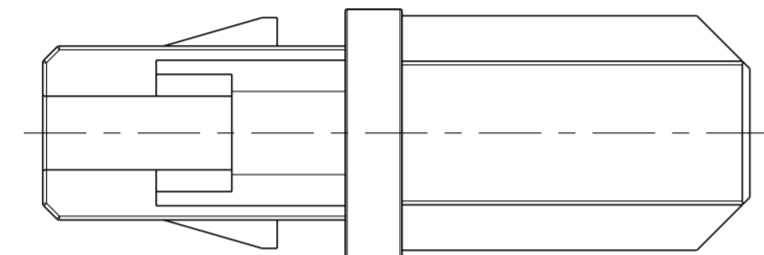
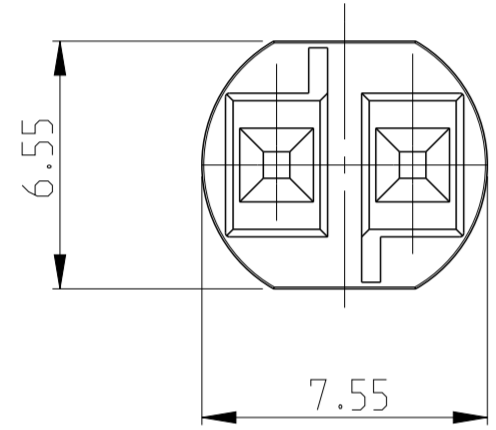
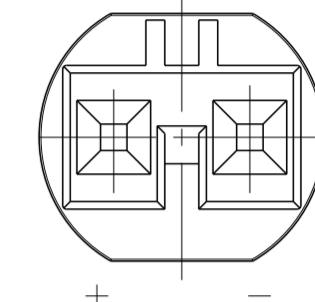
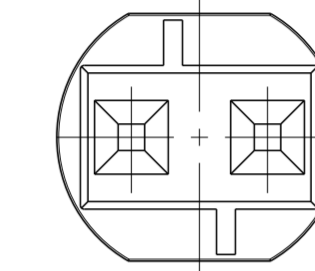
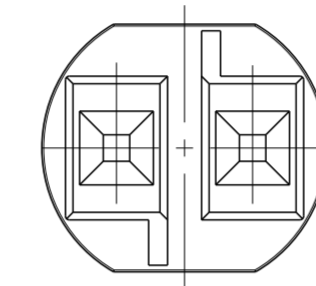
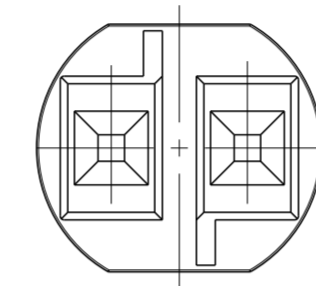
LOW VOLTAGE

Keying HV-1

Keying HV-2

Keying LV-1

Keying LV-2



Remarks:

1. cavities designed for MQS socket contact PN 1740336-x
2. Counterpart is Outlet PN 1740262-x and corresponding products of the MiniHVL family

- 3 Polarities marking +/- permanent / usable for DC version
- 4 PN specific marking
- 5 OBSOLETE
- 6 PRELIMINARY

6	LV-2	LOW-VOLTAGE 125VAC/VDC	125VAC/VDC	NATURAL/WHITE	0-1740449-4
6	LV-2	LOW-VOLTAGE 125VAC/VDC	125VAC/VDC	BLACK (ANTHRACITE)	0-1740449-3
	LV-2	LOW-VOLTAGE 125VAC/VDC	125VAC/VDC	YELLOW	0-1740449-2
	LV-1	LOW-VOLTAGE 125VAC/VDC	125VAC/VDC	LIGHT GREY	0-1740449-1
5	HV-3	HIGH-VOLTAGE 125 V AC	6A/125V AC~	BLUE	0-1740259-6
	HV-2	Switch	max. 7A	RED	0-1740259-5
	HV-1	HIGH-VOLTAGE 250V AC	2.5A/250V AC~	BLACK (ANTHRACITE)	0-1740259-2
	HV-1	HIGH-VOLTAGE 250V AC	2.5A/250V AC~	NATURAL/WHITE	0-1740259-1
	Keying	REMARKS	Marking 4	COLOR	PN

THIS DRAWING IS A CONTROLLED DOCUMENT.

DIMENSIONS: mm	TOLERANCES UNLESS OTHERWISE SPECIFIED:	DWN H. HATZMANN 08FEB2005	 TE Connectivity
		CHK DEENLOCH 08FEB2005	
		APVD BARTOSCH 08FEB2005	
		PRODUCT SPEC 108-94018	
MATERIAL PA 6	FINISH	APPLICATION SPEC 114-18751	NAME NECTOR S CONNECTOR SYSTEM PLUG
		WEIGHT 0.4 g	SIZE A2
		CUSTOMER DRAWING	CAGE CODE 00779
			DRAWING NO C-1740259
			RESTRICTED TO -
			SCALE 5:1
			SHEET 1 OF 1
			REV J1