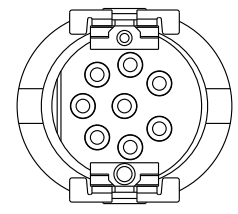
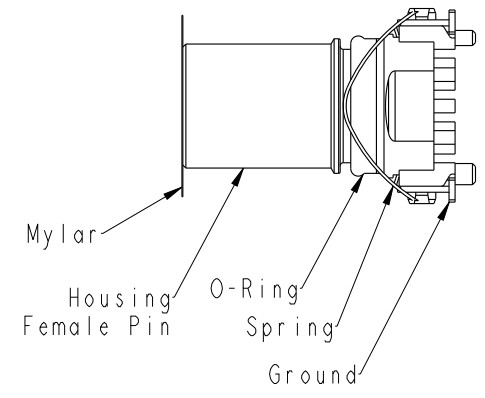
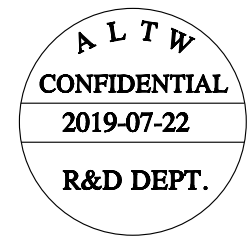


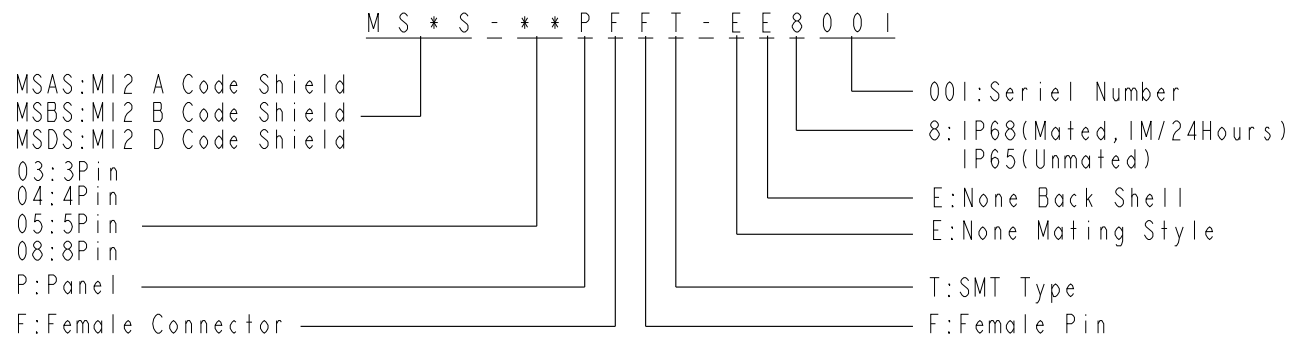
THIS DOCUMENT IS SUBJECT TO CHANGE WITHOUT NOTICE. IT IS CONFIDENTIAL AND A PROPERTY OF Amphenol LTW. DISCLOSURE TO THIRD PARTY HAS TO BE AUTHORIZED BY Amphenol LTW.

REV.	ECN NO.	DATE	SIGN	DESCRIPTION
A	Initial Release	2017/12/15	Arvin Chan	Change Rev.01 To Rev.A
B	LEN1840025~9	2018/03/19	Jason Yu	Modify Note & Update Box
C	CI91283	2019/07/22	JC Chen	Describe the correction



Note:

- \*  $\varnothing$  Important Dimension,
- Material Specification :
  - \* Housing : Thermoplastic
  - \* Female Pin : Copper Alloy, Gold Plated
  - \* Ground : Copper Alloy, Tin Plated
  - \* Spring : Stainless Steel
  - \* O-Ring : Silicone, Black
- Electrical Specification :
  - \* Contact Resistance :  $10m\Omega$  Max.
  - \* Insulation Resistance :  $100M\Omega$  min.
  - \* Dielectric Withstanding Voltage : 1KV
  - \* Rated Voltage : 3Pin&4Pin 250V d.c. or a.c.  
5Pin 60V d.c. or a.c.  
8Pin 30V d.c. or a.c.
  - \* Rated Current : 3Pin,4Pin&5Pin 4A  
8Pin 2A
- Mechanical Specification :
  - \* Durability : 1000 Cycles(IEC : 100 Cycles)
- Environmental Specification :
  - \* Temperature Range :  $-55\sim 125^{\circ}C$
  - \* Salt Spray : 48h
  - \* SMT Temperature & Time :  $260^{\circ}C/5Sec$
  - \* SMT Paste : 0.12mm min.



UNIT: mm		
TOLERANCE		
.X	$\pm 0.25$	
.XX	$\pm 0.1$	
.XXX	$\pm 0.05$	
ANGLES	$\pm 1^{\circ}$	

TITLE MI2 F CONN F PIN SMT TYPE			
SCALE 1:1	SIZE A4	SHEET 1 OF 4	
REV. C	WC-REV. A.2	$\varnothing$ : Inspection item	

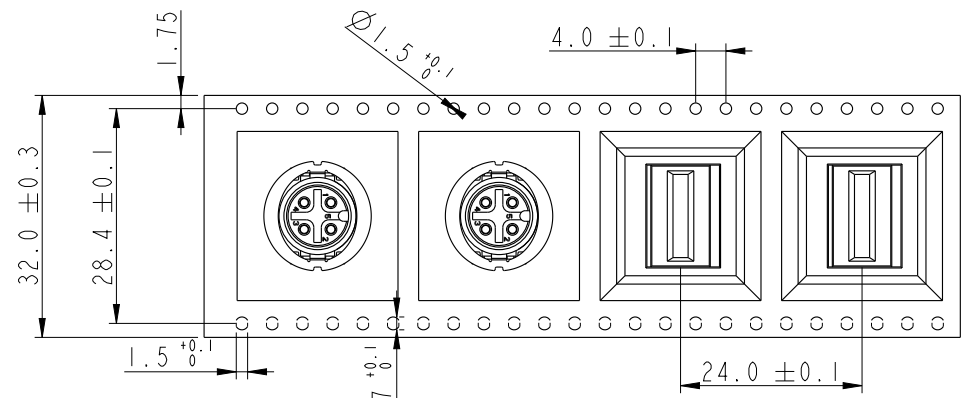
**Amphenol LTW**  
安費諾亮泰企業股份有限公司

ITEM NO MSXS-XXPFFT-EE8XXX	DRAWN BY JC Chen	DATE 2019/07/22
DWG NO MSXS-XXPFFT-EE8XXX	CHECKED BY Li Feng	DATE 2019/07/22
CUSTOMER ALTW	APPROVED BY Jerry	DATE 2019/07/22

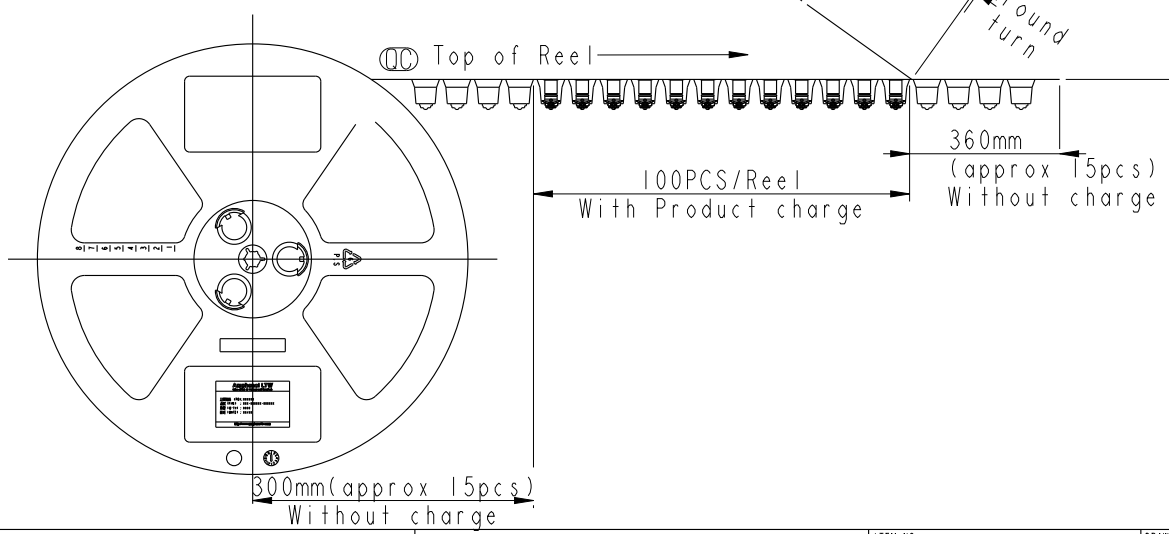
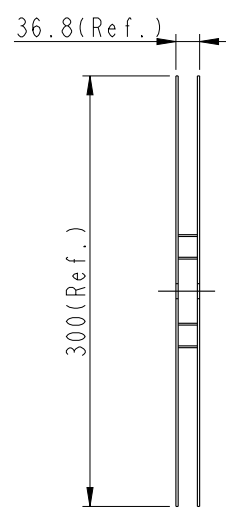
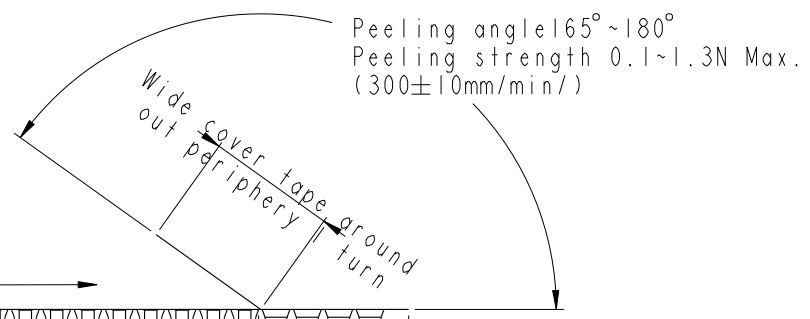
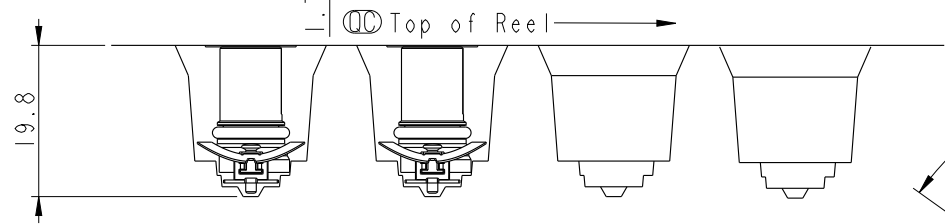


THIS DOCUMENT IS SUBJECT TO CHANGE WITHOUT NOTICE. IT IS CONFIDENTIAL AND A PROPERTY OF Amphenol LTW. DISCLOSURE TO THIRD PARTY HAS TO BE AUTHORIZED BY Amphenol LTW.

**ALTW**  
**CONFIDENTIAL**  
 2019-07-22  
**R&D DEPT.**



NOTE:  
 (CC)\* Connector Orient follow Drawing



UNIT: mm		
TOLERANCE	.X	±0.25
	.XX	±0.1
	.XXX	±0.05
ANGLES		±1°

TITLE M12 F CONN F PIN SMT TYPE			
SCALE	1:1	SIZE	A4
SHEET	3	OF	4
REV.	C	WC-REV.	.0
(CC): Inspection item			

**Amphenol LTW**  
 安費諾亮泰企業股份有限公司

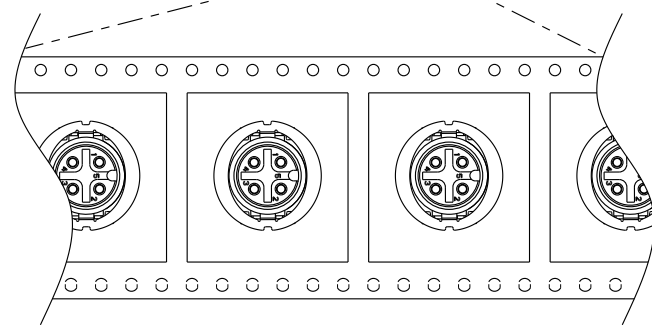
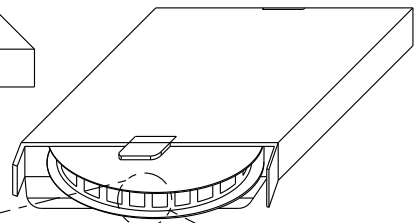
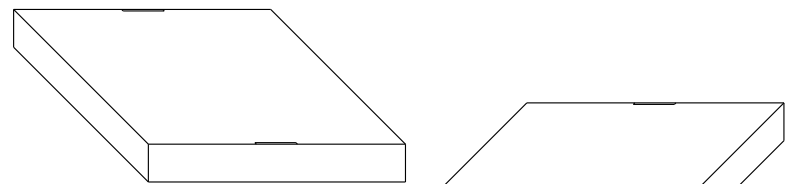
ITEM NO	MSXS-XXPFFT-EE8XXX
DWG NO	MSXS-XXPFFT-EE8XXX
CUSTOMER	ALTW

DRAWN BY	JC Chen
CHECKED BY	Li Feng
APPROVED BY	Jerry

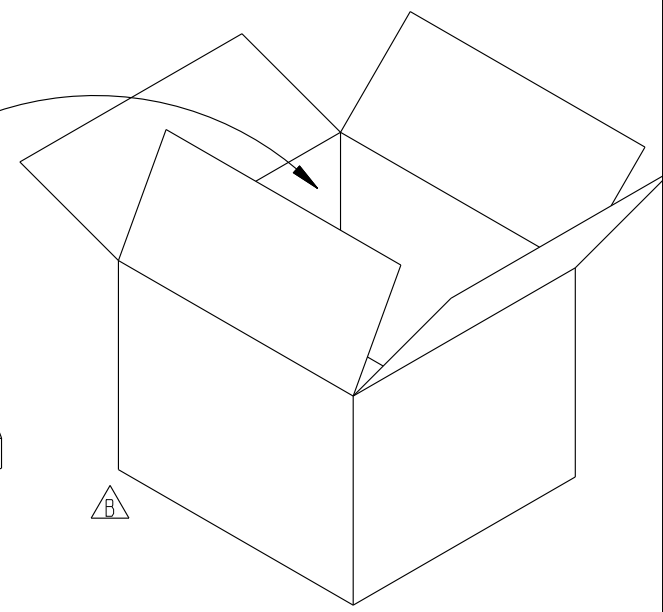
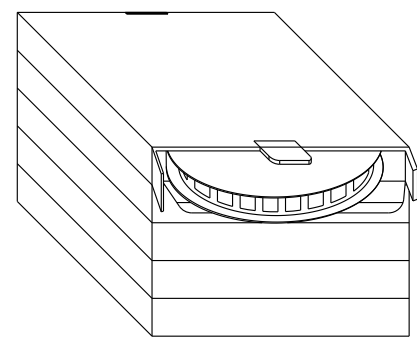
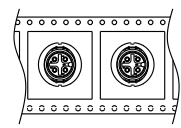
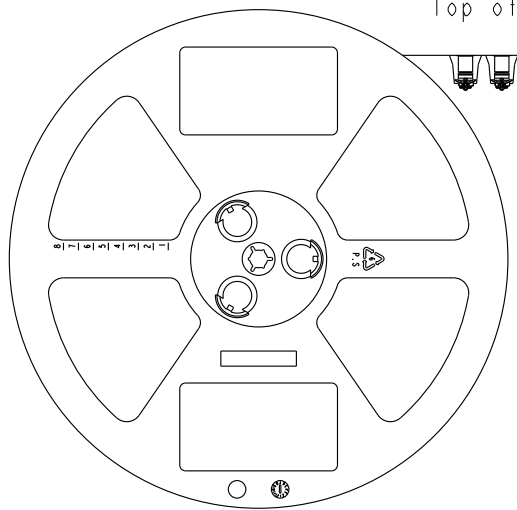
DATE	2019/07/22
DATE	2019/07/22
DATE	2019/07/22

THIS DOCUMENT IS SUBJECT TO CHANGE WITHOUT NOTICE. IT IS CONFIDENTIAL AND A PROPERTY OF AMPHENOL LTW. DISCLOSURE TO THIRD PARTY HAS TO BE AUTHORIZED BY AMPHENOL LTW.

**ALTW**  
**CONFIDENTIAL**  
**2019-07-22**  
**R&D DEPT.**



Top of Reel →



Note:  
 100 PCS(Connector)/Tape&Reel Put in a Box  
 5PCS(Max.) Box Put in a Carton

UNIT: mm	
TOLERANCE	
.X	±0.25
.XX	±0.1
.XXX	±0.05
ANGLES	±1°

TITLE MI2 F CONN F PIN SMT TYPE			
SCALE	SIZE	SHEET	OF
1:1	A4	4	4
REV.	WC-REV.	QC: Inspection item	
C	.0		

**Amphenol LTW**  
**安費諾亮泰企業股份有限公司**

ITEM NO	DRAWN BY	DATE
MSXS-XXPFFT-EE8XXX	JC Chen	2019/07/22
DWG NO	CHECKED BY	DATE
MSXS-XXPFFT-EE8XXX	Li Feng	2019/07/22
CUSTOMER	APPROVED BY	DATE
ALTW	Jerry	2019/07/22

DATE	2019/07/22
DATE	2019/07/22
DATE	2019/07/22