



Feature -

- 5 direction navigation cap
- panel mount and PCB module installation
- LED illumination

Application -

- consumer products
- computer products
- instrumentation
- communication equipments
- home appliances

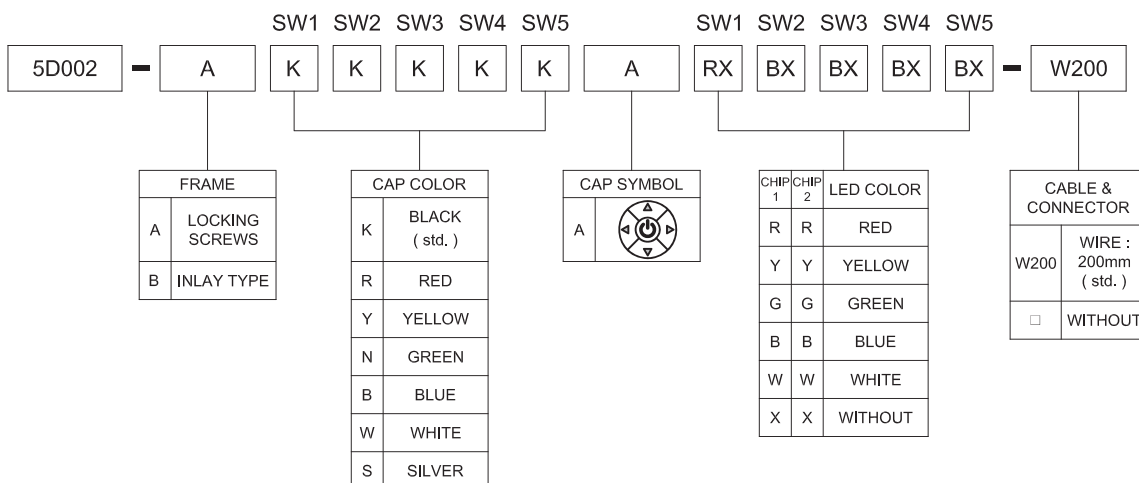
► **SPECIFICATIONS**

SWITCH SPECIFICATIONS	
POLE - POSITION	1P1T , with LED
CONTACT RATING	24 V DC , 50 mA
CONTACT RESISTANCE	50 mΩ MAX. 1.5 V DC ; 100 mA , by Method of Voltage DROP
INSULATION RESISTANCE	100 MΩ MIN. 500 V DC
DIELECTRIC STRENGTH	Breakdown is not Allowable ; 500 V AC for 1 Minute
OPERATING FORCE	300 ± 100 gf
OPERATING LIFE	1,500,000 cycles
OPERATING TEMPERATURE RANGE	-30°C ~ 85°C
TOTAL TRAVEL	1.0 ± 0.3 mm

LED SPECIFICATIONS		Unit	Value / LED Color				
			Blue	Green	Red	White	Yellow
ATTENTION LEDs are Electrostatic Sensitive devices	(+) ○ — (○) (-)						
	FORWARD CURRENT	If	mA	30	30	15	30
REVERSE VOLTAGE	Vr	V	5.0	5.0	5.0	5.0	5.0
REVERSE CURRENT	Ir	μA	10	10	10	10	10
FORWARD VOLTAGE@20mA	Vf	V	3.5-4.0	1.7-2.8	1.7-2.8	3.3-3.8	1.7-2.8
LUMINOUS INTENSITY@10mA	Iv	mcd	@20mA 180-245	24-40	4.0-7.0	@20mA 145	18-30

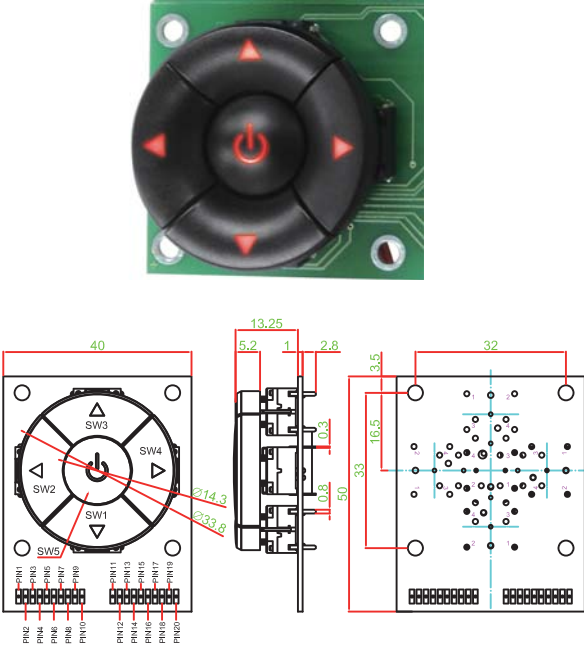
■ Physical and electrical information of LED will be provided upon customer's request on switches .

► **HOW TO ORDER**



▶ FRAME TYPE OPTION

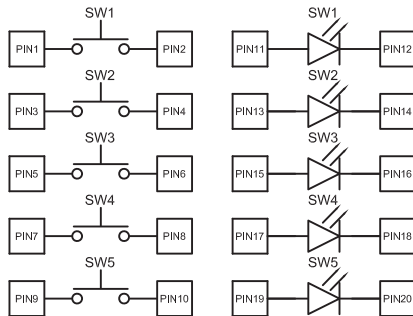
5D002-AKKKKKARXRXRXRXR



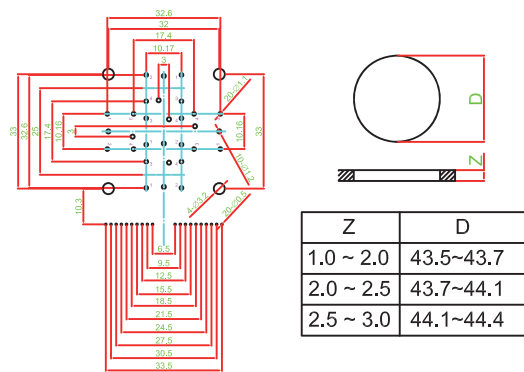
5D002-BKKKKKARXRXRXRXR



▶ CIRCUIT



▶ P.C.B LAYOUT & PANEL CUT OUT



▶ MATERIAL

- ACTUATOR - PA
- TERMINAL - BRASS SILVER PLATING
- FRAME - PA
- SPRING - STAINLESS STEEL
- HOUSING - PA
- PCB - FR4