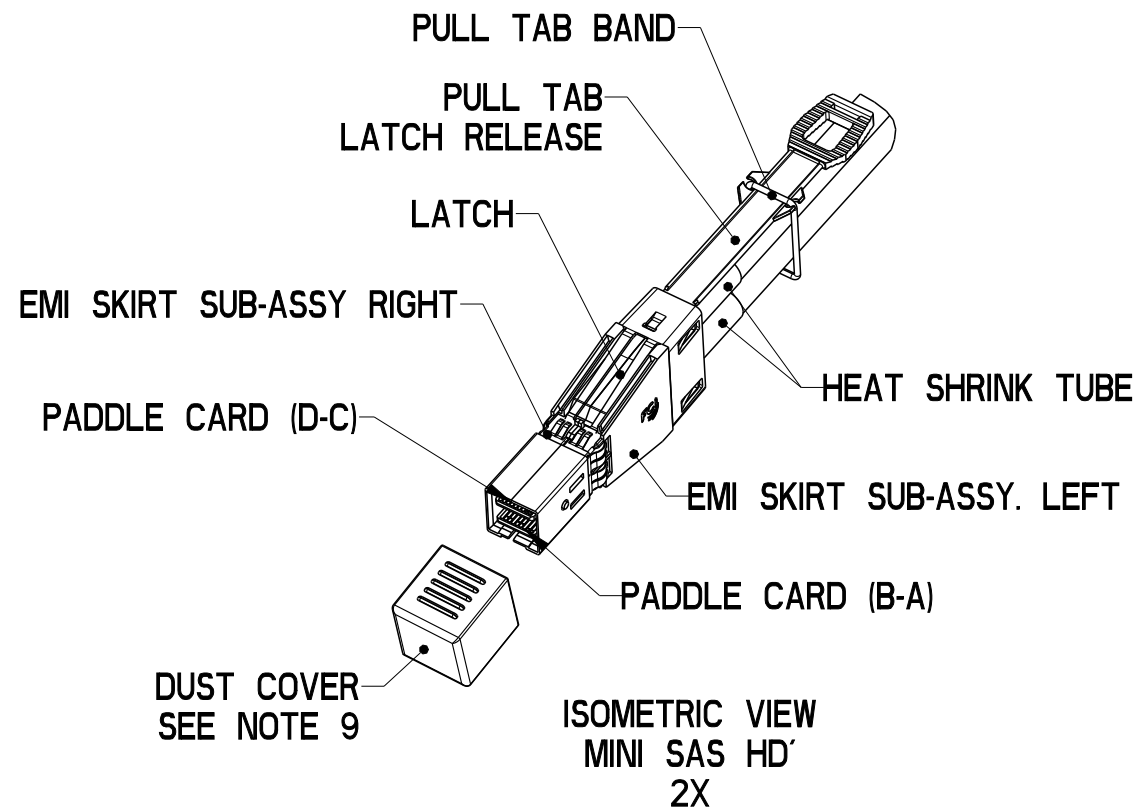
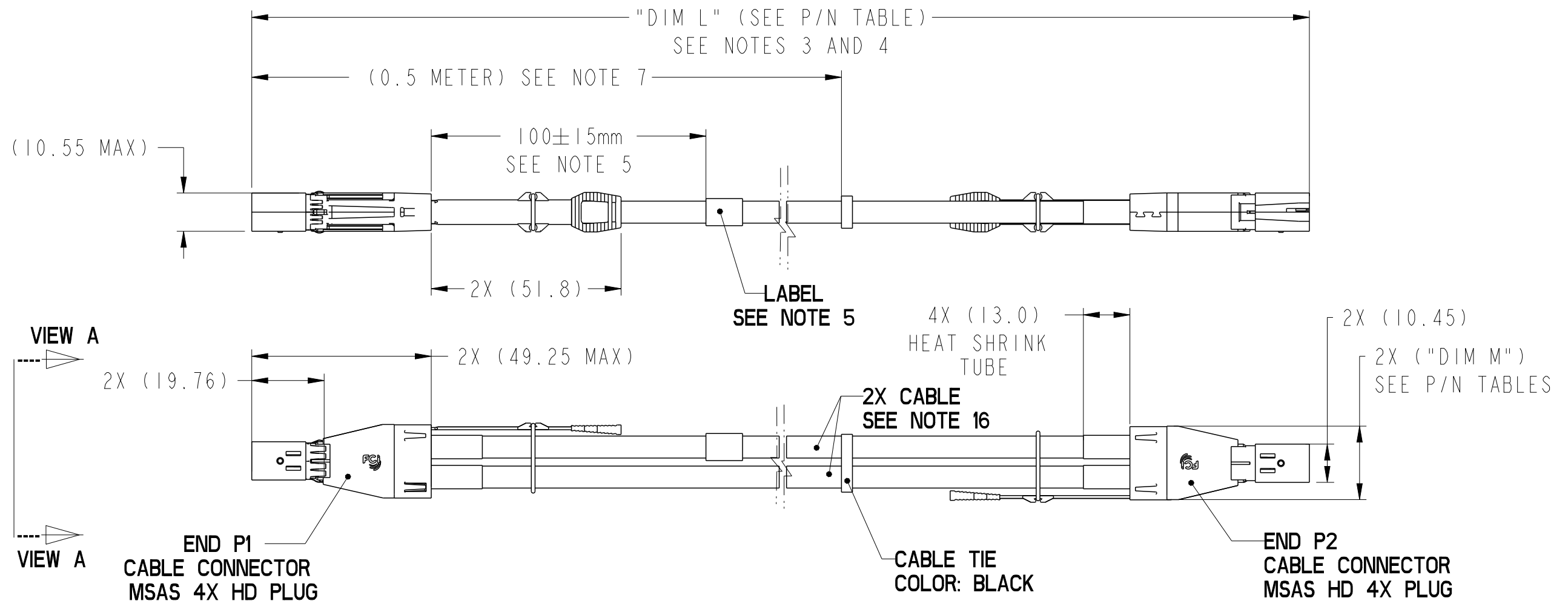


| PRODUCT NUMBER   | DESCRIPTION      | NOTES      |
|------------------|------------------|------------|
| 10112041-XXXXLF  | NON-HF           | SEE SHT. 3 |
| 10112041-XXXXHLF | HALOGEN FREE (H) | SEE SHT. 4 |



|             |                |            |                |    |                          |               |                        |     |
|-------------|----------------|------------|----------------|----|--------------------------|---------------|------------------------|-----|
| dr          | Deborah Ingram | 2010/05/07 | projection     | mm | size                     | A3            | scale                  | 1:2 |
| eng         | Tom Feng       | 2015/08/12 |                |    | ecn no                   | ELX-N-21649-1 |                        |     |
| chr         | -              | -          |                |    |                          | rel level     | Released               |     |
| appr        | Frank Mao      | 2015/08/12 | product family |    | C&A                      |               |                        |     |
| www.fci.com |                |            | title          |    | FINAL ASSEMBLY (PASSIVE) |               | rev                    |     |
|             |                |            | dwg no         |    | 10112041                 |               | D                      |     |
|             |                |            | cat. no.       |    | -                        |               | Product - Customer Drw |     |
|             |                |            | sheet          |    | 1 of 5                   |               |                        |     |

| PRODUCT NUMBER   | DESCRIPTION      | NOTES      |
|------------------|------------------|------------|
| 10112041-XXXXLF  | NON-HF           | SEE SHT. 3 |
| 10112041-XXXXHLF | HALOGEN FREE (H) | SEE SHT. 4 |



P1  
VIEW A  
SCALE 4:1

**LEGEND:**



HIGH-SPEED SERIAL  
DIFFERENTIAL PAIRS

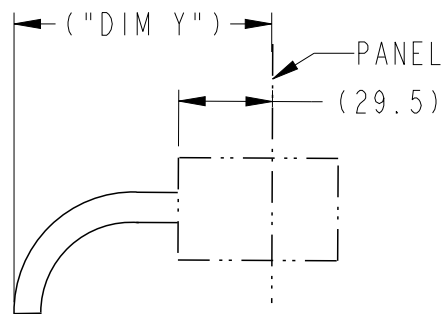


SIGNAL RETURN



POWER AND MANAGEMENT  
INTERFACE

| MINIMUM CABLE BEND TABLE |                 |                     |
|--------------------------|-----------------|---------------------|
| CABLE                    | ("DIM Y")<br>HF | ("DIM Y")<br>NON-HF |
| 24 AWG                   | 92.8            | 92.8                |
| 26 AWG                   | 87.5            | 85.1                |
| 28 AWG                   | 81.5            | 79.1                |
| 30 AWG                   | 77.9            | 74.3                |



PEND RADIUS  
TOP VIEW OF CONNECTOR

| WIRING LIST (SEE NOTE 6) |          |       |          |          |  |
|--------------------------|----------|-------|----------|----------|--|
| END P1                   |          |       | END P2   |          |  |
| POSITION                 | SYMBOL   |       | POSITION | SYMBOL   |  |
| D9                       | GROUND   | ----- | B9       | GROUND   |  |
| D8                       | Tx2-     | ⊖---▷ | B8       | Rx2-     |  |
| D7                       | Tx2+     | ⊕---▷ | B7       | Rx2+     |  |
| D6                       | GROUND   | ----- | B6       | GROUND   |  |
| D5                       | Tx0-     | ⊖---▷ | B5       | Rx0-     |  |
| D4                       | Tx0+     | ⊕---▷ | B4       | Rx0+     |  |
| D3                       | GROUND   | ----- | B3       | GROUND   |  |
| D2                       | Vman     | ◁ ▷   | B2       | ModPrsL  |  |
| D1                       | Vact     | ◁ ▷   | B1       | Vact     |  |
| C1                       | SCL      | ◁ ▷   | A1       | Reserved |  |
| C2                       | SDA      | ◁ ▷   | A2       | IntI     |  |
| C3                       | GROUND   | ----- | A3       | GROUND   |  |
| C4                       | Tx1+     | ⊕---▷ | A4       | Rx1+     |  |
| C5                       | Tx1-     | ⊖---▷ | A5       | Rx1-     |  |
| C6                       | GROUND   | ----- | A6       | GROUND   |  |
| C7                       | Tx3+     | ⊕---▷ | A7       | Rx3+     |  |
| C8                       | Tx3-     | ⊖---▷ | A8       | Rx3-     |  |
| C9                       | GROUND   | ----- | A9       | GROUND   |  |
| B9                       | GROUND   | ----- | D9       | GROUND   |  |
| B8                       | Rx2-     | ◁---⊖ | D8       | Tx2-     |  |
| B7                       | Rx2+     | ◁---⊕ | D7       | Tx2+     |  |
| B6                       | GROUND   | ----- | D6       | GROUND   |  |
| B5                       | Rx0-     | ◁---⊖ | D5       | Tx0-     |  |
| B4                       | Rx0+     | ◁---⊕ | D4       | Tx0+     |  |
| B3                       | GROUND   | ----- | D3       | GROUND   |  |
| B2                       | ModPrsL  | ◁ ▷   | D2       | Vman     |  |
| B1                       | Vact     | ◁ ▷   | D1       | Vact     |  |
| A1                       | Reserved | ◁ ▷   | C1       | SCL      |  |
| A2                       | IntL     | ◁ ▷   | C2       | SDA      |  |
| A3                       | GROUND   | ----- | C3       | GROUND   |  |
| A4                       | Rx1+     | ◁---⊕ | C4       | Tx1+     |  |
| A5                       | Rx1-     | ◁---⊖ | C5       | Tx1-     |  |
| A6                       | GROUND   | ----- | C6       | GROUND   |  |
| A7                       | Rx3+     | ◁---⊕ | C7       | Tx3+     |  |
| A8                       | Rx3-     | ◁---⊖ | C8       | Tx3-     |  |
| A9                       | GROUND   | ----- | C9       | GROUND   |  |

SHIELD-----▷ SHIELD

|             |                |            |                                 |     |        |                        |           |                 |
|-------------|----------------|------------|---------------------------------|-----|--------|------------------------|-----------|-----------------|
| dr          | Deborah Ingram | 2010/05/07 | projection                      | mm  | size   | A3                     | scale     | 1:2             |
| eng         | Tom Feng       | 2015/08/12 |                                 |     | ecn no | ELX-N-21649-1          | rel level | Released        |
| chr         | -              | -          |                                 |     |        |                        |           |                 |
| appr        | Frank Mao      | 2015/08/12 | product family                  | C&A |        |                        |           |                 |
|             |                |            | <b>FINAL ASSEMBLY (PASSIVE)</b> |     |        | dwg no<br>10112041     |           | rev<br><b>D</b> |
| www.fci.com |                |            | cat. no.                        |     |        | Product - Customer Drw |           |                 |

| PART NUMBER<br>(NON-HALOGEN FREE)<br>SEE NOTE 12 AND 16                        | "DIM L" LENGTH (Meters) | "DIM M"<br>(mm) | AWG |
|--|-------------------------|-----------------|-----|
| 10112041-2005LF  | 0.5                     | 17.3            | 30  |
| 10112041-2010LF  | 1.0                     | 17.3            | 30  |
| 10112041-2015LF  | 1.5                     | 17.3            | 30  |
| 10112041-2020LF  | 2.0                     | 17.3            | 30  |
| 10112041-2025LF  | 2.5                     | 17.3            | 30  |
| 10112041-2030LF  | 3.0                     | 17.3            | 30  |
| 10112041-2040LF  | 4.0                     | 17.3            | 30  |
| 10112041-3010LF  | 1.0                     | 17.3            | 28  |
| 10112041-3015LF  | 1.5                     | 17.3            | 28  |
| 10112041-3020LF  | 2.0                     | 17.3            | 28  |
| 10112041-3025LF  | 2.5                     | 17.3            | 28  |
| 10112041-3030LF  | 3.0                     | 17.3            | 28  |
| 10112041-3035LF  | 3.5                     | 17.3            | 28  |
| 10112041-3040LF  | 4.0                     | 17.3            | 28  |
| 10112041-3045LF  | 4.5                     | 17.3            | 28  |
| 10112041-3050LF  | 5.0                     | 17.3            | 28  |
| 10112041-3060LF  | 6.0                     | 17.3            | 28  |
| 10112041-3065LF  |                         |                 |     |
| ONLY FOR CUSTOMER SPECIAL<br>APPLIACATION, NOT STD OFFERING<br>FOR THIS LENGTH | 6.5                     | 17.3            | 28  |
| 10112041-4020LF  | 2.0                     | 20.1            | 26  |
| 10112041-4025LF  | 2.5                     | 20.1            | 26  |
| 10112041-4030LF  | 3.0                     | 20.1            | 26  |
| 10112041-4035LF  | 3.5                     | 20.1            | 26  |
| 10112041-4040LF  | 4.0                     | 20.1            | 26  |
| 10112041-4045LF  | 4.5                     | 20.1            | 26  |
| 10112041-4050LF  | 5.0                     | 20.1            | 26  |
| 10112041-4055LF  | 5.5                     | 20.1            | 26  |
| 10112041-4060LF  | 6.0                     | 20.1            | 26  |
| 10112041-4065LF  | 6.5                     | 20.1            | 26  |
| 10112041-4070LF  | 7.0                     | 20.1            | 26  |
| 10112041-4080LF  | 8.0                     | 20.1            | 26  |

| PART NUMBER<br>(NON- HALOGEN FREE)<br>SEE NOTE 12 AND 16 | "DIM L" LENGTH (Meters) | "DIM M"<br>(mm) | AWG |
|--|-------------------------|-----------------|-----|
| 10112041-5030LF  | 3.0                     | 20.1            | 24  |
| 10112041-5035LF  | 3.5                     | 20.1            | 24  |
| 10112041-5040LF  | 4.0                     | 20.1            | 24  |
| 10112041-5045LF  | 4.5                     | 20.1            | 24  |
| 10112041-5050LF  | 5.0                     | 20.1            | 24  |
| 10112041-5055LF  | 5.5                     | 20.1            | 24  |
| 10112041-5060LF  | 6.0                     | 20.1            | 24  |
| 10112041-5065LF  | 6.5                     | 20.1            | 24  |
| 10112041-5070LF  | 7.0                     | 20.1            | 24  |
| 10112041-5075LF  | 7.5                     | 20.1            | 24  |
| 10112041-5080LF  | 8.0                     | 20.1            | 24  |
| 10112041-5085LF  | 8.5                     | 20.1            | 24  |
| 10112041-5090LF  | 9.0                     | 20.1            | 24  |
| 10112041-5095LF  | 9.5                     | 20.1            | 24  |
| 10112041-5100LF  | 10.0                    | 20.1            | 24  |

**NON-HALOGEN FREE CABLE ASSEMBLY PART NUMBERS**



Copyright FCI.

|             |                |  |   |  |                        |                 |       |     |
|-------------|----------------|--|---|--|------------------------|-----------------|-------|-----|
| dr          | Deborah Ingram | 2010/05/07   |   |  | size                   | A3              | scale | 1:2 |
| eng         | Tom Feng       | 2015/08/12   |   |  | ecn no                 | ELX-N-21649-1   |       |     |
| chr         | -              | -  |   |  | rel level              | Released        |       |     |
| appr        | Frank Mao      | 2015/08/12   |   |  | product family         | C&A             |       |     |
|             |                | <b>FINAL ASSEMBLY (PASSIVE)</b><br>MSAS HD 4X ASSEMBLY (3Gb/s - 6Gb/s) |   |  | dwg no<br>10112041     | rev<br><b>D</b> |       |     |
| www.fci.com |                | cat. no.   | - |  | Product - Customer Drw | sheet 3 of 5    |       |     |

| PART NUMBER<br>(HALOGEN FREE)<br>SEE NOTE 11 AND 16 | "DIM L" LENGTH (Meters) | "DIM M"<br>(mm) | AWG |
|---|-------------------------|-----------------|-----|
| 10112041-2005HLF                                    | 0.5                     | 17.3            | 30  |
| 10112041-2010HLF                                    | 1.0                     | 17.3            | 30  |
| 10112041-2015HLF                                    | 1.5                     | 17.3            | 30  |
| 10112041-2020HLF                                    | 2.0                     | 17.3            | 30  |
| 10112041-2025HLF                                    | 2.5                     | 17.3            | 30  |
| 10112041-2030HLF                                    | 3.0                     | 17.3            | 30  |
| 10112041-2040HLF                                    | 4.0                     | 17.3            | 30  |
| 10112041-3010HLF                                    | 1.0                     | 17.3            | 28  |
| 10112041-3015HLF                                    | 1.5                     | 17.3            | 28  |
| 10112041-3020HLF                                    | 2.0                     | 17.3            | 28  |
| 10112041-3025HLF                                    | 2.5                     | 17.3            | 28  |
| 10112041-3030HLF                                    | 3.0                     | 17.3            | 28  |
| 10112041-3035HLF                                    | 3.5                     | 17.3            | 28  |
| 10112041-3040HLF                                    | 4.0                     | 17.3            | 28  |
| 10112041-3045HLF                                    | 4.5                     | 17.3            | 28  |
| 10112041-3050HLF                                    | 5.0                     | 17.3            | 28  |
| 10112041-3060HLF                                    | 6.0                     | 17.3            | 28  |
| 10112041-4020HLF                                    | 2.0                     | 20.1            | 26  |
| 10112041-4025HLF                                    | 2.5                     | 20.1            | 26  |
| 10112041-4030HLF                                    | 3.0                     | 20.1            | 26  |
| 10112041-4035HLF                                    | 3.5                     | 20.1            | 26  |
| 10112041-4040HLF                                    | 4.0                     | 20.1            | 26  |
| 10112041-4045HLF                                    | 4.5                     | 20.1            | 26  |
| 10112041-4050HLF                                    | 5.0                     | 20.1            | 26  |
| 10112041-4055HLF                                    | 5.5                     | 20.1            | 26  |
| 10112041-4060HLF                                    | 6.0                     | 20.1            | 26  |
| 10112041-4065HLF                                    | 6.5                     | 20.1            | 26  |
| 10112041-4070HLF                                    | 7.0                     | 20.1            | 26  |
| 10112041-4080HLF                                    | 8.0                     | 20.1            | 26  |

| PART NUMBER<br>(HALOGEN FREE)<br>SEE NOTE 11 AND 16 | "DIM L" LENGTH (Meters) | "DIM M"<br>(mm) | AWG |
|---|-------------------------|-----------------|-----|
| 10112041-5030HLF                                    | 3.0                     | 20.1            | 24  |
| 10112041-5035HLF                                    | 3.5                     | 20.1            | 24  |
| 10112041-5040HLF                                    | 4.0                     | 20.1            | 24  |
| 10112041-5045HLF                                    | 4.5                     | 20.1            | 24  |
| 10112041-5050HLF                                    | 5.0                     | 20.1            | 24  |
| 10112041-5055HLF                                    | 5.5                     | 20.1            | 24  |
| 10112041-5060HLF                                    | 6.0                     | 20.1            | 24  |
| 10112041-5065HLF                                    | 6.5                     | 20.1            | 24  |
| 10112041-5070HLF                                    | 7.0                     | 20.1            | 24  |
| 10112041-5075HLF                                    | 7.5                     | 20.1            | 24  |
| 10112041-5080HLF                                    | 8.0                     | 20.1            | 24  |
| 10112041-5085HLF                                    | 8.5                     | 20.1            | 24  |
| 10112041-5090HLF                                    | 9.0                     | 20.1            | 24  |
| 10112041-5095HLF                                    | 9.5                     | 20.1            | 24  |
| 10112041-5100HLF                                    | 10.0                    | 20.1            | 24  |

### HALOGEN FREE CABLE ASSEMBLY PART NUMBERS



Copyright FCI.

|             |                |            |   |                        |                |   |                    |          |
|-------------|----------------|------------|---|------------------------|----------------|---|--------------------|----------|
| dr          | Deborah Ingram | 2010/05/07 |   | mm                     | size           | A3  | scale              | 1:2      |
| eng         | Tom Feng       | 2015/08/12 |   |                        | ecn no         | ELX-N-21649-1   |                    |          |
| chr         | -              | -          |   |                        | product family | C&A   | rel level          | Released |
| appr        | Frank Mao      | 2015/08/12 |   |                        |                | FINAL ASSEMBLY (PASSIVE)<br>MSAS HD 4X ASSEMBLY (3Gb/s - 6Gb/s) | dwg no<br>10112041 | rev<br>D |
| www.fci.com |                | cat. no.   | - | Product - Customer Drw |                | sheet 4 of 5  |                    |          |

| PRODUCT NUMBER   | DESCRIPTION      | NOTES      |
|------------------|------------------|------------|
| 10112041-XXXXLF  | NON-HF           | SEE SHT. 3 |
| 10112041-XXXXHLF | HALOGEN FREE (H) | SEE SHT. 4 |

NOTES CONTINUED:

- △ 15. EEPROM INFORMATION REFER TO FCI LATEST PRODUCT SPEC. GS-12-651.
- △ 16. CABLE IS OPTIONAL, WHICH HAD BEEN QUALIFIED BY FCI AND MEET FCI PRODUCT SPEC. GS-12-651.

NOTES:

1 - MATERIAL:  
 BACK SHELLS: ZINC ALLOY/ COPPER UNDERPLATE/ NICKEL OVERPLATE  
 PULL TAB: THERMOPLASTIC POLYMER  
 LATCH : STAINLESS STEEL  
 FERRULE: BRASS  
 EMI SKIRT: STAINLESS STEEL  
 LOCTITE  
 PADDLE CARD: PRINTED CIRCUIT SUBSTRATE  
 HEAT SHRINK TUBE: HIGH POLYMER

△ 2 - THIS PRODUCT MEETS THE RESTRICTION OF HAZARDOUS SUBSTANCES IN ELECTRICAL AND ELECTRONIC EQUIPMENT (ROHS) DIRECTIVE (2011/65/EU)

3. THIS DIMENSION IS A FINISHED PRODUCT LENGTH.

4- UNLESS OTHERWISE SPECIFIED ASSEMBLED LENGTH TOLERANCE IS TO BE:  
 "DIM L" < 1 METER = ±25mm  
 "DIM L" 1 METER TO 10 METERS = ± 2% OF "DIM L"  
 "DIM L" > 10 METERS = +0.00/-4% OF "DIM L"

△ 5- LABEL DETAILS:  
 MANUFACTURER CODE OR NAME COUNTRY OF ORIGIN  
 FCI P/N  
 FCI CUSTOMER DRAWING REVISION  
 FCI SERIAL NUMBER  
 BAR CODE OF SERIAL NUMBER

FONT SHALL BE CLEARLY VISIBLE AND BLACK IN COLOR.

6- ALL CABLE ASSEMBLIES SHALL BE 100% TESTED FOR CONTINUITY AS DEFINED IN WIRING LIST.

7. PLACE A CABLE TIE EVERY 0.5 METER ON ALL ASSEMBLIES, UNLESS OTHERWISE SPECIFIED. IN CASE OF 0.5 METER CABLE ASSEMBLY, CABLE TIE IS TO BE APPLIED AT THE MIDWAY POINT.

8 - OTHER TESTING PERFORMED AS REQUIRED BY PRODUCT SPECIFICATION: GS-12-651.

△ 9 - PACKAGING OF LEAD FREE PRODUCTS MEETS LABELING AND PACKAGING PER SPECIFICATION GS-14-920. PACKAGE CABLE ASSEMBLIES PER GS-14-1272. DUST COVERS ARE TO BE ASSEMBLED PRIOR TO PACKAGING. FCI PACKAGE TRACKING BAG LABEL IS ONLY FOR REFERENCE.

10. A "△" SYMBOL WILL BE NEXT TO ANY DIMENSION, VIEW, OR NOTE WHICH HAS BEEN MODIFIED WITH THE CURRENT DRAWING REVISION. THE CURRENT REVISION WILL BE SHOWN IN THE SYMBOL.

11. "H" PRODUCT NUMBERS DESIGNATE THE USE OF HALOGEN FREE RAW CABLE.

12. HALOGEN FREE RAW CABLE CAN BE USED AS A SUBSTITUTE ON NON-HF PRODUCT NUMBERS.

13. MEETS ELECTRICAL REQUIREMENTS OF SAS 2.1.

14. MATES WITH SERIES: 10112626 or 10112627 or 10112628

FCI SERIAL NUMBER IS ONLY USED FOR TRACKING PRODUCT,DETAIL IS AS BELOW :



CABLE LABEL EXAMPLE:



|      |                |            |                                     |     |             |               |       |                        |
|------|----------------|------------|-------------------------------------|-----|-------------|---------------|-------|------------------------|
| dr   | Deborah Ingram | 2010/05/07 | projection                          | mm  | size        | A3            | scale | 1:2                    |
| eng  | Tom Feng       | 2015/08/12 |                                     |     | ecn no      | ELX-N-21649-1 |       |                        |
| chr  | -              | -          | product family                      | C&A | rel level   | Released      |       |                        |
| appr | Frank Mao      | 2015/08/12 |                                     |     | www.fci.com | cat. no.      | -     | Product - Customer Drw |
| FCI  |                |            | FINAL ASSEMBLY (PASSIVE)            |     | dwg no      | 10112041      |       | rev                    |
|      |                |            | MSAS HD 4X ASSEMBLY (3Gb/s - 6Gb/s) |     |             |               | D     |                        |