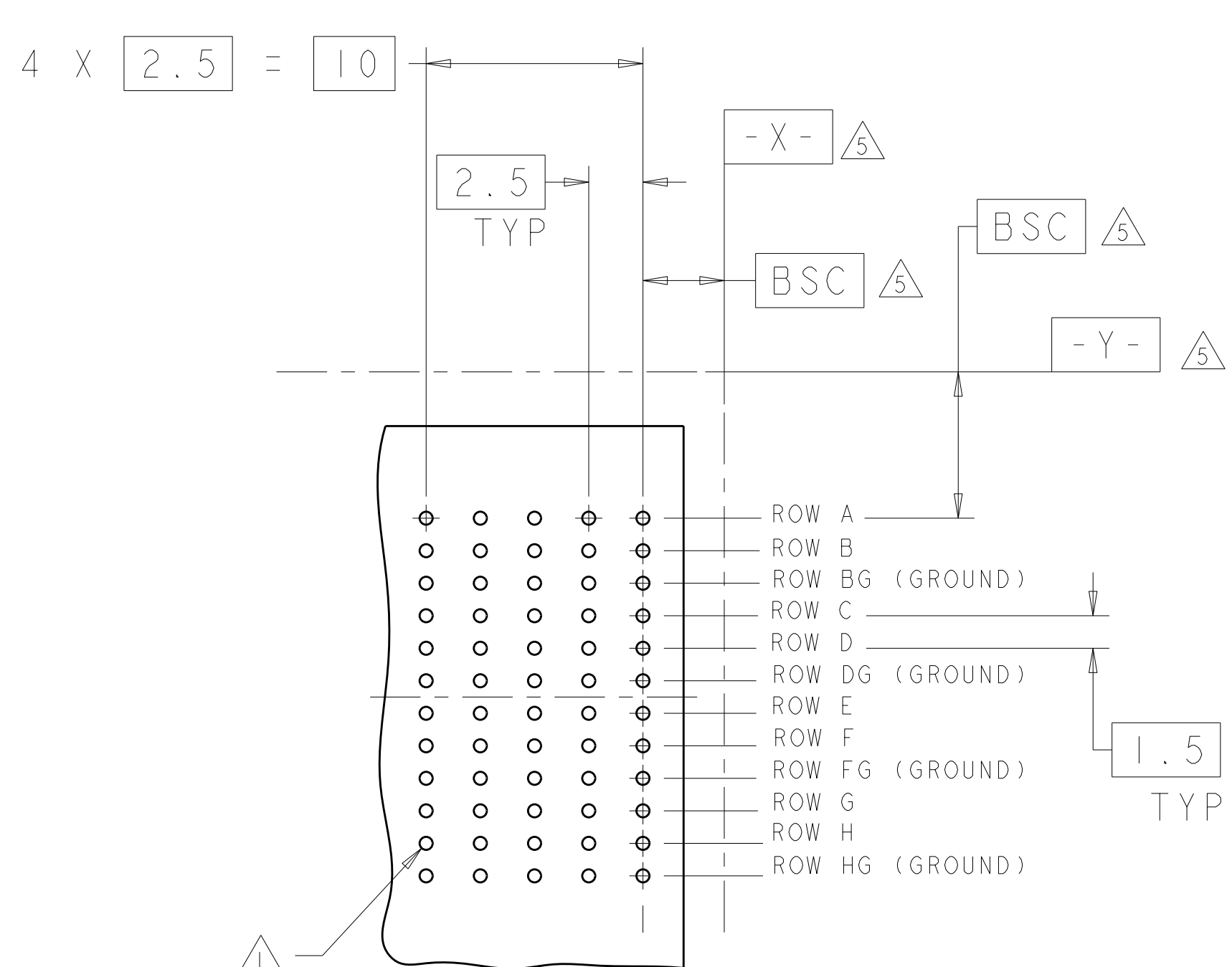
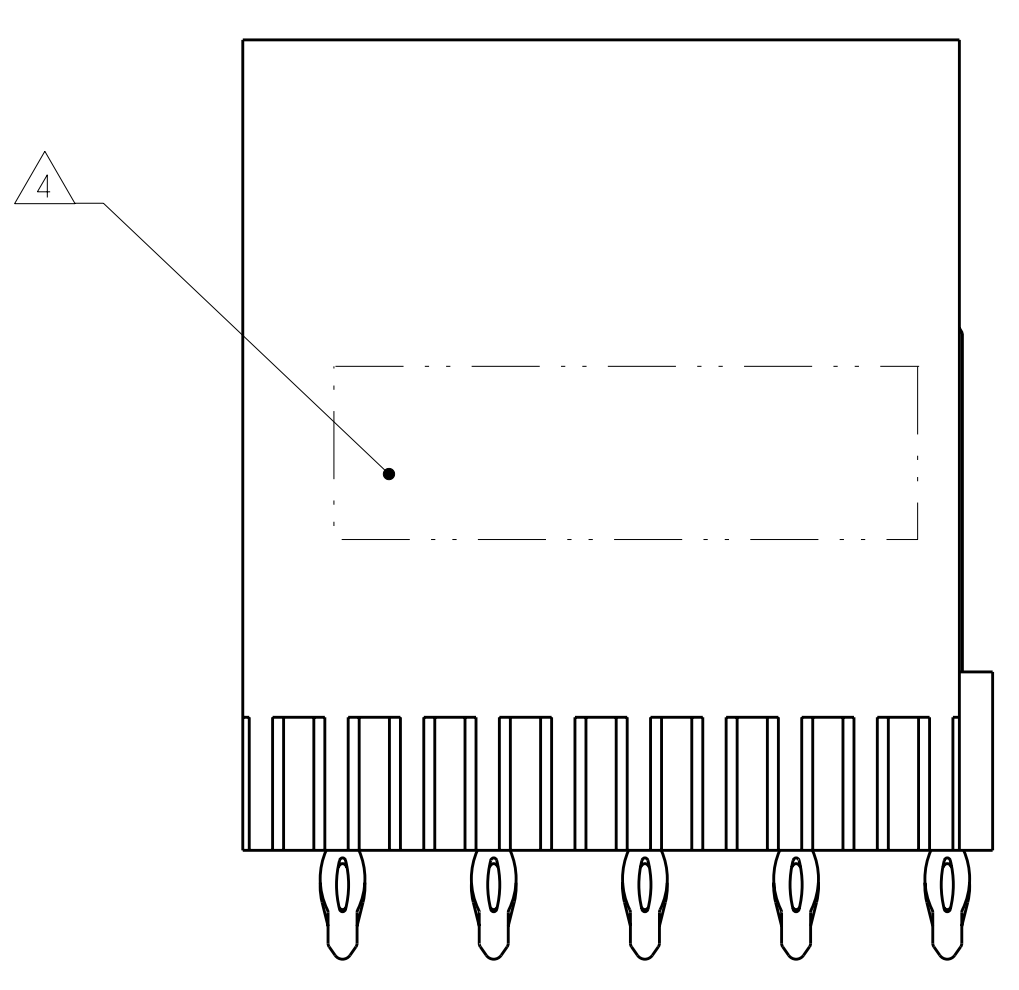
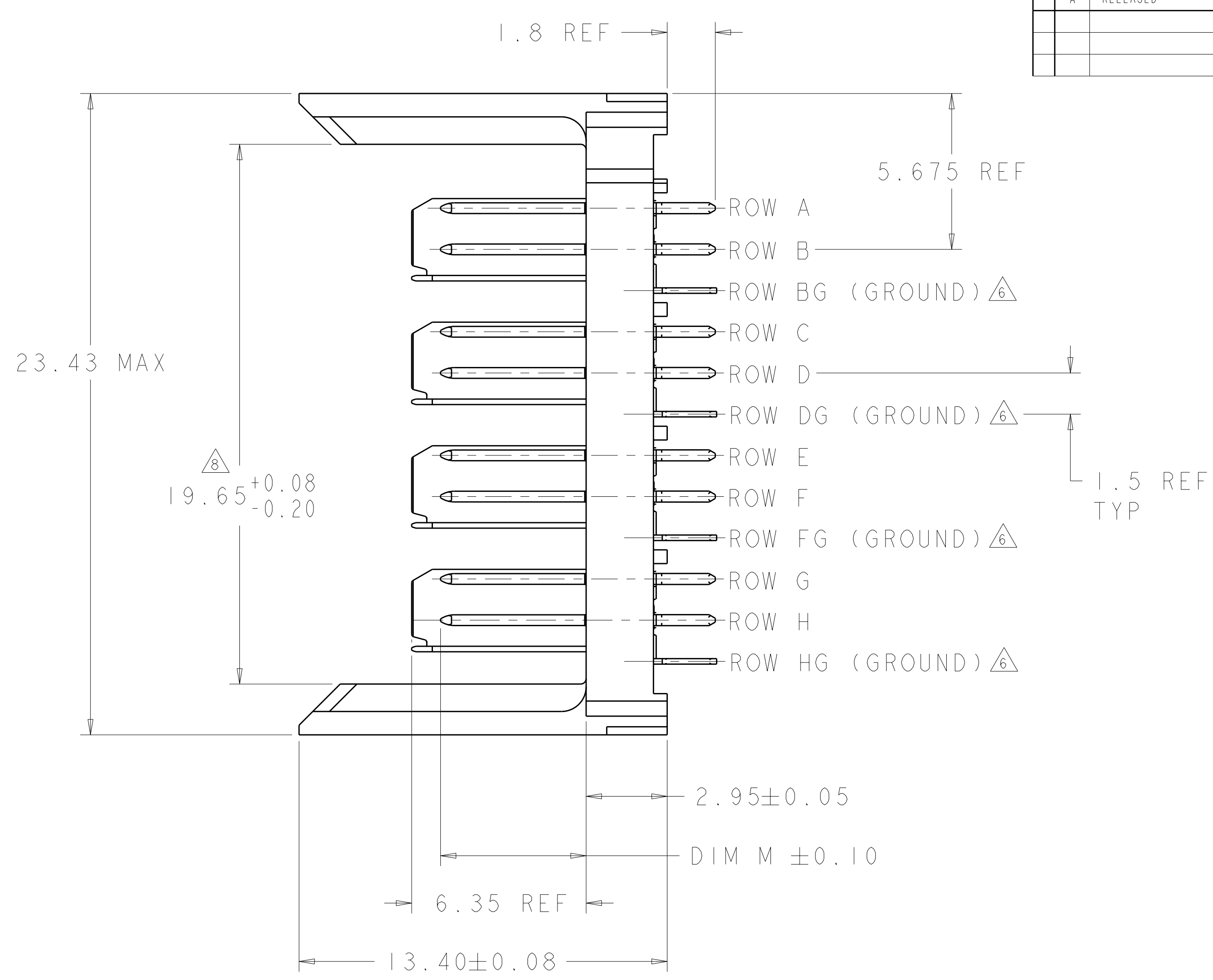
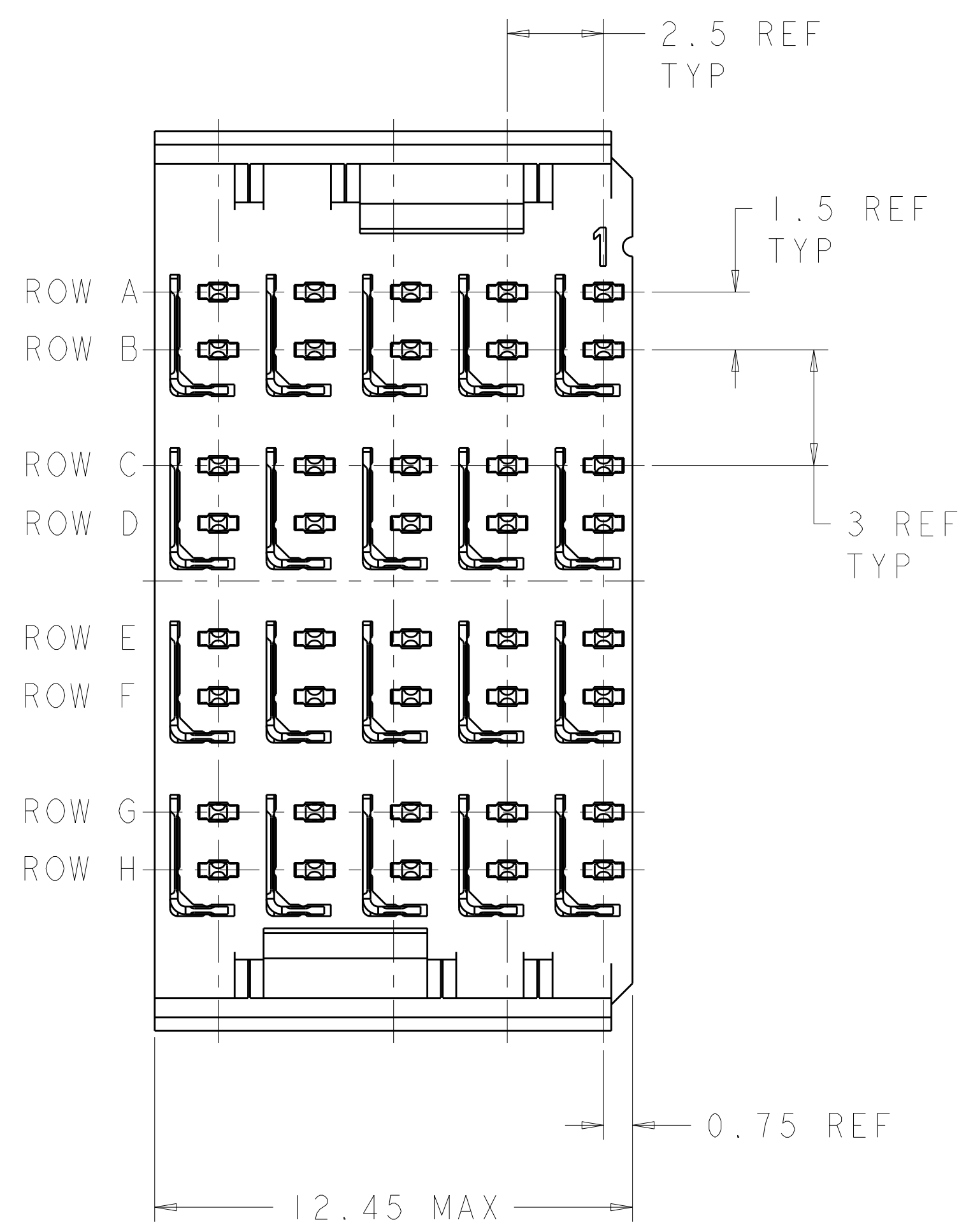


LOC		DIST		REVISIONS			
AD	00	P	LTR	DESCRIPTION	DATE	DWN	APVD
		A		RELEASED	08FEB2012	BC	JE



⊕ ∅0.05Ⓢ X Y
 ALL PLATED THRU HOLES

RECOMMENDED PC BOARD LAYOUT, BACKPLANE, COMPONENT SIDE SHOWN SCALE 4:1

- ① PCB HOLE DIM:
 DRILLED HOLE=0.700±0.025mm
 FINISHED HOLE=0.60±0.05mm
 Cu-THICKNESS=0.0375±0.0125mm
 SnPb THICKNESS=0.007±0.003mm
- ② MATERIAL:
 CONTACT AND SHIELD - PHOSPHOR BRONZE
 HOUSING - GLASS FILLED POLYESTER
- ③ FINISH: CONTACT AND SHIELD
 MATING AREA - MEETS THE PERFORMANCE REQUIREMENTS OF PRODCUT SPECIFICATION 108-2055; BASED ON TELCORDIA GR-1217-CORE, APPLICATIONS IN UNCONTROLLED ENVIRONMENTS
 COMPLIANT PIN AREA - 0.5µm MIN TIN OVER 1.27µm MIN NICKEL
- ④ CONNECTOR MARKED WITH PART NUMBER AND DATE CODE.
- ⑤ DATUMS AND BASIC DIMENSIONS ESTABLISHED BY CUSTOMER.
- ⑥ THE FOUR GROUNDS IN EACH COLUMN ARE COMMONED.
- 7. CONTACT AREA LUBRICATED WITH BELLCORE APPROVED LUBRICANT. TECHNICAL REFERENCE: GR-1217-CORE, ISSUE 1, NOVEMBER 1995.
- ⑧ DIMENSION APPLIES TO FIRST AND LAST CIRCUITS.

3.80	1645622-2
5.30	1645622-1
DIM M	PART NUMBER

THIS DRAWING IS A CONTROLLED DOCUMENT.		DWN: B. CARBO 08FEB2012	TE Connectivity
DIMENSIONS: mm		CHK: J. EARY 08FEB2012	
TOLERANCES UNLESS OTHERWISE SPECIFIED:		APVD: J. EARY 08FEB2012	
0 PLC ± 1 PLC ± 2 PLC ± 3 PLC ± 4 PLC ± ANGLES ±		NAME: HEADER ASSEMBLY, 4 PAIR, 1.8mm TAIL, 12.5mm HMZd	
MATERIAL: FINISH: ③		PRODUCT SPEC: -	SIZE: CAGE CODE: DRAWING NO: A100779C=1645622
		APPLICATION SPEC: -	RESTRICTED TO: -
		WEIGHT: -	CUSTOMER DRAWING
		SCALE: 8:1	SHEET 1 OF 1 REV A