

# Explosion-proof, velocity loop powered sensor

## PC420V-EX series



**Table 1: PC420Vx-yy-EX model selection guide**

x (4-20 mA output type)	yy (4-20 mA full scale)
R = velocity, RMS output	05 = 0.5 ips 10 = 1.0 ips 20 = 2.0 ips
P = velocity, equivalent peak output	30 = 3.0 ips 50 = 5.0 ips

### Key features

- Choice of RMS or peak equivalent output
- Explosion-proof certified
- Provides continuous trending of overall machine vibration
- Manufactured in an approved ISO 9001 facility

### Certifications



Class I, Div 1, 2 Groups A, B, C, D  
Class II, Div 1, 2 Groups E, F, G  
Class III  
T3C Ta = 85°C max



II 2 G  
Ex d IIC T3  
II 3 G  
Ex nA II T3  
-40°C ≤ Ta ≤ +85°C

For hazardous area locations, sensor must be installed in accordance with installation instructions or local code requirements.

Special conditions for safe use:

- Conduit seal must be installed within 18 inches (450 mm) of the enclosure.
- Use supply wires with spreading suitable for at least 70°C.



Note: Due to continuous process improvement, specifications are subject to change without notice.  
This document is cleared for public release.

# Explosion-proof, velocity loop powered sensor

## PC420V-EX series

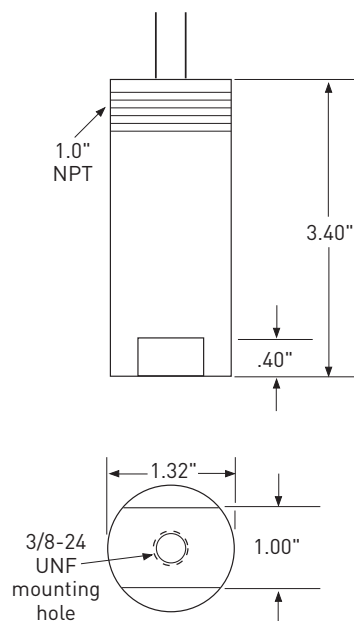
### SPECIFICATIONS

Full scale, 20 mA, ±5%	see Table 1 on page 1	
Frequency response:	±10%	10 Hz - 1.0 kHz
	±3 dB	4.0 Hz - 2.0 kHz
Repeatability	±2%	
Transverse sensitivity, max	5%	
Power requirements, 2-wire loop power:		
Voltage at sensor terminals	14 - 30 VDC	
Loop resistance <sup>1</sup> at 24 VDC, max	700 Ω	
Turn on time, 4-20 mA loop	<10 sec	
Grounding	case isolated, internally shielded	
Temperature range	-40° to +85° C	
Vibration limit	250 g peak	
Shock limit	2,500 g peak	
Sealing	epoxy sealed	
Sensing element design	PZT, shear	
Weight	380 grams	
Case material	303 stainless steel	
Mounting	3/8-24 x 3/8 depth tapped hole	
Output leads, 18 AWG	13 ft.	

**Accessories supplied:** SF20-2 mounting stud; calibration data (level 2)

**Optional accessories:** SF20-1 mounting stud (1/4-28 to 3/8-24)

Connections	
Function	Cable color
loop positive (+)	red
loop negative (-)	white



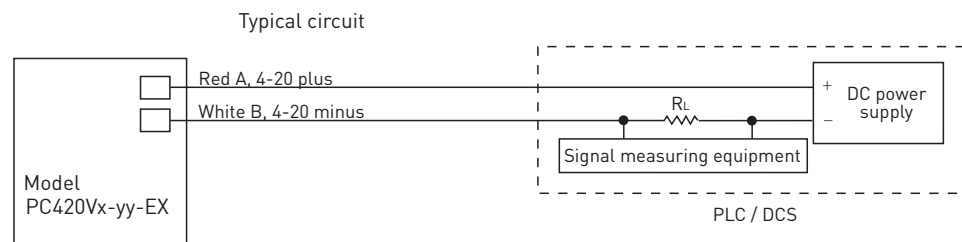
**Notes:** <sup>1</sup> Maximum loop resistance ( $R_L$ ) can be calculated by:

$$R_L = \frac{V_{DC\ power} - 12\ V}{20\ mA}$$

DC supply voltage	$R_L$ (max resistance) <sup>2</sup>	$R_L$ (minimum wattage capability) <sup>3</sup>
12 VDC	100 Ω	1/8 watt
20 VDC	500 Ω	1/4 watt
24 VDC	700 Ω	1/2 watt
26 VDC	800 Ω	1/2 watt
30 VDC	1,000 Ω	1/2 watt

<sup>2</sup> Lower resistance is allowed, greater than 10 Ω recommended.

<sup>3</sup> Minimum  $R_L$  wattage determined by:  $(0.0004 \times R_L)$ .



Note: Due to continuous process improvement, specifications are subject to change without notice. This document is cleared for public release.