

Explosion-proof, velocity loop powered sensor

PC420V-EX series



Table 1: PC420Vx-yy-EX model selection guide

x (4-20 mA output type)	yy (4-20 mA full scale)
R = velocity, RMS output	05 = 0.5 ips 10 = 1.0 ips 20 = 2.0 ips
P = velocity, equivalent peak output	30 = 3.0 ips 50 = 5.0 ips

Key features

- Choice of RMS or peak equivalent output
- Explosion-proof certified
- Provides continuous trending of overall machine vibration
- Manufactured in an approved ISO 9001 facility

Certifications



Class I, Div 1, 2 Groups A, B, C, D
Class II, Div 1, 2 Groups E, F, G
Class III
T3C Ta = 85°C max



II 2 G
Ex d IIC T3
II 3 G
Ex nA II T3
-40°C ≤ Ta ≤ +85°C

For hazardous area locations, sensor must be installed in accordance with installation instructions or local code requirements.

Special conditions for safe use:

- Conduit seal must be installed within 18 inches (450 mm) of the enclosure.
- Use supply wires with spreading suitable for at least 70°C.



Note: Due to continuous process improvement, specifications are subject to change without notice.
This document is cleared for public release.

Explosion-proof, velocity loop powered sensor

PC420V-EX series

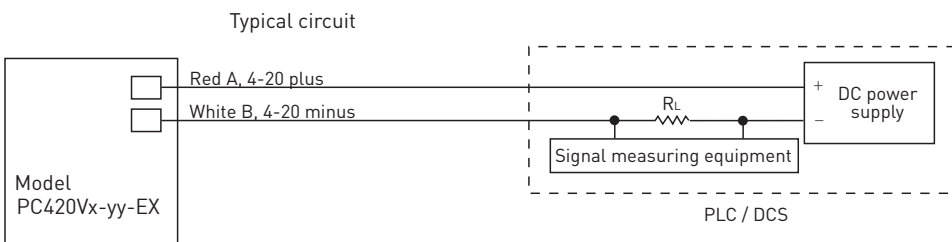
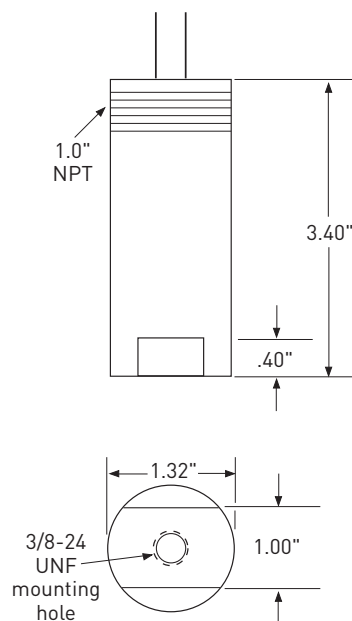
SPECIFICATIONS

Full scale, 20 mA, ±5%		see Table 1 on page 1
Frequency response:	±10%	10 Hz - 1.0 kHz
	±3 dB	4.0 Hz - 2.0 kHz
Repeatability		±2%
Transverse sensitivity, max		5%
Power requirements, 2-wire loop power:		
Voltage at sensor terminals		14 - 30 VDC
Loop resistance ¹ at 24 VDC, max		700 Ω
Turn on time, 4-20 mA loop		<10 sec
Grounding		case isolated, internally shielded
Temperature range		-40° to +85° C
Vibration limit		250 g peak
Shock limit		2,500 g peak
Sealing		epoxy sealed
Sensing element design		PZT, shear
Weight		380 grams
Case material		303 stainless steel
Mounting		3/8-24 x 3/8 depth tapped hole
Output leads, 18 AWG		13 ft.

Accessories supplied: SF20-2 mounting stud; calibration data (level 2)

Optional accessories: SF20-1 mounting stud (1/4-28 to 3/8-24)

Connections	
Function	Cable color
loop positive (+)	red
loop negative (-)	white



Notes: ¹ Maximum loop resistance (R_L) can be calculated by:

$$R_L = \frac{V_{DC\ power} - 12\ V}{20\ mA}$$

DC supply voltage	R_L (max resistance) ²	R_L (minimum wattage capability) ³
12 VDC	100 Ω	1/8 watt
20 VDC	500 Ω	1/4 watt
24 VDC	700 Ω	1/2 watt
26 VDC	800 Ω	1/2 watt
30 VDC	1,000 Ω	1/2 watt

² Lower resistance is allowed, greater than 10 Ω recommended.

³ Minimum R_L wattage determined by: $(0.0004 \times R_L)$.

Note: Due to continuous process improvement, specifications are subject to change without notice. This document is cleared for public release.