

P	LTR	DESCRIPTION	DATE	DWN	APVD
B4		PN 6--1 ADDED	05APR2013	AZ	PY
C		BYSON AND ZHSCGB CABLES ARE ADDED AS ALTERNATIVE CABLES	20NOV2013	KR	TD

CABLE ASSEMBLY VERSION (ACC. SHEET 2)	ORDER NO.	DIMENSION LA	PCS.	QUANTITY											
				PIN CONNECTOR PLUS	PIN CONNECTOR MINUS	SOCKET CONNECTOR PLUS	SOCKET CONNECTOR MINUS	LABEL	SOLARLOK CABLE TE CONNECTIVITY 4mm <sup>2</sup> BLACK, ZHSCG	PIN CONNECTOR NEUTRAL	SOCKET CONNECTOR MINUS	LABEL PLUS	LABEL MINUS	DESCRIPTION	
				1394461-3	1394461-4	1393462-3	1394462-4				7-1394461-2	6-1394462-2			PART NO.
				1	2	3	4	5	6	7	8	9	10		ITEM NO.
7	6-1987376-1	250	400	-	1	1	-	1	1	-	-	-	-		
6	5-1987376-1	2005	20	-	-	-	-	1	1	1	1	1	1		
5	4-1987376-6	1842	30	-	-	1	1	2	1	-	-	-	-		
	4-1987376-5	20042	5	-	-	1	1	2	1	-	-	-	-		
	4-1987376-4	10042	10	-	-	1	1	2	1	-	-	-	-		
	4-1987376-3	5042	10	-	-	1	1	2	1	-	-	-	-		
	4-1987376-2	3042	20	-	-	1	1	2	1	-	-	-	-		
4-1987376-1	1042	100		-	-	1	1	2	1	-	-	-	-		
4	3-1987376-6	25042	5	-	-	-	2	2	1	-	-	-	-		
	3-1987376-5	20042	5	-	-	-	2	2	1	-	-	-	-		
	3-1987376-4	10042	10	-	-	-	2	2	1	-	-	-	-		
	3-1987376-3	5042	10	-	-	-	2	2	1	-	-	-	-		
	3-1987376-2	3042	20	-	-	-	2	2	1	-	-	-	-		
3-1987376-1	1042	100		-	-	-	2	2	1	-	-	-	-		
3	2-1987376-6	25042	5	-	-	2	-	2	1	-	-	-	-		
	2-1987376-5	20042	5	-	-	2	-	2	1	-	-	-	-		
	2-1987376-4	10042	10	-	-	2	-	2	1	-	-	-	-		
	2-1987376-3	5042	10	-	-	2	-	2	1	-	-	-	-		
	2-1987376-2	3042	20	-	-	2	-	2	1	-	-	-	-		
2-1987376-1	1042	100		-	-	2	-	2	1	-	-	-	-		
2	1-1987376-5	20042	5	-	1	-	1	1	1	-	-	-	-		
	1-1987376-4	10042	10	-	1	-	1	1	1	-	-	-	-		
	1-1987376-3	5042	10	-	1	-	1	1	1	-	-	-	-		
	1-1987376-2	3042	20	-	1	-	1	1	1	-	-	-	-		
	1-1987376-1	1042	100	-	1	-	1	1	1	-	-	-	-		
1	0-1987376-5	20042	5	1	-	1	-	1	1	-	-	-	-		
	0-1987376-4	10042	10	1	-	1	-	1	1	-	-	-	-		
	0-1987376-3	5042	10	1	-	1	-	1	1	-	-	-	-		
	0-1987376-2	3042	20	1	-	1	-	1	1	-	-	-	-		
	0-1987376-1	1042	100	1	-	1	-	1	1	-	-	-	-		

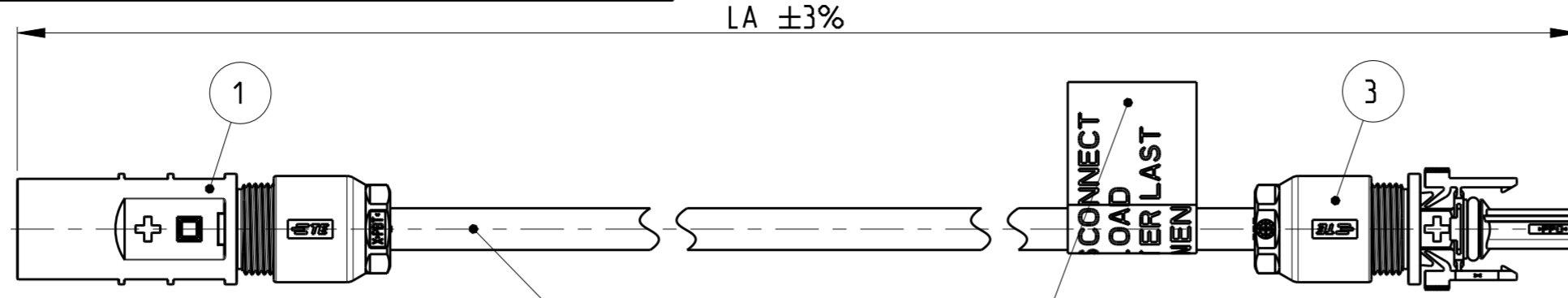
REMARKS:

- 1 **PACKAGING:**  
EACH CABLE ASSY SEPARATELY PACKED IN A SEALED ESD PLASTIC BAG
- 2 PACKAGING UNIT = MINIMUM ORDER QUANTITY (SEE TABLE)
- 3 POS. 9 LABEL PLUS AND POS. 10 LABEL MINUS NOT SHOWN.
- 4 POS. 9 LABEL PLUS AND POS. 10 LABEL MINUS LOOSE PACKED IN ESD PLASTIC BAG.
- 5 NEUTRAL PIN CONNECTOR MUST BE MARKED BY APPLICATION WITH A POLARITY LABEL POS. 9 (PLUS) OR POS. 10 (MINUS).
- 6 FOR ZHSCG SOLAR CABLE, 4mm<sup>2</sup>, 12AWG, BLACK. SOLAR CABLE PN 1983821-1 OR ZHSCGB SOLAR CABLE PN 1983530-1 CAN BE ALTERNATIVELY USED.

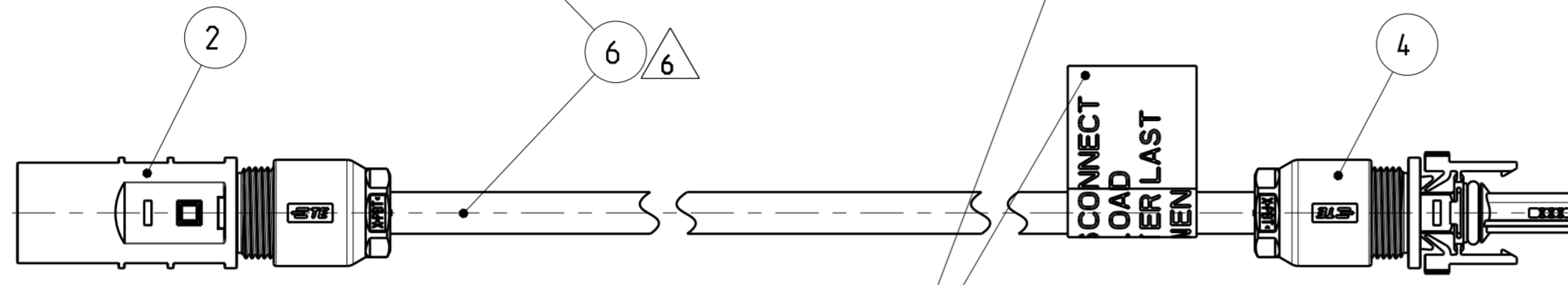
THIS DRAWING IS A CONTROLLED DOCUMENT.		DWN M.SCHLEIHAUF 24SEP2009	TE Connectivity	
		CHK H. SCHERER 24SEP2009		
DIMENSIONS: mm		APVD A. WÖBER	NAME PHOTOVOLTAIK CABLE ASSY	
TOLERANCES UNLESS OTHERWISE SPECIFIED:		PRODUCT SPEC 108-18701	RESTRICTED TO	
0 PLC ±0.5		APPLICATION SPEC 114-18488-1	SIZE A2	CAGE CODE 00779
1 PLC ±		WEIGHT	DRAWING NO. C-1987376	SCALE 2:1
2 PLC ±		Customer Drawing	SHEET 1	OF 2
3 PLC ±			REV C	
4 PLC ±				
ANGLES ±				
FINISH				

REVISIONS				
P	LTR	DESCRIPTION	DATE	APVD
-	-	SEE SHEET 1	-	-

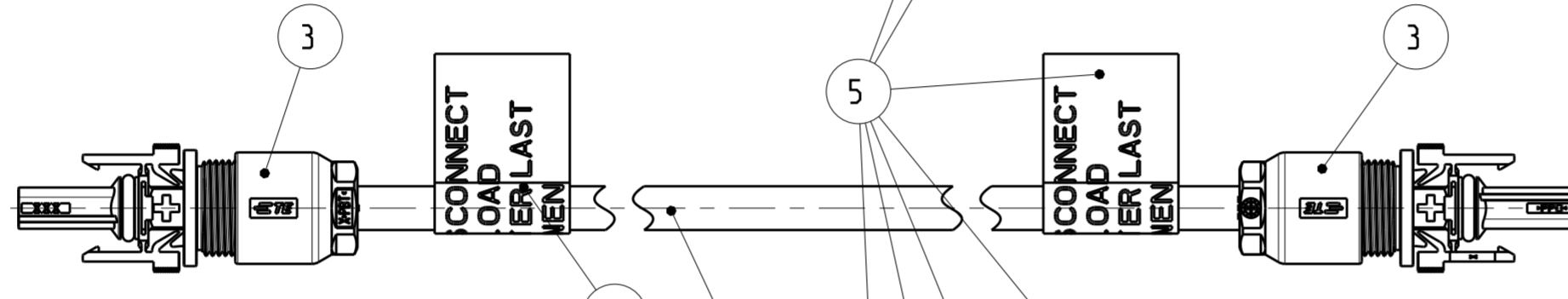
CABLE ASSEMBLY  
VERSION 1



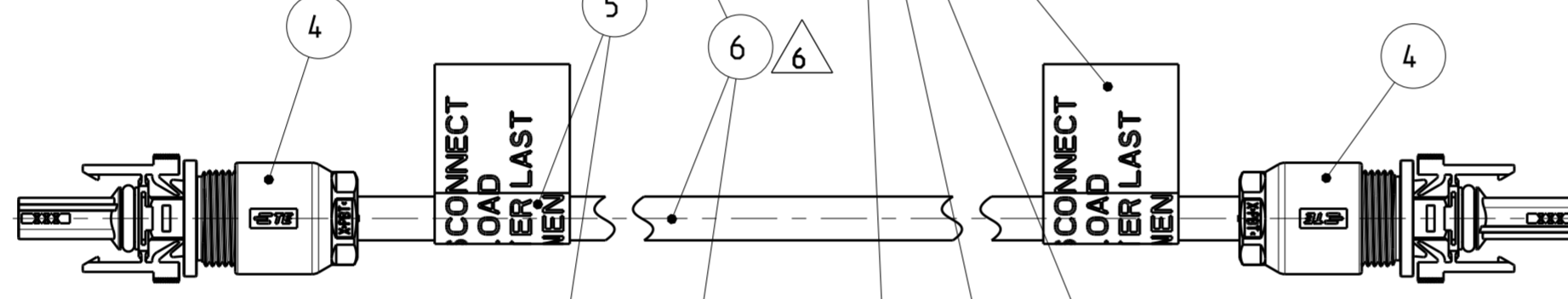
CABLE ASSEMBLY  
VERSION 2



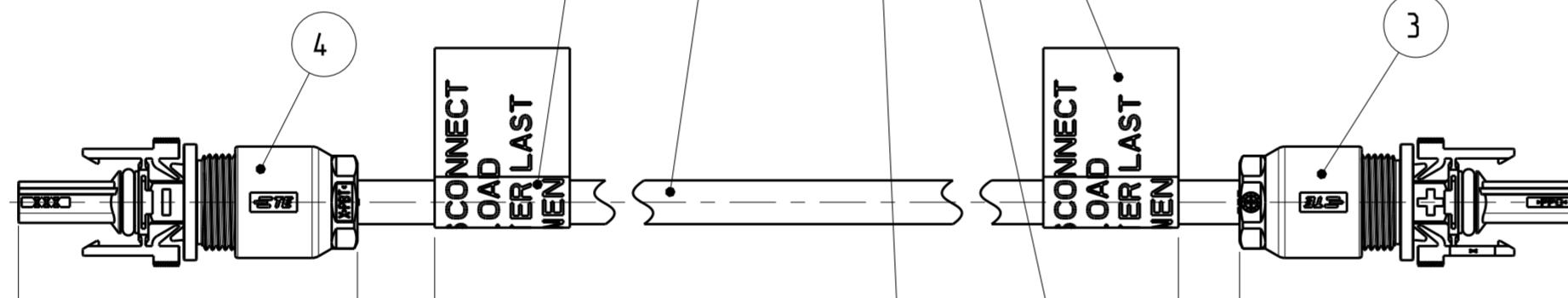
CABLE ASSEMBLY  
VERSION 3



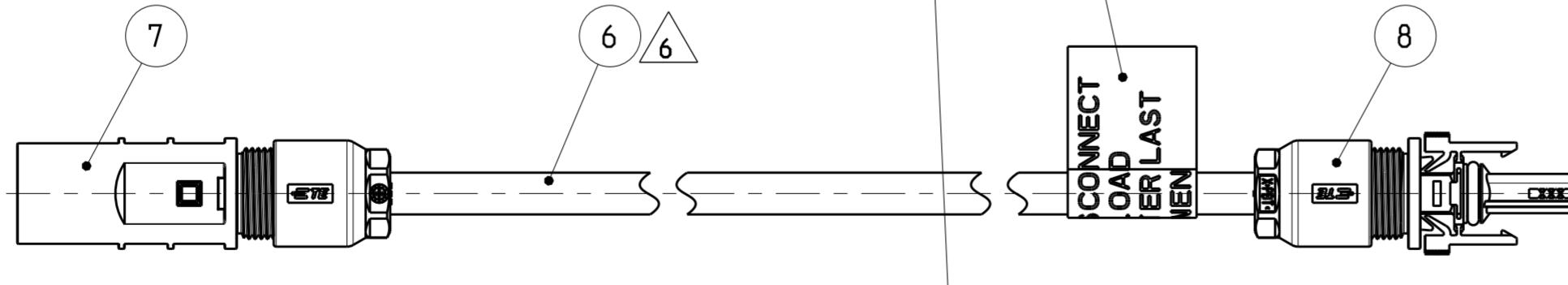
CABLE ASSEMBLY  
VERSION 4



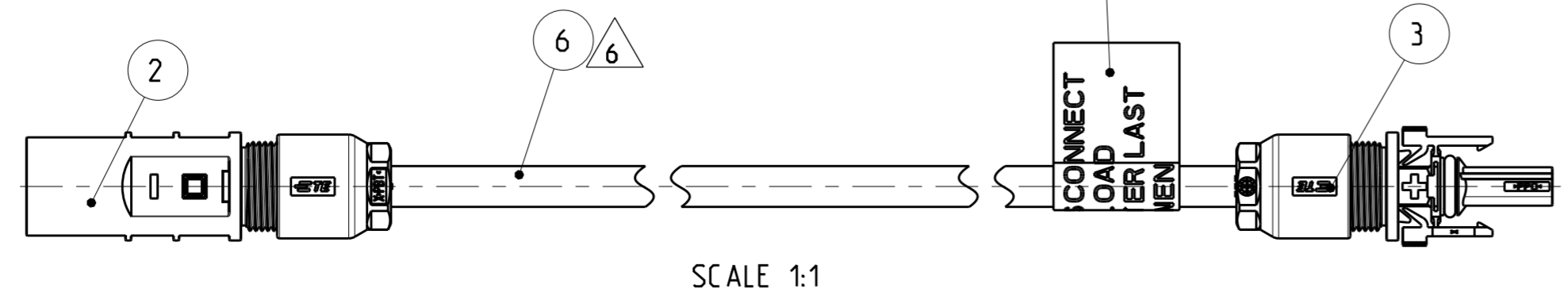
CABLE ASSEMBLY  
VERSION 5



CABLE ASSEMBLY  
VERSION 6



CABLE ASSEMBLY  
VERSION 7



-1...6--1 AS SHOWN

THIS DRAWING IS A CONTROLLED DOCUMENT.

DIMENSIONS: mm	TOLERANCES UNLESS OTHERWISE SPECIFIED:	DWN M. SCHLEIFER 24 SEP 2009	TE Connectivity NAME PHOTOVOLTAIK CABLE ASSY
	0 PLC ±0.5	CHK H. SCHERER 24 SEP 2009	
MATERIAL	1 PLC ±	APVD A. WÖBER	PRODUCT SPEC 108-18701
	2 PLC ±	APVD	APPLICATION SPEC 114-18488-1
	3 PLC ±	APVD	WEIGHT
	4 PLC ±	APVD	Customer Drawing
	ANGLES FINISH		SCALE 2:1 SHEET 2 OF 2 REV C