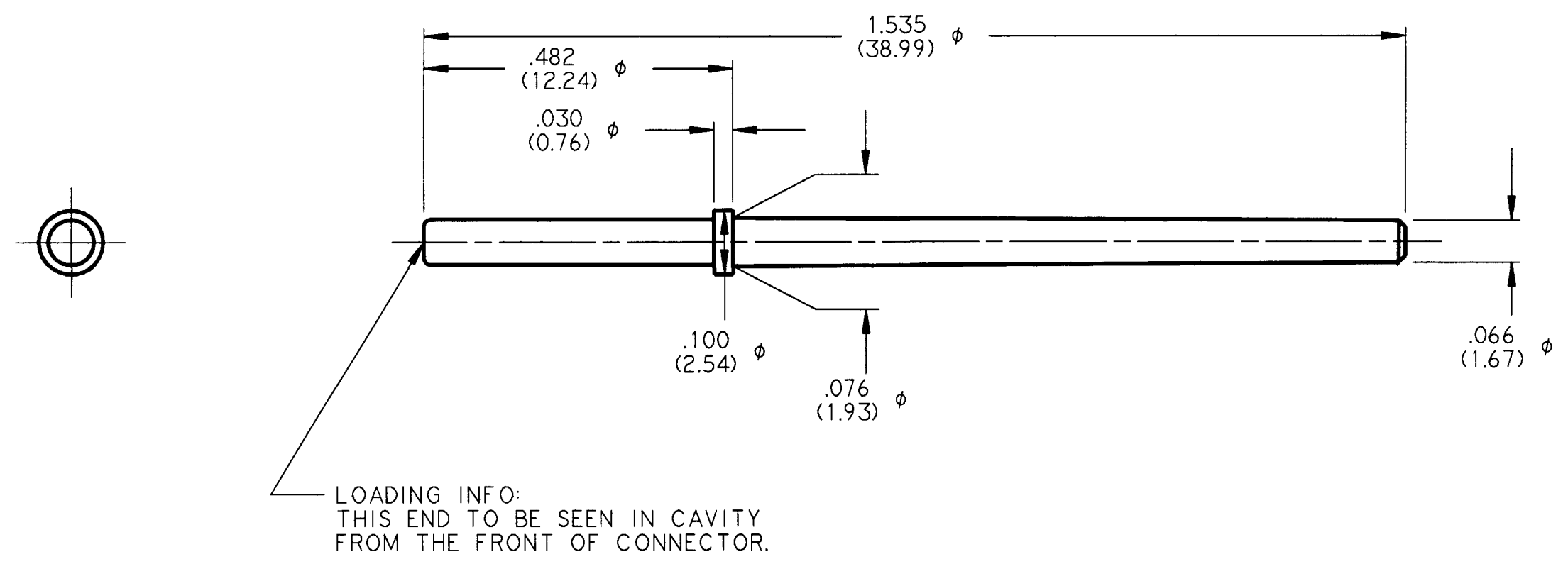


REV NC	0413-216-2005	REVISIONS		
SYM	DESCRIPTION	DATE	APPROVED	
NC	NEW RELEASE PER E.O. A14921	10-31-95	RDR	



NOTES:
 1. COLOR: RED.
 2. DIMENSIONS ARE FOR REFERENCE ONLY IN INCHES (METRIC).

SIGNATURE & DATE	
DR	V.TOMSA OCT-30-95
CHK	
PE	<i>William Tomsa</i>
APPD	<i>R. Reed 10/31/95</i>
SCALE 5X	WT

KEYING PIN
 SIZE 20
 HD SERIES

ENVELOPE

CP	MATL CODE
The Deutsch Company DEUTSCH I.P.D. 37140 INDUSTRIAL AVE. HEMET, CALIF. 92343	
0413-216-2005	
DWG SIZE	CODE 11139 SHEET 1 OF 1