

WizFi310 Datasheet

Version 1.0.0

WizFi310

WizFi310 is a small size wireless module for the highest level of integration, featuring 802.11b/g and 802.11n.

It has onboard antenna, and external antenna interface, RF output PIN also exist in the board.

WizFi310 internally integrated TCP / IP protocol stack, supporting numerous protocols such as ARP, IP, ICMP, TCP, UDP, DHCP CLIENT, DHCP SERVER, DNS and other etc. It supports AP mode, Station mode. It also support rich AT commands for most kinds of application needs. Users can easily and quickly use it on wifi networking and data transmission. The baud rate of module serial port up to 921600bps, which can fully meet on low-rate applications.

In networking part, WizFi310 supports network parameters storage in the module that reduces time to connect to network. The module has built-in WEB server, supporting wireless network parameters configuration and wireless firmware upgrade. It also supports WPS. For application protocols, MQTT and SSL were supported in this module.

For software and driver development, WIZnet provides extensive technical documents and reference software codes for system integration.

Features

Application

- UART serial AT command set operation
- Support for multiple baud rate
- Support wireless configuration and OTA firmware upgrade
- Support on fast networking application functions (WPS function)
- Support MQTT, GMMP, TLS applications protocols

Standards Supported

- 802.11b/g/n compatible WLAN
- Light Weight TCP/IP protocol
- WPA, WPA2, Open, shared key
- WPS support

WLAN MAC Features

- CMOS MAC, Baseband PHY, and RF in a single chip for 802.11b/g/n compatible WLAN
- Complete 802.11n solution for 2.4GHz band
- 72.2Mbps receive PHY rate and 72.2Mbps transmit PHY rate using 20MHz bandwidth
- 150Mbps receive PHY rate and 150Mbps transmit PHY rate using 40MHz bandwidth
- PHY- level spoofing to enhance legacy compatibility
- Power saving mechanism

WLAN PHY Features

- 802.11n OFDM
- One Transmit and one Receive path (1T1R)
- Short Guard Interval (400ns)
- DSSS with DBPSK and DQPSK, CCK modulation with long and short preamble
- Maximum data rate 54Mbps in 802.11g and 150Mbps in 802.11n
- Fast receiver Automatic Gain Control (AGC)

Block Diagram

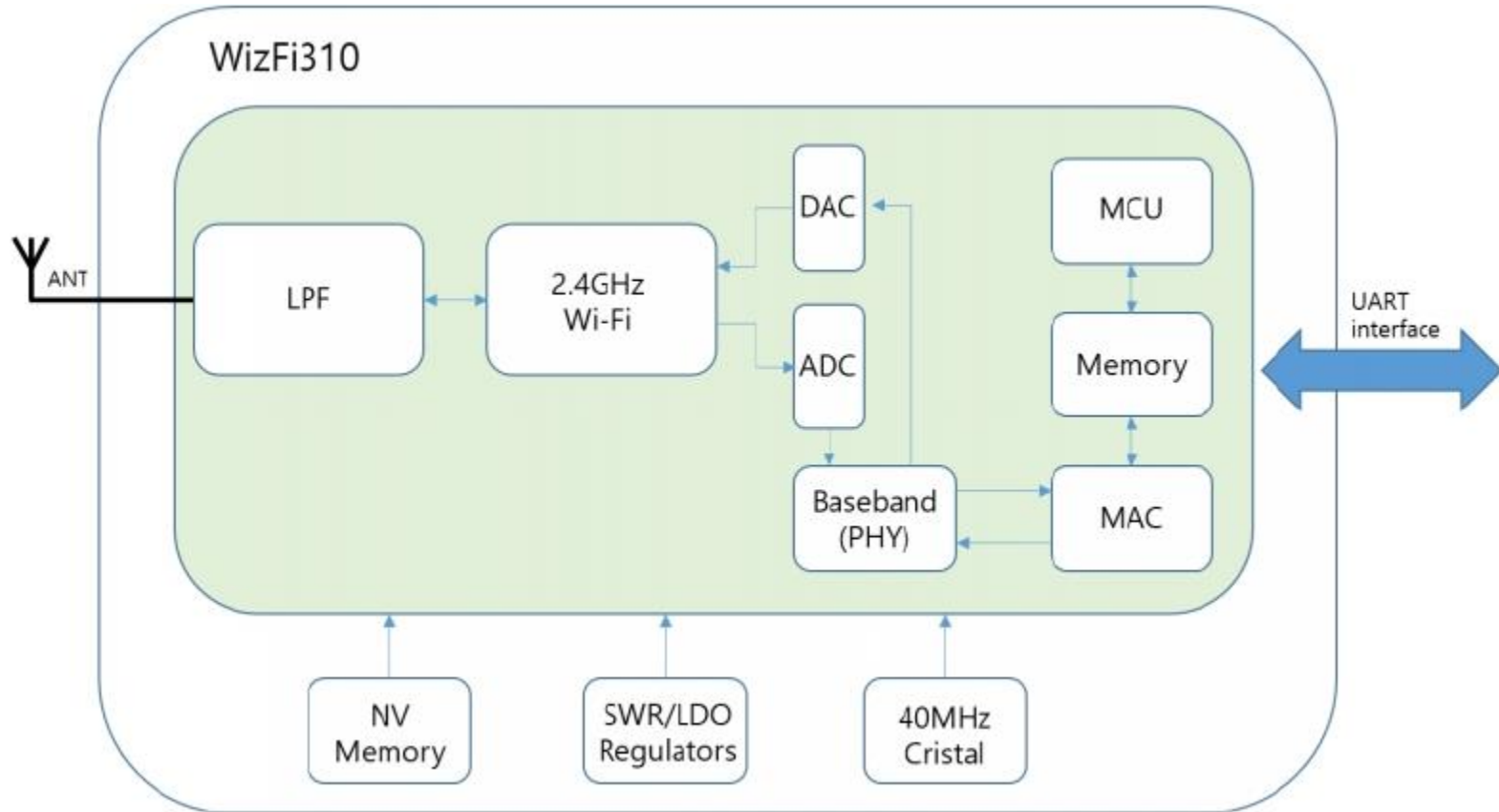


Table of Contents

| | | |
|----------|--------------------------------|----|
| 1 | Pin Assignment | 7 |
| 1.1 | Pin Map | 7 |
| 1.2 | Pin Description | 8 |
| 2 | Electrical Specification | 10 |
| 2.1 | General specification | 10 |
| 2.2 | 802.11g Mode..... | 11 |
| 2.3 | 802.11g HT 20 Mode | 12 |
| 2.4 | 802.11g HT 40 Mode | 13 |
| 2.6 | NVM specification | 13 |
| 2.7 | Power Consumption | 14 |
| 3 | Dimensions | 15 |
| 4 | Reference schematic | 16 |

Table of Figures

| | |
|-------------------------------------|----|
| Figure 1. WizFi301 Pin Layout | 7 |
| Figure 2. Dimensions | 15 |
| Figure 3. Reference schematic | 16 |

1 Pin Assignment

1.1 Pin Map

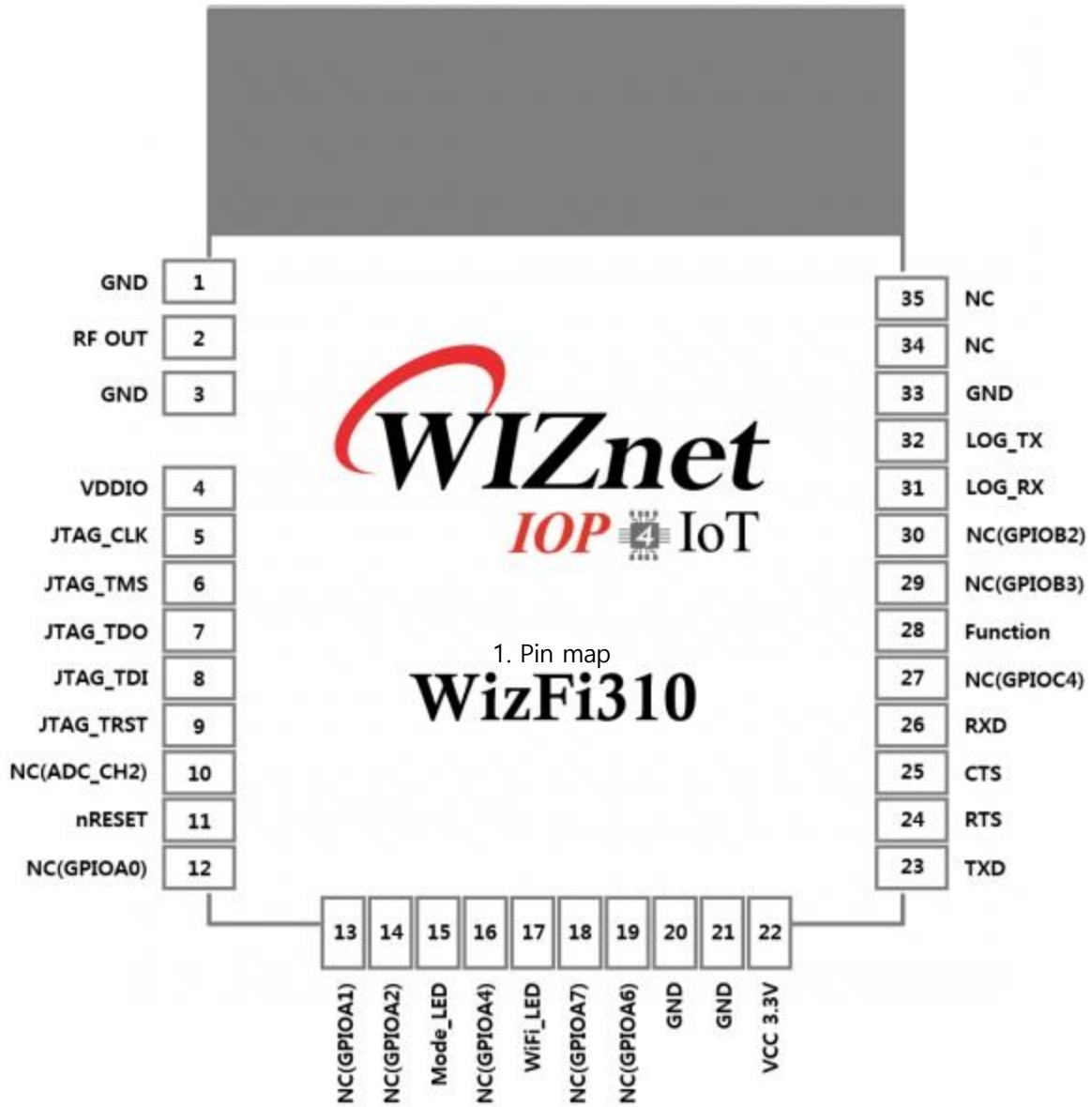


Figure 1. WizFi310 Pin Layout

1.2 Pin description

Table 2. WizFi310 Pin Description

| Pin No | Name | Type | Description |
|--------|------------|------|--|
| 1 | GND | - | Ground |
| 2 | RF_OUT | - | 2.4GHz RF output |
| 3 | GND | - | Ground |
| 4 | VDDIO | - | 3.3V for Digital IO or Digital blocksd |
| 5 | JTAG_CLK | - | For normal operation, if JTAG is not used, this pin can be lenft unconnected (NC) |
| 6 | JTAG_TMS | - | For normal operation, if JTAG is not used, this pin can be left unconnected (NC) |
| 7 | JTAG_TDO | - | For normal operation, if JTAG is not used, this pin can be left unconnected (NC) |
| 8 | JTAG_TDI | - | For normal operation, if JTAG is not used, this pin can be left unconnected (NC) |
| 9 | JTAG_TRST | - | For normal operation, if JTAG is not used, this pin can be left unconnected (NC) |
| 10 | NC(ADC) | - | - |
| 11 | Reset | - | Module reset pin(Active low) |
| 12 | NC(GPIOA0) | - | Ground |
| 13 | NC(GPIOA1) | - | - |
| 14 | NC(GPIOA2) | - | - |
| 15 | Mode LED | - | - |
| 16 | NC(GPIOA4) | - | - |
| 17 | WIFI LED | - | - |
| 18 | NC(GPIOA7) | - | - |
| 19 | NC(GPIOA6) | - | - |
| 20 | GND | - | Ground |
| 21 | GND | - | Ground |
| 22 | VCC 3.3V | - | 3.3V power supply |
| 23 | TXD | - | Serial data communication interface send |
| 24 | RTS | - | Serial flow control pin, ready to receive data / request the other party to send data (Active low) |
| 25 | CTS | - | Serial flow control pin , ready to receive data / request each other to send data (Active low, High level cannot send / Low level can send data) |

| | | | |
|----|------------|---|---|
| 26 | RXD | - | Serial data communication interfece receive |
| 27 | NC(GPIOA7) | - | - |
| 28 | FUNC | - | - |
| 29 | NC(GPIOB3) | - | - |
| 30 | NC(GPIOA7) | - | - |
| 31 | NC(GPIOA7) | - | - |
| 32 | NC(GPIOA7) | - | - |
| 33 | NC(GPIOA7) | - | Ground |
| 34 | NC(GPIOA7) | - | - |
| 35 | NC(GPIOA7) | - | - |

2. Electrical Specification

2.1 General specification

| ITEMS | CONTENTS |
|-----------------------|------------------------------------|
| Operating frequency | 2.400 - 2.4835Ghz |
| WiFi standard | 802.11b/g/n |
| Modulation | 11b: DBPSK,DQPSK and CCK and DSSS |
| | 11g: BPSK,QPSK16Qam,64QAM and OFDM |
| | 11n: MCSO-15 OFD |
| Data rates | 11b: 1,2,5.5 and 11Mbps |
| | 11g:6,9,12,18,24,36,48, and 54Mbps |
| | 11n:MCSO-15, up to 150Mbps |
| Host interface | UART |
| Demension | Typical (L x W): 21mm x 18mm |
| Operation Temperature | -20° C to +85° C |
| Storage Temperature | -55° C to +125° C |
| Operation Voltage | 3.3V±0.2V |

o

2.2 802.11g Mode

| ITEMS | CONTENTS | | | | |
|---------------------------------------|----------------------------------|---------|---------|-------|-------|
| Specification | IEEE802.11g | | | | |
| Mode | OFDM | | | | |
| Channel | CH1 to CH13 | | | | |
| Data rate | 6, 9, 12, 18, 24, 36, 48, 54Mbps | | | | |
| Power level(calibrated) | Minimum | Typical | Maximum | Unit. | Note. |
| 16dBm Target(For each antenna Port) | 12 | 14 | 16 | dBm | |
| Constellation error(EVM)@target power | Minimum | Typical | Maximum | Unit. | Note. |
| 54Mbps | | -30 | -28 | dB | |
| Frequency error | -25 | 0 | +25 | khZ | |
| Minimum input level sensitivity | Minimum | Typical | Maximum | Unit. | Note. |
| MCS7(PER ≤ 10 %) | - | -78 | - | dBm | |
| Maximum input level(PER ≤ 10 %) | - | -10 | - | dBm | |

2.3 802.11g HT20 Mode

| ITEMS | CONTENTS | | | | |
|--|--|---------|---------|-------|-------|
| Specification | IEEE802.11n HT20@2.4Ghz | | | | |
| Mode | OFDM | | | | |
| Channel | CH1 to CH13 | | | | |
| Data rate | MCS0/1/2/3/4/5/6/7/8/9/10/11/12/13/14/15 | | | | |
| Power level(calibrated) | Minimum | Typical | Maximum | Unit. | Note. |
| 16dBm Target(For each antenna Port) | 12 | 14 | 16 | dBm | |
| Constellation error(EVM)@target power MCS7 | Minimum | Typical | Maximum | Unit. | Note. |
| | | -30 | -28 | dB | |
| Frequency error | -25 | 0 | +25 | khZ | |
| Minimum input level sensitivity MCS7(PER ≤ 10 %) | Minimum | Typical | Maximum | Unit. | Note. |
| | - | -76 | - | dBm | |
| Maximum input level(PER ≤ 10 %) | - | -10 | - | dBm | |

2.4 802.11g HT40 Mode

| ITEMS | CONTENTS | | | | |
|--|--|---------|---------|-------|-------|
| Specification | IEEE802.11n HT40@2.4Ghz | | | | |
| Mode | OFDM | | | | |
| Channel | CH1 to CH13 | | | | |
| Data rate | MCS0/1/2/3/4/5/6/7/8/9/10/11/12/13/14/15 | | | | |
| Power level(calibrated) | Minimum | Typical | Maximum | Unit. | Note. |
| 16dBm Target(For each antenna Port) | 12 | 14 | 16 | dBm | |
| Constellation error(EVM)@target power MCS7 | Minimum | Typical | Maximum | Unit. | Note. |
| | | -30 | -28 | dB | |
| Frequency error | -25 | 0 | +25 | khZ | |
| Minimum input level sensitivity MCS7(PER ≤ 10 %) | Minimum | Typical | Maximum | Unit. | Note. |
| | - | -74 | - | dBm | |
| Maximum input level(PER ≤ 10 %) | - | -10 | - | dBm | |

2.5 NVM specification

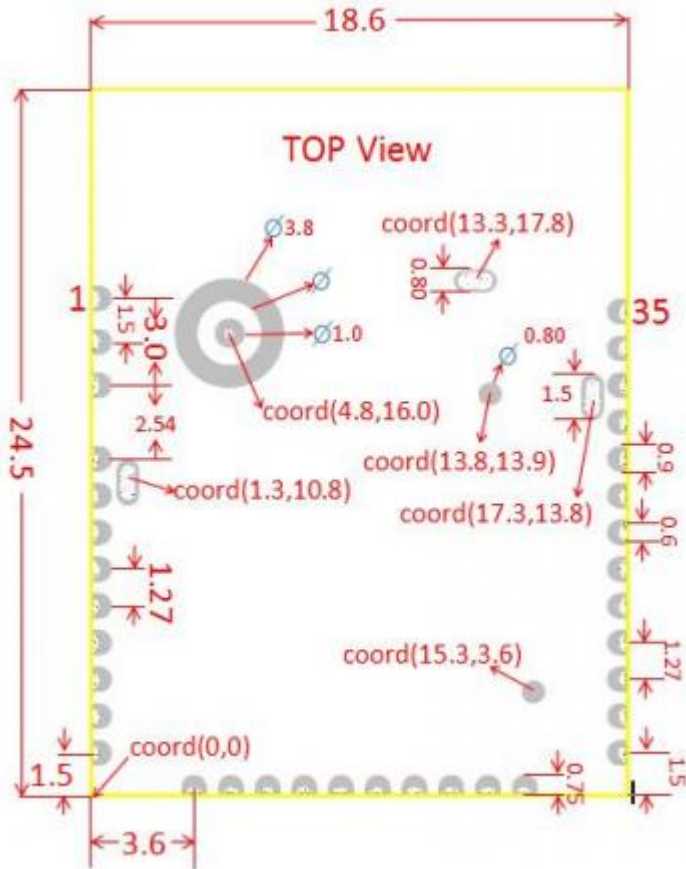
| ITEMS | CONTENTS |
|---------------------|-------------------|
| Specification | NVM Flash |
| Space | 160KByte |
| Operate write times | Total 10000 times |

Note: NVM flash is used to store user configuration or firmware, do not use to store these often changed configuration or user data.

2.6 Power Consumption

| State | Current(3.3V) | Description |
|-------------------------|---------------|--|
| Deep Sleep | 5.5uA | Low Power Timer and GPIO Event Wake up |
| Deep Standby | 25uA | Low Power Timer and GPIO Event Wake up |
| Associated Idle(DTIM=1) | 3.3mA | Associated with AP but no traffic |
| Associated Idle(DTIM=2) | 2.41mA | Associated with AP but no traffic |
| Associated Idle(DTIM=3) | 1.98mA | Associated with AP but no traffic |
| Sleep | 0.5mA | Associated with AP but no traffic |
| Run in active clock | 25mA | CPU full run, UART available,WiFi is disable |
| 11n RX mode | 62mA | CPU full run, UART available,WiFi is in 11n RX |
| 11n TX mode@13dBm | 162mA | CPU full run, UART available,WiFi is in 11n RX |
| Peak current | 240mA | CPU full run, UART available,WiFi is in 11n RX |

3. Dimensions



| Type | Thickness (Height) |
|----------|--------------------|
| with CAN | 3.15 (+/-) 0.15mm |

4 Reference schematic

