

CHARGE CONNECTORS PIGTAILS



IEC62196 Type II
Rubber Over Mold

CHARGE CONNECTOR BENEFITS

- Superior durability
- Vehicle to charging station connection
- UL / CE / VDE marking / certification

PIGTAIL FEATURES

- SAE J1772/IEC62196 Type I, IEC62196 Type II, and GB/T 20234 standards
- EVSE provides restart in the event of power grid fault
- Wiring crimps sealed from environment



AVAILABLE CONFIGURATIONS

Phase	1-phase or 3-phase
Design	Plastic or rubber over mold
Current	18 - 40A
Mark	UL, CE, or VDE



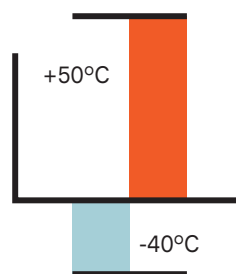
APPLICATIONS

Grid-to-vehicle & infrastructure to vehicle charging

MAX CURRENT & VOLTAGE



TEMPERATURE



18A
to
40A

120V
to
480V



SEALING CLASS

IPX7

Sealed

See back page for representative part numbers.

About Aptiv

Aptiv is a global technology company that develops safer, greener and more connected solutions, which enable the future of mobility. Headquartered in Dublin, Aptiv has 147,000 employees and operates 14 technical centers, as well as manufacturing sites and customer support centers in 45 countries.


Visit aptiv.com

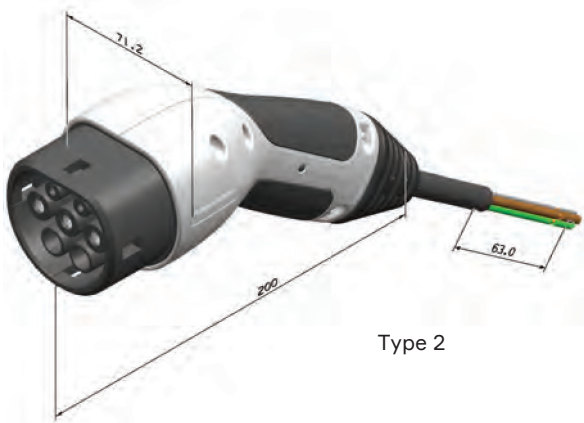
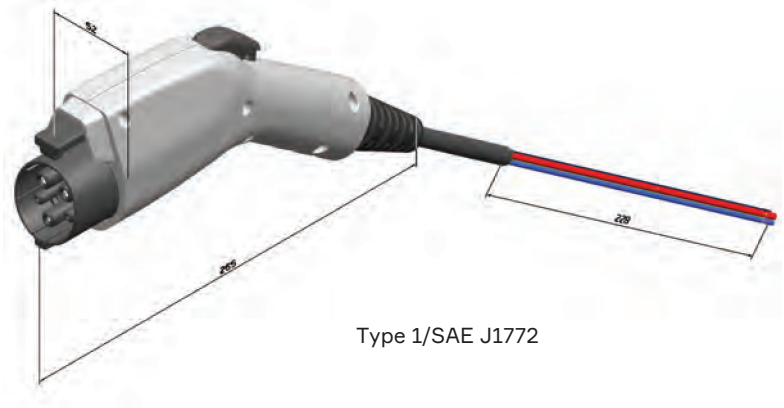
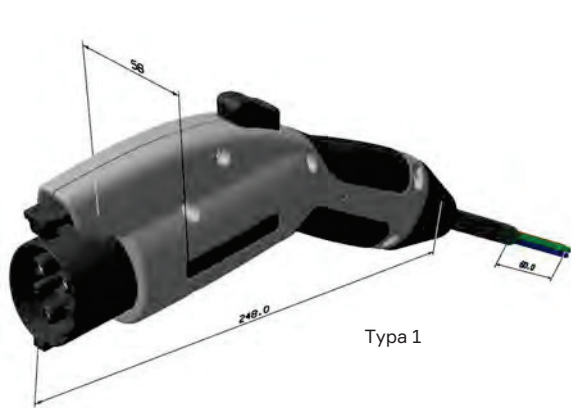




Current	Type (veh / wall)	Design	# Phase	Cable Length (m/ft)	Cable Sections	Mark	Part Number
18A	Type 1/SAE J1772	Plastic Handle	1 - phase	7.0/23	3G AWG 14 + 0.8	UL	33248422
25A	Type 1/SAE J1772	Plastic Handle	1 - phase	7.6/25	3G AWG 12 + 0.8	UL	33248425
40A	Type 1/SAE J1772	Plastic Handle	1 - phase	7.6/25	3G AWG 10 + 0.8	UL	35078184
20A	Type 1	Rubber Over Mold	1 - phase	5.0/16.40	3G2.5 + 0.5	CE	33155748
20A	Type 2	Rubber Over Mold	1 - phase	5.0/16.40	3G2.5 + 0.5	CE	33155747
20A	Type 2	Rubber Over Mold	3 - phase	5.0/16.40	5G2 + 0.5	CE	33155746
32A	Type 2	Rubber Over Mold	3 - phase	5.0/16.40	5G6 + 0.5	CE	33155745
16A	Type 2	Plastic Handle	1 - phase	6.5/21.32	3G2.5 + 0.75	CE	33502596

For more specific information please contact your Aptiv representatives.

 DIMENSION MEASUREMENT SAMPLE



 MATES WITH



The dimensions are in mm.

Part numbers, specifications, dimensions and performance data in this document are for general references only and are subject to change without notice. To verify product information, please contact an Aptiv representative.